

"For Motor Starting Use Schneider Electric Overload Relay Series LR".

⚠️ DANGER

HAZARD OF ELECTRIC SHOCK, EXPLOSION, OR ARC FLASH

Disconnect all power before servicing equipment.

Failure to follow these instructions will result in death or serious injury.

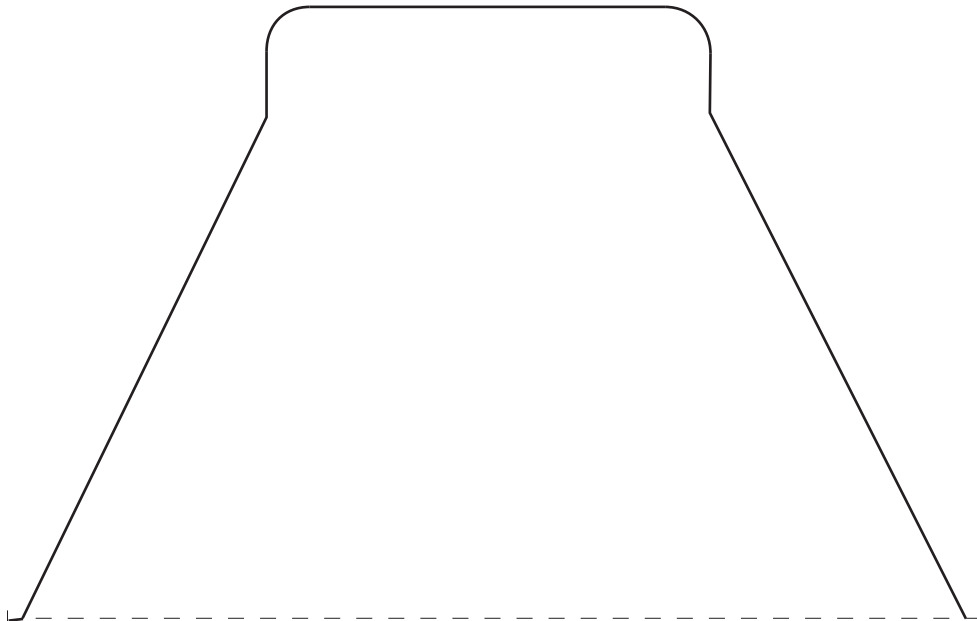
⚠️ WARNING

RISK OF FIRE OR ELECTRIC SHOCK (FOR CONTACTOR WITH UL HI-FAULT SHORT CIRCUIT CURRENT RATINGS ONLY)

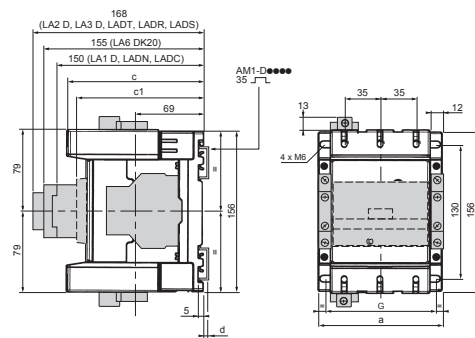
The opening of the branch-circuit protective device may be an indication that a fault current has been interrupted.

To reduce the risk of fire or electric shock, current-carrying parts and the other components of the controller should be examined and replaced if damaged.

Failure to follow these instructions can result in death, serious injury, or equipment damage.



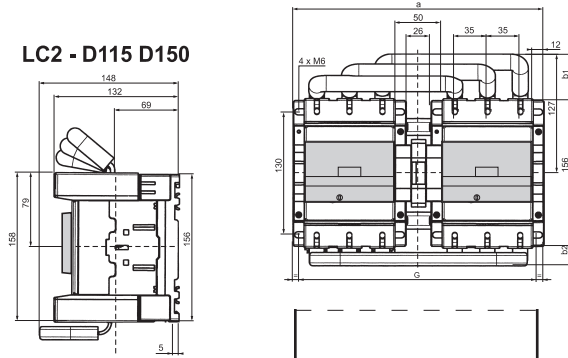
LC1 - D115 D150



inches = mm x 0,0394

			LC1	
mm			3P	4P
a	D115		120	155
c	D115	••	132	132
	D115	•••6	115	115
	D150	••	132	-
	D150	•••6	115	-
c1	D1156		122	122
	D1506		122	-
G	D115		96/110	130/144
	D150		96/110	-
d	AM1-DP200		2	2
	AM1-DE200		9,5	9,5

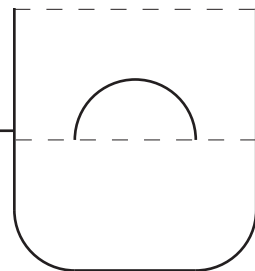
LC2 - D115 D150

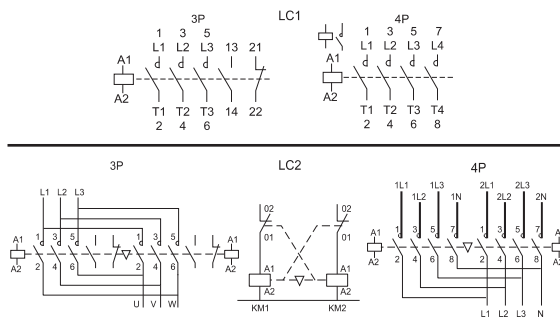
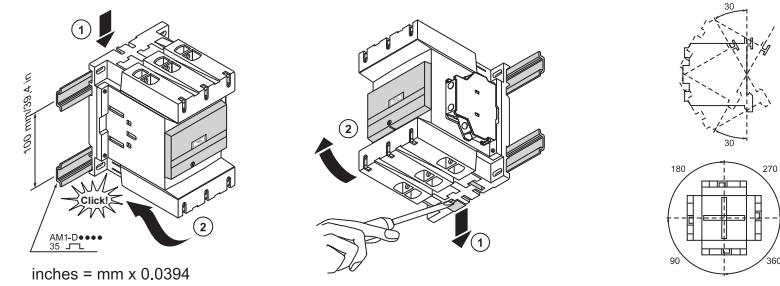
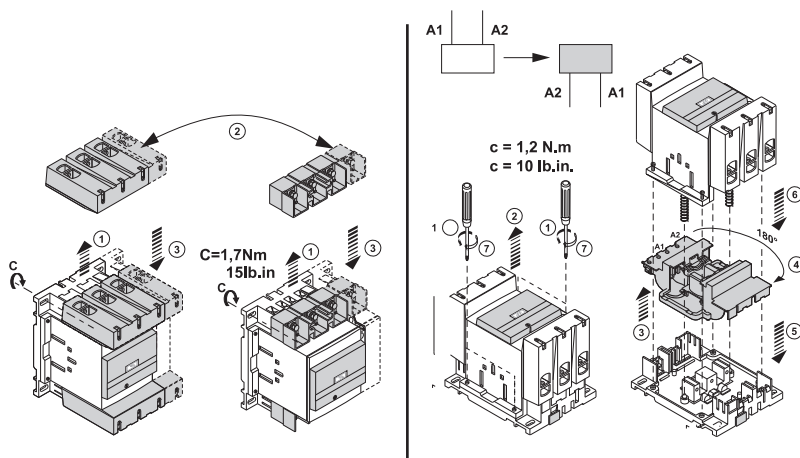


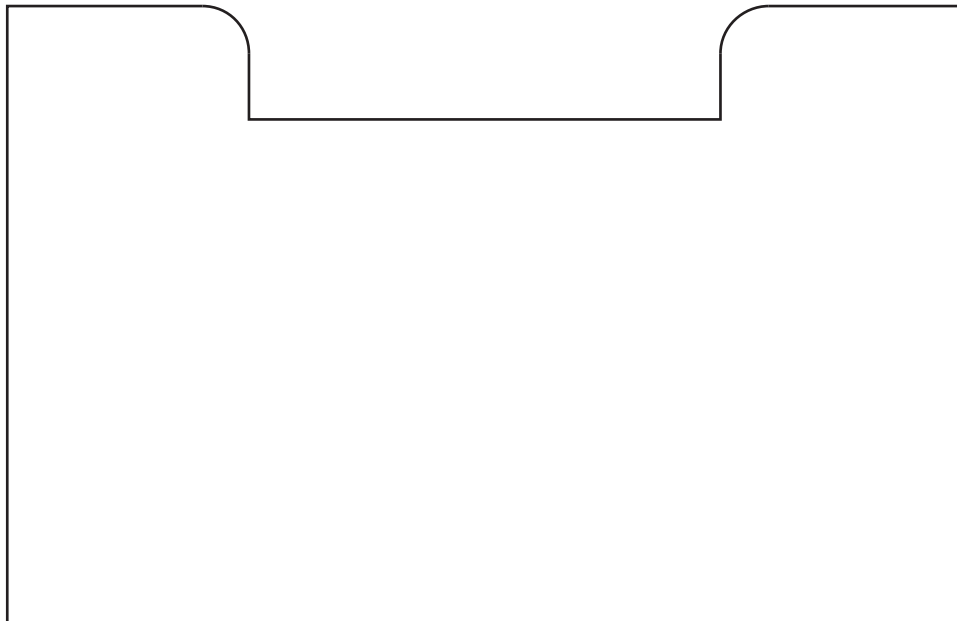
inches = mm x 0,0394

			LC2	
mm			3P	4P
a			266	334
b1			56	-
b2			18	60
c	D115		148	148
	D150		242/256	310/324
G	D115		242/256	310/324
	D150		242/256	-

Schneider Electric Industries SAS
35 Rue Joseph Monier
92506 Rueil Malmaison
France







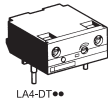
					AWG	AWG			Philips n 2		
	[mm ²]	[mm ²]	[mm ²]	[mm ²]			[mm ²]	[mm ²]	[mm]	[mm]	
D 115 D 150	10 120	10...120 +	10 120	10...120 +	8...250 MCM	8...250 MCM	10 120	10...120 +		4	12 [±] N.m 100 ^{±9} lb.in.
LX-D LA-D	1...2,5	1...2,5 +	1...2,5 +	1...2,5 +	18...14	18...14	1...2,5	1...2,5 +	Ø6 mm		1.2 N.m 10 lb.in.

					Philips n 2		
	[mm]	[mm]	[mm]	[mm]	[mm]	[mm]	
D 115...6 D 150...6	-	M8	25	25		13	12 [±] N.m 100 ^{±9} lb.in.
LX-D LA-D	M3,5	-	8		Ø6 mm		1.2 N.m 10 lb.in.

产品中有毒有害物质或元素的名称及含量 / Contents of Toxic or Hazardous Substances or Elements						
部件名称 Part Name	有毒有害物质或元素 Toxic or hazardous Substances and Elements					
	铅 (Pb)	汞 (Hg)	镉 (Cd)	六价铬 (Cr ⁶⁺)	多溴联苯 (PBB)	多溴二苯醚 (PBDE)
电子电路板 Electronics Board	X	O	O	O	O	O
<p>O : 表示该有毒有害物质在该部件所有均质材料中的含量均在 SJ/T11363-2006 标准规定的限量要求以下。 Indicates that this toxic or hazardous substance contained in all of the homogeneous materials for this part is below the limit requirement in SJ/T11363-2006.</p> <p>X : 表示该有毒有害物质至少在该部件的某一均质材料中的含量超出 SJ/T11363-2006 标准规定的限量要求。 Indicates that this toxic or hazardous substance contained in at least one of the homogeneous materials used for this part is above the limit requirement in SJ/T11363-2006</p> <p>对销售之日的所售产品本表显示 施耐德电气供应链的电子产品信息产品可能包含这些物质。注意 在所售产品中可能会也可能不会含有所有所列的部件。 Note: The products on sale may or may not contain all the parts/components listed here.</p>						

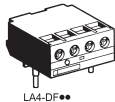
3P AC TeSys D contactors (LC1D115 -> LC1D150) are grade 2 according to GB 21518.
Maximum power consumption lower than 36.6 VA.
根据GB 21518标准, 三相 TeSys D系列交流接触器 (LC1D115 -> LC1D150)
能效等级为2级, 产品最大吸持功率低于36.6 VA

Temporisateur série : travail
 Serial timer : on-delay
 Ansprechverzögerter Timer
 Temporizzatore serie : travaglio
 Temporizador serie : trabajo
 Temporizador serie : trabalho



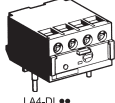
LA4-DT ●●

Interface à relais
 Relay interface
 Relais-Interface
 Interfaccia a rele
 Interface a rele



LA4-DF ●●

Auto - 1



LA4-DL ●●

Interface statique
 Solid state interface
 Statisches Interface
 Interfaccia statiche
 Interface estatico

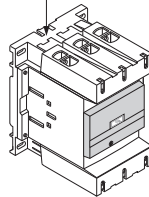


LA4-DW ●●

Auto - 0 - 1



LA4-DM ●●



	3P	4P
	LA9D115603B	LA9D115604
	LA9D115503B	LA9D115504
	LA9D115703	LA9D115704
	(D115) LA5D11550B (D150) LA5D15050B	(D115) LA5D115450
	(D115) LA5D115803 (D150) LA5D150803	(D115) LA5D115804
	LA9ET4	

www.schneider-electric.com
 W9 1378174 0411 A04
 04 - 2016