

# Pendant Light Fitting Series PVM LED

(for harsh industrial applications)

## The powerful pendant light fittings in LED technique PVM 3/5/7/9/11/13/17/21/25 L

The energy-saving PVM light fittings with LED technology are ideal for all general lighting applications in industrial areas with harsh environmental conditions as vibrations, dust, moisture, corrosive atmospheres and extreme temperatures.

## Replacement of conventional light fittings from 70 W up to 1000 W

With the integrated high-power LED technology and a power consumption from 29 W up to 232 W these lights can be used to replace comparable conventional light sources with an equivalent capacity of up to 1000 W.

## LED technique for harsh operation conditions

Due to the particularly solid construction of the housing and the vibration resistance of the LED module, the PVM is resistant to impact, shock and vibration. As a result, it represents the ideal lighting concept for use in areas with difficult environmental conditions.

## Wide temperature range for extreme conditions

Thanks to temperature range from - 40 °C up to +65 ° the light fittings can be used in many applications.

## Best lighting technology for numerous applications

PVM light fittings are available in 3 different types:

- Type V has a symmetric light distribution and is optimized for general area illumination.
- Type III has an asymmetrical light distribution and is, therefore, suitable for near-edge mounting (wall mounting) for surface illumination
- Type I has a narrow light distribution and is ideal for lighting roads and pathways.



## Features

- High efficient up to 124 lm/W
- Multiple drivers
- High efficient heat sink management for a lifetime up to 60,000 h @ 65 °C
- Wide temperature range from -40 °C up to +65 °C (depending on model)
- High degree of protection IP66 for harsh environment
- Dimmable by control input 0-10 V

## Ordering details

Type	Lamp / Illuminant	Rated luminous flux of the luminaire	Weight	Cable gland / Screw plug thread	Screw plug	Enclosure type	Order No.
<b>PVM LED Lamp module with LEDs (without top mounting module, please order separately)</b>							
 Gehäuse Größe 1	PVM 3L LED	29 W Type V	3,531 lm	8.1 kg	–	–	1 2404 400
	PVM 5L LED	41 W Type V	5,256 lm	8.1 kg	–	–	1 2407 746
	PVM 7L LED	54 W Type V	7,120 lm	8.1 kg	–	–	1 2407 745
	PVM 9L LED	74 W Type V	9,134 lm	8.1 kg	–	–	1 2409 889
	PVM 11L LED	89 W Type V	11,034 lm	8.1 kg	–	–	1 2408 233
 Gehäuse Größe 2	PVM 13L LED	130 W Type V	13,266 lm	16.3 kg	–	–	1 2429 488
	PVM 17L LED	168 W Type V	18,793 lm	16.3 kg	–	–	1 2430 349
	PVM 21L LED	196 W Type V	22,110 lm	20.0 kg	–	–	1 2430 452
	PVM 25L LED	232 W Type V	26,531 lm	20.0 kg	–	–	1 2430 455
	 Gehäuse Größe 3	PVM 3L LED	29 W Type I	3,531 lm	8.1 kg	–	–
PVM 5L LED		41 W Type I	5,256 lm	8.1 kg	–	–	1 2414 517
PVM 7L LED		54 W Type I	7,120 lm	8.1 kg	–	–	1 2414 526
PVM 9L LED		74 W Type I	9,134 lm	8.1 kg	–	–	1 2414 534
PVM 11L LED		89 W Type I	11,034 lm	8.1 kg	–	–	1 2414 542
PVM 13L LED		130 W Type I	13,266 lm	16.3 kg	–	–	1 2430 347
PVM 17L LED		168 W Type I	18,793 lm	16.3 kg	–	–	1 2430 450
PVM 21L LED		196 W Type I	22,110 lm	20.0 kg	–	–	1 2430 453
PVM 25L LED		232 W Type I	26,531 lm	20.0 kg	–	–	1 2430 456
		PVM 3L LED	29 W Type III	3,531 lm	8.1 kg	–	–
	PVM 5L LED	41 W Type III	5,256 lm	8.1 kg	–	–	1 2414 518
	PVM 7L LED	54 W Type III	7,120 lm	8.1 kg	–	–	1 2407 564
	PVM 9L LED	74 W Type III	9,134 lm	8.1 kg	–	–	1 2414 535
	PVM 11L LED	89 W Type III	11,034 lm	8.1 kg	–	–	1 2414 543
	PVM 13L LED	130 W Type III	13,266 lm	16.3 kg	–	–	1 2430 348
	PVM 17L LED	168 W Type III	18,793 lm	16.3 kg	–	–	1 2430 451
	PVM 21L LED	196 W Type III	22,110 lm	20.0 kg	–	–	1 2430 454
	PVM 25L LED	232 W Type III	26,531 lm	20.0 kg	–	–	1 2430 457
	<b>PVM LED top mounting module, (without lamp module, please order separately)</b>						
	JM5 <sup>1)</sup>	Top mounting module for 1½" pole mounting, 25°		1.6 kg	1 x 3/4" thread	–	22 250
	PM5	Top mounting module for 1½" pole mounting, straight		2.0 kg	1 x 3/4" thread	–	00 080
	CM20	Top mounting module for M20 ceiling mounting		1.3 kg	4 x M20 thread	4 x M20	1 1843 088
	TWM20	Top mounting module for M20 wall mounting		2.0 kg	4 x M20 thread	4 x M20	1 1832 237
	S812	mounting bracket (can only be used with top mounting module CM20)		1.0 kg	–	–	1 2268 927
<b>JGA (cable adaptor 1½" for pole mounting)</b>							
	JGA5520	Adapter 1½" for top mounting module JM5 and PM5 for insertion of a cable gland M20		0.45 kg	1x M20 thread	–	11826774

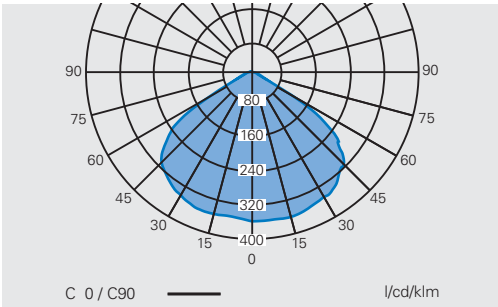
<sup>1)</sup> only for PVM 3L-11L

Scope of delivery without fixing accessories, if not stated otherwise. Metal cable glands see main catalogue part 2: 2.3.12 ff  
Further mounting material on request

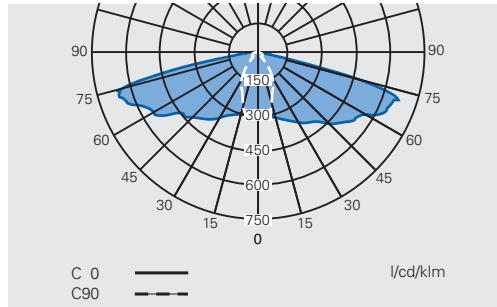
# Polar curve / Dimension drawing

PVM LED for harsh industrial applications

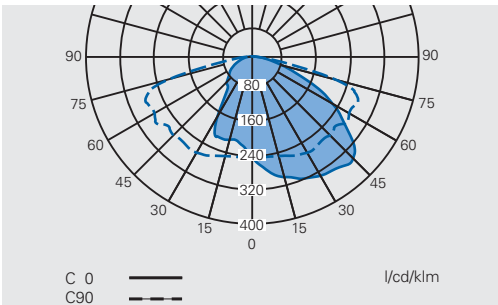
**Polar curve PVM LED type V**



**Polar curve PVM LED type I**

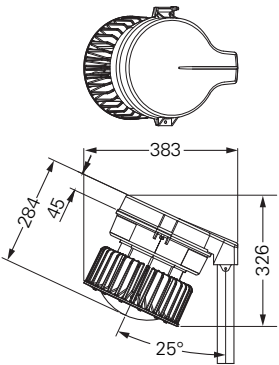


**Polar curve PVM LED type III**

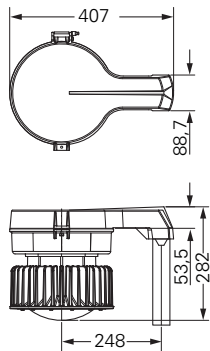


## Dimension drawings PVM LED

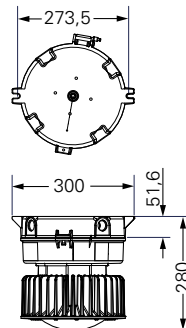
**with top mounting module JM5**



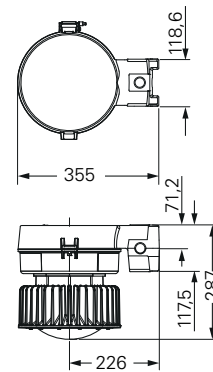
**with top mounting module PM5**



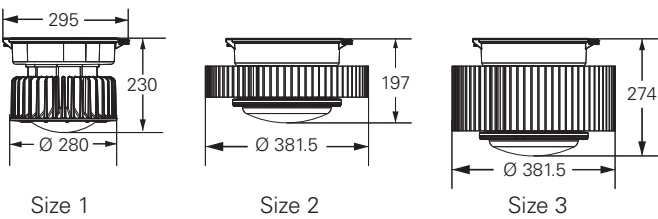
**with top mounting module CM20**



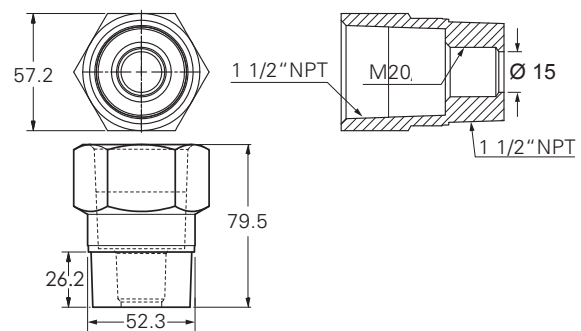
**with top mounting module TWM20**



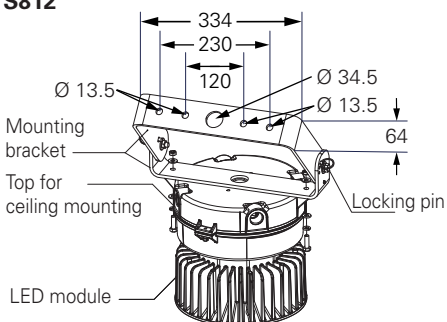
## Lamp module



## Cable adaptor for pole mounting JGA5520



## Mounting bracket S812



Dimensions in mm



### Technical data

	PVM 3L - 11L LED	PVM 13L - 17L LED	PVM 20L - 25L LED
Permissible ambient temperature	-40 °C up to +65 °C	-40 °C up to +55 °C	-40 °C up to +55 °C
Lifetime fixtures	L80 B10 - 200,000 h at $t_a = +25$ °C L80 B10 - 60,000 h at $t_a = +65$ °C	L80 B10 - 170,000 h at $t_a = +25$ °C L80 B10 - 60,000 h at $t_a = +55$ °C	L80 B10 - 170,000 h at $t_a = +25$ °C L80 B10 - 60,000 h at $t_a = +55$ °C
Rated voltage	100 - 277 V AC; 108 - 250 V DC	100 - 277 V AC; 108 - 250 V DC	100 - 277 V AC; 108 - 250 V DC
Frequency	50 - 60 Hz	50 - 60 Hz	50 - 60 Hz
Power	<sup>1)</sup>	<sup>1)</sup>	<sup>1)</sup>
Power factor cos $\phi$	>0.9	>0.9	>0.9
Circuit	electronic driver	electronic driver	electronic driver
Protection class	I	I	I
Lamp / Illuminant	LED system, scope of delivery	LED system, scope of delivery	LED system, scope of delivery
Light colour/CRI	5000 K / $R_a$ 70; 3000 K / $R_a$ 80 on request	5000 K / $R_a$ 70; 3000 K / $R_a$ 80 on request	5000 K / $R_a$ 70; 3000 K / $R_a$ 80 on request
Rated luminous flux of the luminaire	<sup>1)</sup>	<sup>1)</sup>	<sup>1)</sup>
Dimensions (L x W x H)	280 x 295 x 230 mm	381 x 381 x 197 mm	381 x 381 x 274 mm
Terminals	L, N, PE, max. 1 x 2,5 mm <sup>2</sup> dimmer, 2 x 2,5 mm <sup>2</sup> max.	L, N, PE, max. 1 x 2,5 mm <sup>2</sup> dimmer, 2 x 2,5 mm <sup>2</sup> max	L, N, PE, max. 1 x 2,5 mm <sup>2</sup> dimmer, 2 x 2,5 mm <sup>2</sup> max
Enclosure colour	grey/black	grey/black	grey/black
Enclosure material	copper-free aluminium with epoxy-powder coating	copper-free aluminium with epoxy-powder coating	copper-free aluminium with epoxy-powder coating
Weight	8.1 kg	16.3 kg	20.0 kg
Degree of protection accd. to EN 60529	IP66	IP66	IP66
Protective cover / protective bowl	heat- and impact resistant glass <sup>2)</sup>	heat- and impact resistant glass <sup>2)</sup>	heat- and impact resistant glass <sup>2)</sup>

<sup>1)</sup> See Ordering details on page 5

<sup>2)</sup> Opaque cover and version in polycarbonate on request