



Enclosed star-delta starters
M3P01270

Product designation

Product type designation

Electrical features

Maximum operating current ($\leq 440V$) A 22

Components

Starter enclosure standard supplied M3PA70

Contactor standard supplied BF1210A, BF1201A, BF0910A

Thermal relay to purchase separately RF38...

Auxiliary contact standard supplied BFX1020, ..., BFX1011

Contact characteristics

IEC standard motor powers

230V	kW	5.5
400V	kW	11
440V	kW	11
500V	kW	11

Mechanical features

Weight g 3540

Ambient conditions

Operating temperature

min	°C	-25
max	°C	+60

Storage temperature

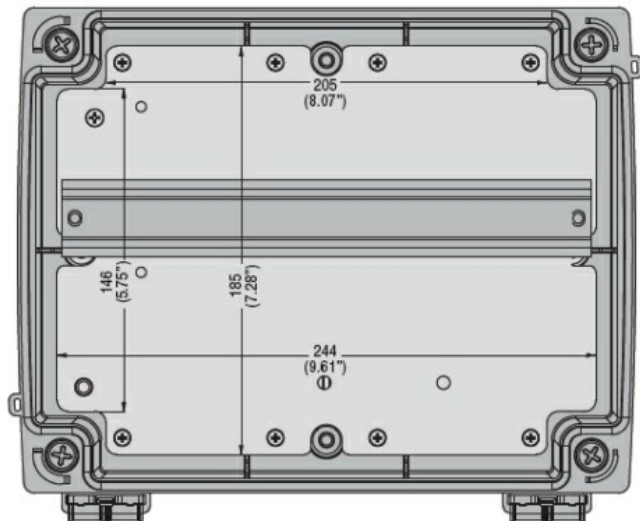
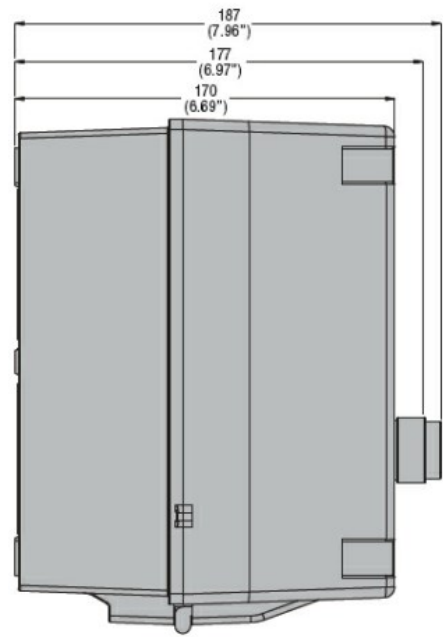
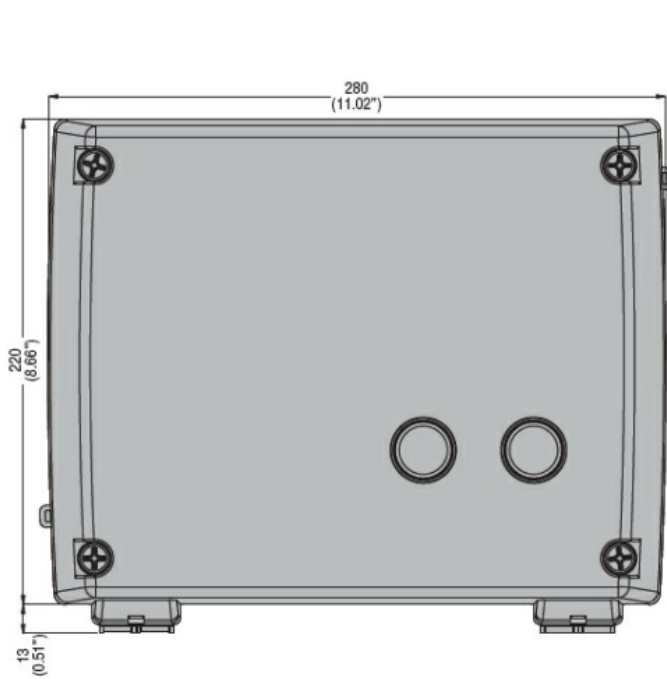
min	°C	-40
max	°C	+70

Resistance & Protection

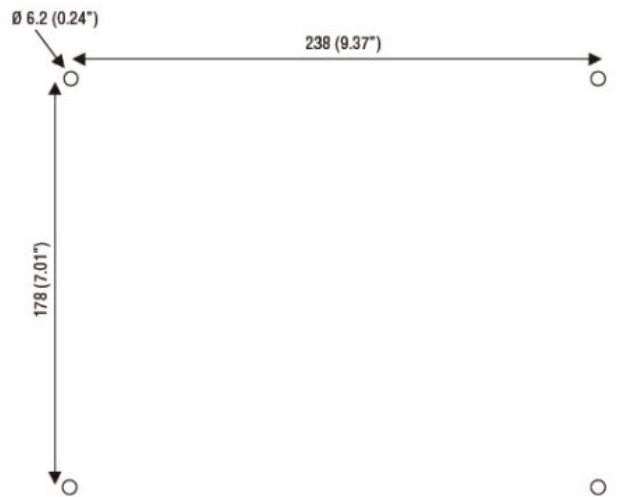
Frontal IP degree IP65

Dimensions

STAR-DELTA STARTER, ENCLOSED STARTER, WITH START AND STOP/RESET BUTTONS.
STARTING TIME UP TO 12 SECONDS AND A MAXIMUM OF 30 OPERATIONS/HOUR, MAX IEC
OPERATING CURRENT 22A. COIL VOLTAGE 220VAC 60HZ

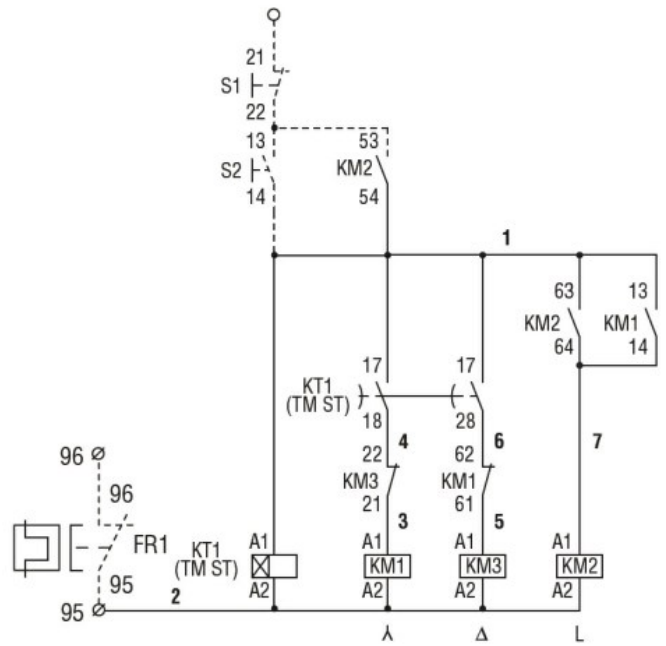
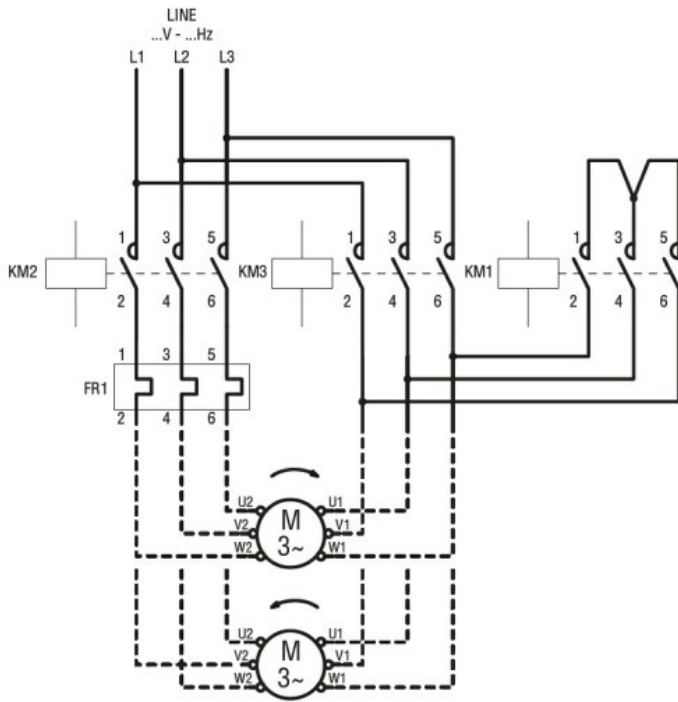


Drilling for surface fixing



Wiring diagrams

STAR-DELTA STARTER, ENCLOSED STARTER, WITH START AND STOP/RESET BUTTONS.
 STARTING TIME UP TO 12 SECONDS AND A MAXIMUM OF 30 OPERATIONS/HOUR, MAX IEC
 OPERATING CURRENT 22A. COIL VOLTAGE 220VAC 60HZ



ETIM classification

ETIM 8.0

EC001037 -
 Motor
 starter/Motor
 starter
 combination