

PanView iQ™ (PViQ™) 12V Power Supply

specifications

The PViQ™ Power Supply shall provide 12V DC power to a single PViQ™ System, consisting of one panel manager and three expansion modules. The power supply shall connect to the Panel Manager, which then branches the power to the expansion modules. Geographic-specific models of the Power Supply are available, provided with an AC power cord specific to each region.



technical information

Dimensions:	1.32"H x 4.33"W x 2.13"D (34mm x 110mm x 54mm)
Weight:	0.924 lbs. (0.42 kg)
Input voltage:	100 to 250V AC
Input frequency:	47 to 63 Hz
Output voltage:	12V DC +/- 0.6V
DC output power:	30W for -S, -J, and -C 36W for -E, -U, and -UNI
DC output connector:	2.1mm (inside diameter) x 5.5mm (outside diameter) barrel plug right angle (center = positive)
DC output current:	2.5A Max
DC power cord length:	60" (1524mm) Nominal
AC power cord:	Determined by power supply part number (see page 2)
Packaging:	Includes power supply with attached DC output cord and removable region-specific AC power cord

key features and benefits

Regional power conversion	Five models available with AC power connectors specific to geographic regions
Flexibility	Compact size allows for placement in a variety of zero-RU locations within the cabinet

applications

Panduit's PViQ™ System Hardware, which includes intelligent patch panels, modules, and cabling, seamlessly feeds information directly into the Physical Infrastructure Manager™ (PIM™) Software Platform to provide continuous real-time patch field monitoring and visibility of physical infrastructure connectivity, for enhanced system reliability and security, and capacity management.

The PViQ™ Power Supply converts local AC power to 12V DC electricity to provide regulated power to a PViQ™ Panel Manager and up to three expansion modules.

PanView iQ™ Power Supply

Universal:	PVQ-PS12VDC-UNI
North America:	PVQ-PS12VDC-S
Europe:	PVQ-PS12VDC-E
UK:	PVQ-PS12VDC-U
Japan:	PVQ-PS12VDC-J
China:	PVQ-PS12VDC-C

PanView iQ™ Intelligence Modules

Panel manager (PM):	PVQ-PM
Expansion module (EM):	PVQ-EM

NOTE: PM requires PanView iQ™ Power Supply (not included).

PanView iQ™ Patch Panels

Modular, intelligent, blank 24-port	
Flat unshielded:	PVQ-MIQPU24
Flat shielded:	PVQ-MIQPS24
Angled unshielded:	
	PVQ-MIQAPU24
Angled shielded:	
	PVQ-MIQAPS24

PanView iQ™ Hardware Kits

Kit with (4) PanView iQ™ Patch Panels, (1) PanView iQ™ PM, (3) PanView iQ™ EMs, and accessories

Flat unshielded kit:	
	PVQ-MIQPS96F
Angled unshielded kit:	
	PVQ-MIQPS96A

NOTE: PM requires PanView iQ™ Power Supply (not included).

PanView iQ™ Fiber Trays

Open fiber tray:	PVQ-FMT
MTP[^] singlemode fiber tray:	
	PVQ-FMTMTP-9
OM3 MTP[^] multimode fiber tray:	
	PVQ-FMTMTP-ZX
OM4 MTP[^] multimode fiber tray:	
	PVQ-FMTMTP-ZZ

PanView iQ™ Expansion Port Cables

14":	PVQ-EPC14
20":	PVQ-EPC20
28":	PVQ-EPC28
35":	PVQ-EPC35
43":	PVQ-EPC43

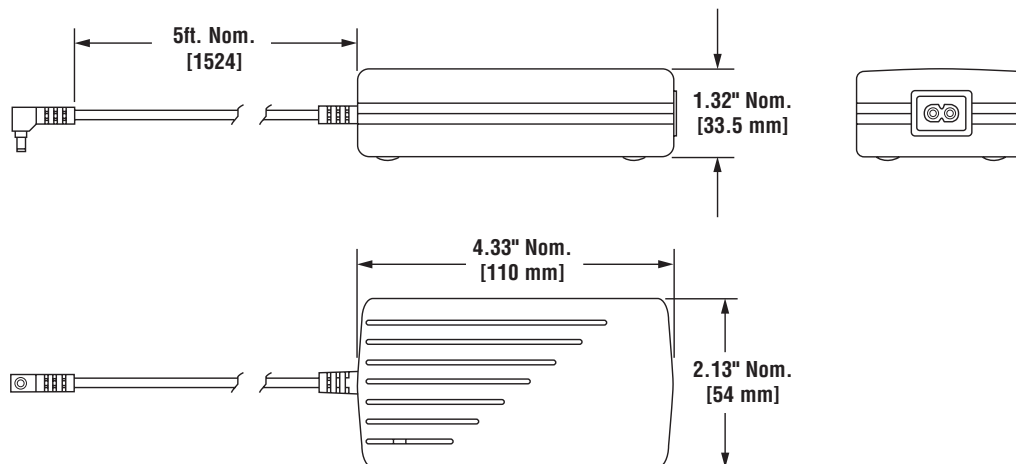
[^]MTP is a registered trademark of US Conec Ltd.

PanView iQ™ (PViQ™) 12V Power Supply

AC Power Cord

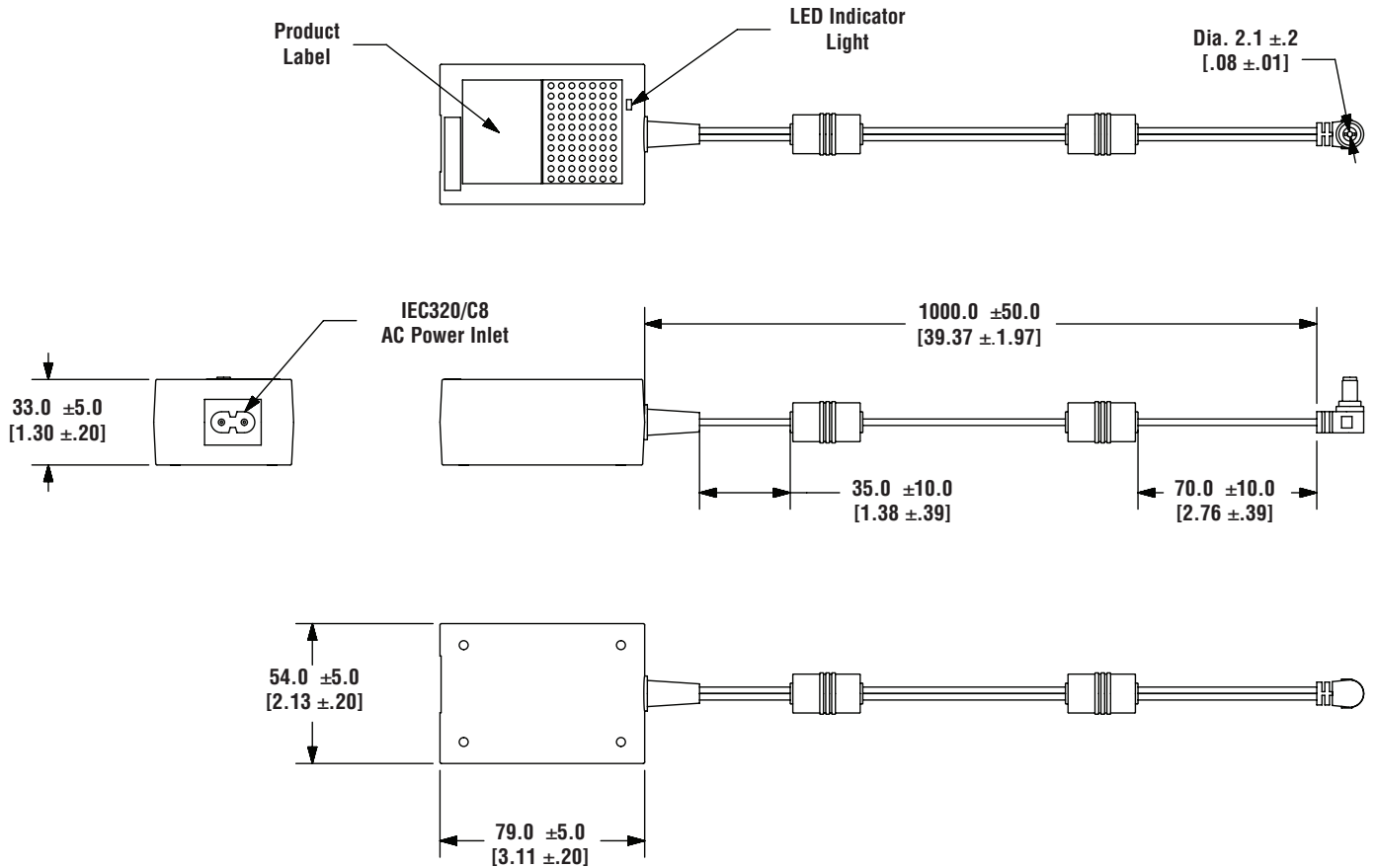
Part Number	Region	Length	AC Power Connectors
PVQ-PS12VDC-S	North America	6 ft. [1830mm]	NEMA 1-15P to IEC 320/C7
PVQ-PS12VDC-E	European Union	6.5 ft. [2000mm]	Schuko CEE 7/16 to IEC 320/C7 and mounting bracket
PVQ-PS12VDC-U	UK	6.5 ft. [2000mm]	BSI1363 (3A) to IEC 320/C7
PVQ-PS12VDC-J	Japan	6 ft. [1830mm]	JIS 8303 to IEC 320/C7
PVQ-PS12VDC-C	China	6 ft. [1830mm]	GB 2099 China 2 to IEC 320/C7
PVQ-PS12VDC-UNI	Universal	6 ft. [1830mm]	IEC 320/C18 to IEC 320/C7 and Schuko CEE 7/16 to IEC 320/C7 to & mounting bracket

Environmental Testing	
<i>Operating Temperature (ambient)</i>	32°F to 122°F (0°C to 50°C)
<i>Operating Humidity</i>	Up to 95%, non-condensing
<i>Storage Temperature</i>	-40°F to 185°F (-40°C to 85°C)
<i>Storage Humidity</i>	Up to 95%, non-condensing
<i>Operating Altitude</i>	-1,000' to 10,000' (-305M to 3,048M)
Regulatory Compliance	
<i>Designed to meet international requirements</i>	USA, Canada, European Union (CE Mark), Japan, China
Electromagnetic Compatibility	
<i>Designed to meet international requirements</i>	USA, Canada, European Union (CE Mark), Japan, China, FCC Part 15 Subpart B Class A limit; ICES-003; CCC CISPR 22; EN 55022 Class A limit; EN 55024
Safety Approvals	
<i>Designed to meet international requirements</i>	USA, Canada, European Union (CE Mark), Japan, China, IEC 60950-1 CB Certificate, UL 60950-1; CAN/CSA c22.2 No. 60950-1; EN 60950-1



The above dimensions are for the 30 W power supply (-S, -J, and -C).
Dimensions are in inches. [Dimensions in brackets are metric].

PanView iQ™ (PViQ™) 12V Power Supply



The above dimensions are for the 36 W power supply (-E, -U, and -UNI).
Dimensions are in inches. [Dimensions in brackets are metric].

WORLDWIDE SUBSIDIARIES AND SALES OFFICES

PANDUIT CANADA
Markham, Ontario
cs@panduit.com
Phone: 800.777.3300

PANDUIT EUROPE LTD.
London, UK
cs-emea@panduit.com
Phone: 44.20.8601.7200

PANDUIT SINGAPORE PTE. LTD.
Republic of Singapore
cs-ap@panduit.com
Phone: 65.6305.7575

PANDUIT JAPAN
Tokyo, Japan
cs-japan@panduit.com
Phone: 81.3.6863.6000

PANDUIT LATIN AMERICA
Guadalajara, Mexico
cs-la@panduit.com
Phone: 52.33.3777.6000

PANDUIT AUSTRALIA PTY. LTD.
Victoria, Australia
cs-aus@panduit.com
Phone: 61.3.9794.9020

For a copy of Panduit product warranties, log on to www.panduit.com/warranty

For more information

Visit us at www.panduit.com

Contact Customer Service by email: cs@panduit.com
or by phone: 800.777.3300

PANDUIT®

©2017 Panduit Corp.
ALL RIGHTS RESERVED.
PVSP65--WW-ENG
3/2017