

Part number

CCFA 4.0



Female crimp contact, CC series, 16 A, turned silver plated, wire cross section 4 mm², AWG 12

Product description

Product type	Crimp contact
Series	CC
Gender	Female

Technical data

Current	16 A
Wire cross-section	4,00 mm ²
AWG size	12
Contact type	Turned silver plated

Further technical details

Weight	1,68 g
Conductors stripping length	7,5 mm

Approvals / Standards

Certifications	CSA, EAC
UL	ECBT2

General ordering information

EAN13 code	8015747011754
eCl@ss 8.1	27440204
ETIM 7.0	EC000796

Packaging Information

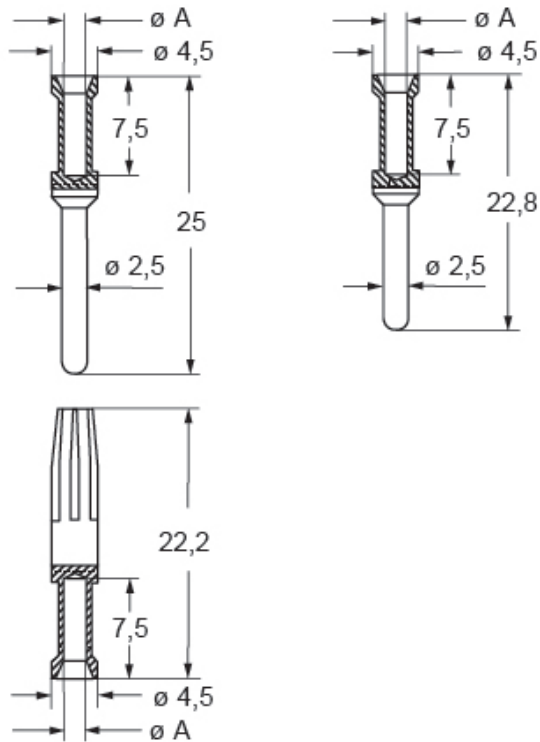
Packaging length	112,00 mm
Packaging height	95,00 mm
Packaging width	117,00 mm
Packaging weight	1,46 kg
Packaging volume	1,24 dm ³
Packaging description	Carton box
Packaging quantity	800 Pcs
Packaging EAN code	8015747103879
Sub-packaging length	50,00 mm
Sub-packaging height	44,00 mm
Sub-packaging width	50,00 mm
Sub-packaging weight	0,18 kg
Sub-packaging volume	0,11 dm ³
Sub-packaging description	Plastic box
Sub-packaging quantity	100 Pcs
Sub-packaging EAN barcode	8015747011761

Part number

CCFA 4.0



Catalogue drawings



CCF, CCM and CC..AN contacts

conductor section mm ²	conductor slot $\varnothing A$ (mm)	conductors stripping length (mm)
0,14-0,37	0,9	7,5
0,5	1,1	7,5
0,75	1,3	7,5
1,0	1,45	7,5
1,5	1,8	7,5
2,5	2,2	7,5
3	2,55	7,5
4	2,85	7,5

Notes

Dimensions shown in mm are not binding and may be changed without notice.

California Proposition 65 Information



WARNING

This product can expose you to lead and its compounds, known to the State of California to cause cancer and/or reproductive toxicity. For more information go to www.P65Warnings.ca.gov.
