



Fixing bases for multicoloured signal towers 70mm/2.75" and signal towers 70mm/2.75" - Horizontal surface mount 8LT7BM01

Product designation

Product type designation

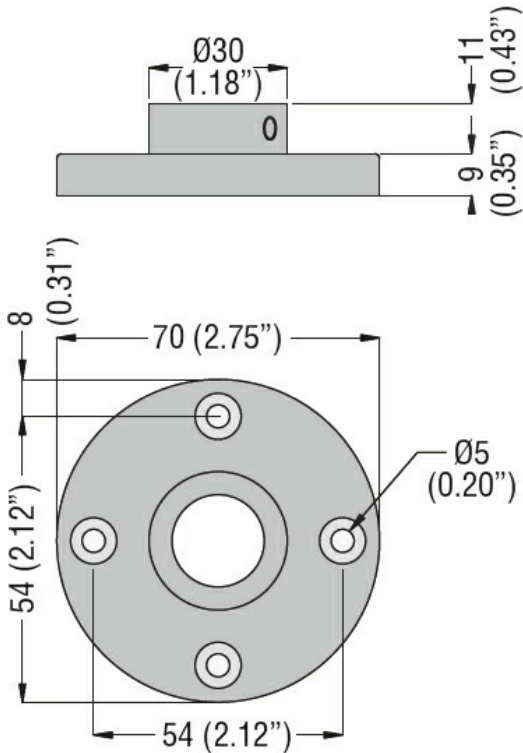
General characteristics

Diameter	mm - inch	70 / 2.75
Colour		Black
Material		Metal

Mechanical features

Weight	g	99
--------	---	----

Dimensions



Certifications and compliance

Compliance /

Certificates /

ETIM classification

ETIM 8.0

EC001259 -
Stand for signal
tower with tube