



Product designation	INDUSTRIAL RELAYS		
Product type designation	HR602C		
<b>Contact characteristics</b>			
Contact configuration	2 C/O		
Rated insulation voltage $U_i$ IEC/EN	V	500	
Rated impulse withstand voltage $U_{imp}$	kV	4	
IEC Conventional free air thermal current $I_{th}$	A	7	
Rated current ( $I_n$ )	A	7	
Relay control voltage	V	48VDC	
Max contrrollable power in	AC-1	W	7
Rated operating power AC-1		VA	1750
Rated operating power AC-15	230 VAC	VA	150
Single-phase motor control	230VAC	kW	0.37
Rated operating current DC-1	30V	A	12
	110V	A	0.3
	220V	A	0.1
Minimum switching load	V / mA	5 / 100	
Contact impedance	m $\Omega$	100	
Contact material	Ag/Ni		
<b>Operating times</b>			
Closing	ms	<25	
Opening	ms	<25	
<b>Operations</b>			
Mechanical life	cycles	20000000	
Electrical life AC1	cycles	100000	
<b>Coil characteristics</b>			
Average coil consumption AC at 20°C	VA	1.7	
Average coil consumption DC at 20°C	W	1.1	
Operating range	Closing	% $U_n$	75...110
	Opening	% $U_n$	10...30
Maximum cycle frequency	cycles/h	3600	
<b>Mechanical features</b>			
Max socket terminal tightening torque	Nm	0.6	
Socket screw tightening tool (cross / flat blade)	PH1 / 4.5mm		
Conductor section	AWG/Kcmil	min	20
		max	14

IEC

min	mm <sup>2</sup>	0.5
max	mm <sup>2</sup>	2.5

Operating position

normal	Any
--------	-----

Fixing

On 35mm DIN rail and with screw

**Ambient conditions**

Temperature

Operating temperature

min	°C	-40
max	°C	+70

Storage temperature

min	°C	-40
max	°C	+80

**Other features**

Indication

Yes

Mechanical contact position indicator

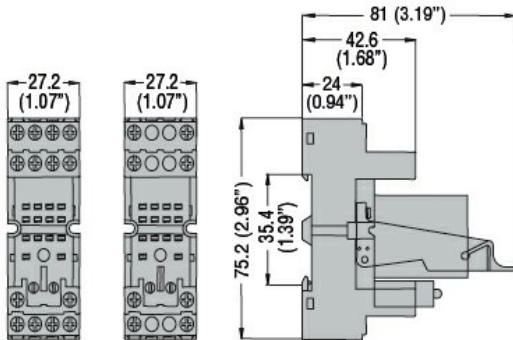
Yes

Mechanical test actuator

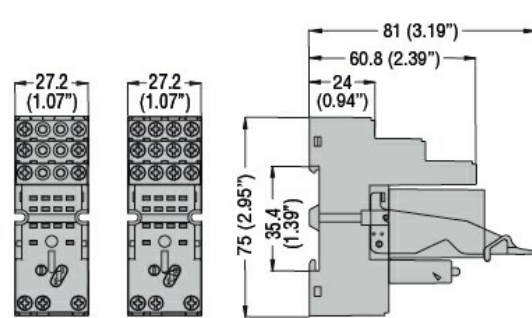
Yes

**Dimensions**

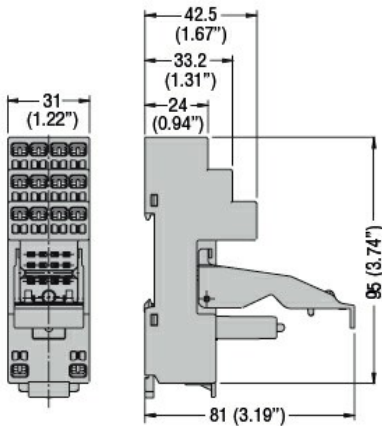
**HR60 2C... with socket HR6XS21 - HR6XS22**



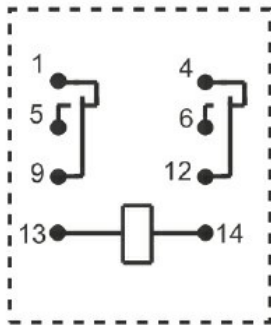
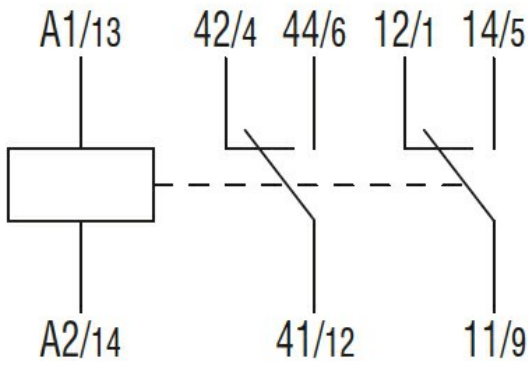
**HR60 4C... with socket HR6XS41 - HR6XS42**



**HR60 2C... - HR60 4C... with socket HR6XS21S - HR6XS41S**



**Wiring diagrams**



**Certifications and compliance**

Compliance

IEC/EN 61810

Certificates

CSA

cURus

EAC

VDE

**ETIM classification**

ETIM 8.0

EC001437 -  
Switching relay