

# Protistor® size 122 aR

2000VDC

## SEMICONDUCTOR PROTECTION FUSES

## SQUARE BODY HIGH-SPEED FUSE-LINKS DC PROTECTION



Mersen DC offers provide a very high performing protection for railway power circuits. Mersen DC Semiconductor fuse-links were developed to provide improved performance required by today's new DC equipment. These fuse-links are typically operated in extreme environment more than other fuse type, have lower I<sup>2</sup>t to minimize damage to protected components on short circuits, lower watts loss and longer life time.

## TECHNICAL DATA OVERVIEW

Voltage DC	2000 VDC
Ampere Range (A)	160 ... 400 A
Speed/Characteristic	aR
Product Size	122
Package	1 unit
Weight	1.81 kg

## FEATURES & BENEFITS

- Extremely fast acting
- Extremely current limiting
- Very low I<sup>2</sup>t
- Worldwide acceptability
- Superior cycling ability

## APPLICATIONS

- Protection of inverters
- Protection of motor drives
- Protection of UPS systems
- Protection of similar 2000V or less equipments
- Railway power and auxiliary circuits

## STANDARDS

- IEC 60269-4 compliance



# Protistor® size 122 aR

## 2000VDC

### PRODUCT RANGE



D122SD20C400QF

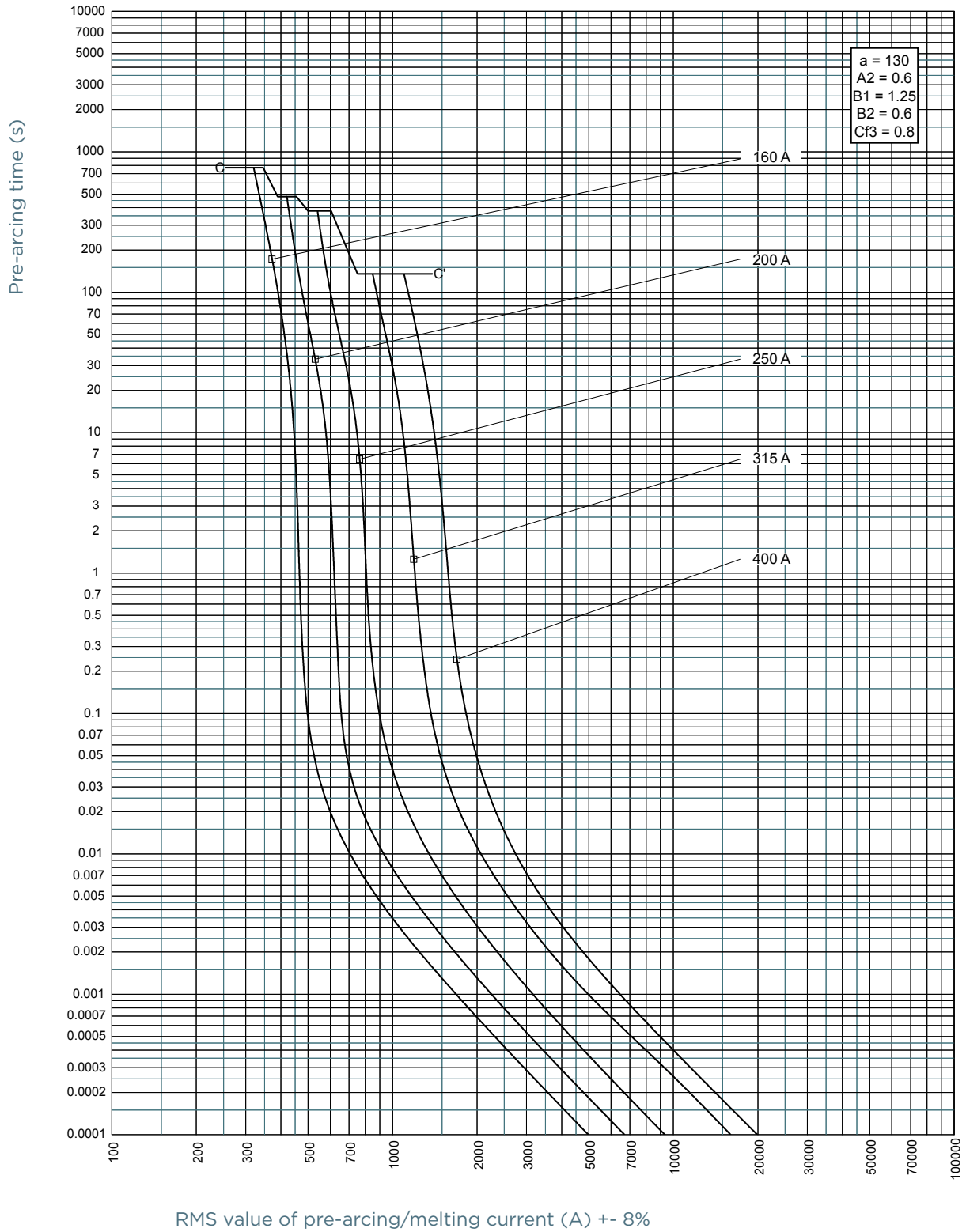
#### Size 122 aR 2000VDC

Catalog number	Item number	Rated voltage DC (IEC)	Rated current $I_n$	Rated breaking capacity DC	Max. total $I^2t$ @1600V for L/R=15ms	Max. total $I^2t$ @1600V for L/R=45ms	Power dissipation at $I_n$	Power dissipation at 0.8 $I_n$	Weight
D122SD20C160QF	D076639	2000 V	160 A	100 kA	15000 A <sup>2</sup> s	25000 A <sup>2</sup> s	100 W	52.5 W	1.81 kg
D122SD20C200QF	X079462	2000 V	200 A	100 kA	26000 A <sup>2</sup> s	44000 A <sup>2</sup> s	118 W	61.5 W	1.81 kg
D122SD20C250QF	Y079463	2000 V	250 A	100 kA	50000 A <sup>2</sup> s	87000 A <sup>2</sup> s	131 W	69 W	1.81 kg
D122SD20C315QF	Z079464	2000 V	315 A	100 kA	117000 A <sup>2</sup> s	200000 A <sup>2</sup> s	150 W	74 W	1.81 kg
D122SD20C350QF	J080186	2000 V	350 A	100 kA	-	-	175 W	-	1.81 kg
D122SD20C400QF	A079465	2000 V	400 A	100 kA	219000 A <sup>2</sup> s	380000 A <sup>2</sup> s	175 W	87 W	1.81 kg

Mersen products have been designed by Mersen for a range of specific applications to be operated depending on particular specification and conditions. Mersen makes no representation or/and warranty, and waives any liability, either express or implied for products' reliability and life time or technical performance in case Mersen has not been provided with customer's specifications or if the products are not purchased directly from Mersen or its distributors and/or agents.

## TIME CURRENT CHARACTERISTIC CURVES

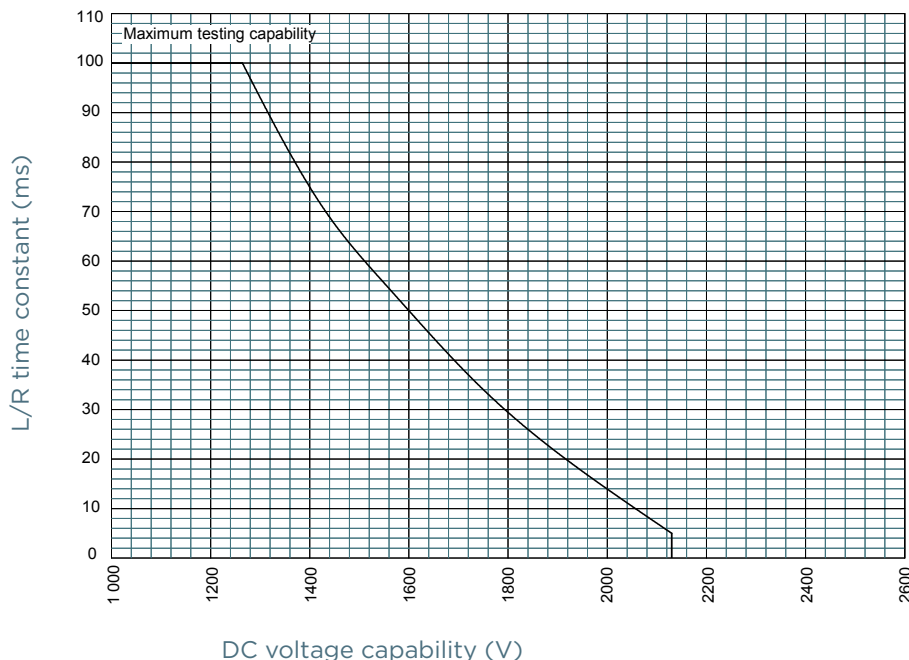
### Size 122 aR 2000VDC



Mersen products have been designed by Mersen for a range of specific applications to be operated depending on particular specification and conditions. Mersen makes no representation or/and warranty, and waives any liability, either express or implied for products' reliability and life time or technical performance in case Mersen has not been provided with customer's specifications or if the products are not purchased directly from Mersen or its distributors and/or agents.

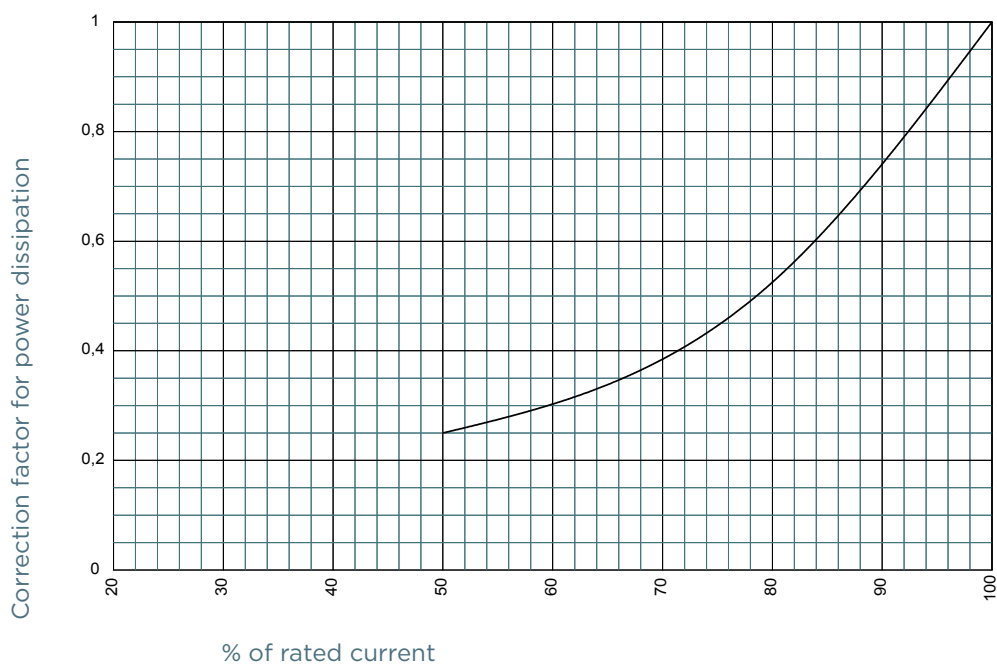
## L/R TIME CONSTANT VS DC VOLTAGE CAPABILITY

### Size 122 aR 2000VDC



## POWER DISSIPATION

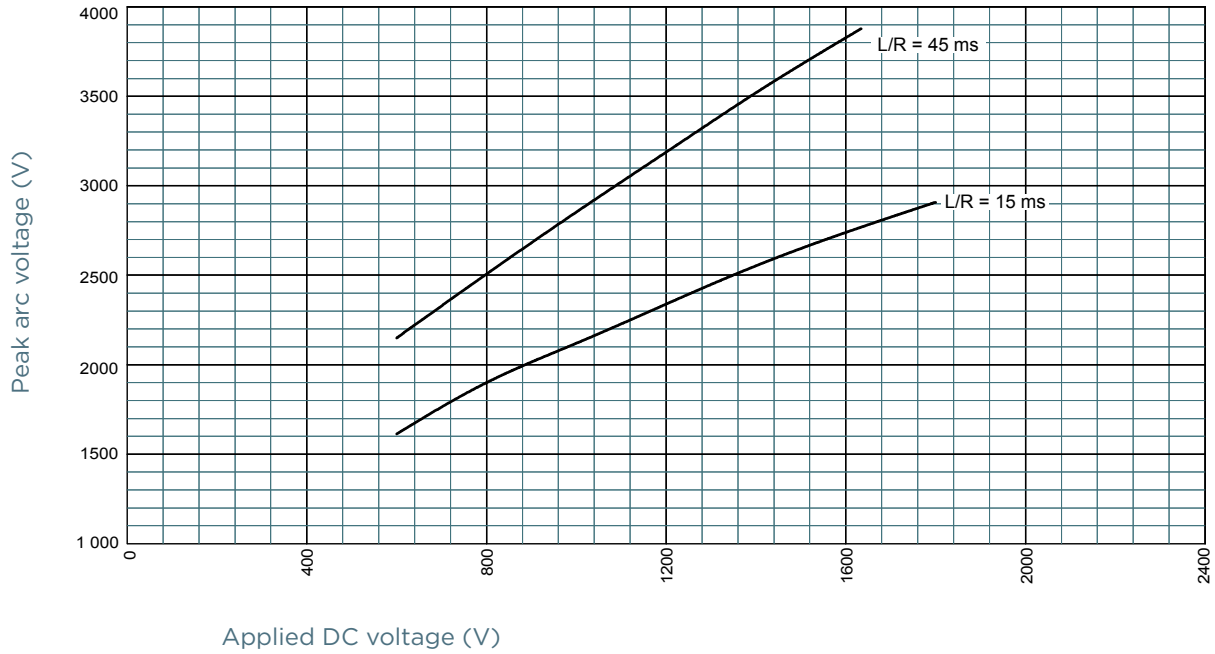
### Size 122 aR 2000VDC



Mersen products have been designed by Mersen for a range of specific applications to be operated depending on particular specification and conditions. Mersen makes no representation or/and warranty, and waives any liability, either express or implied for products' reliability and life time or technical performance in case Mersen has not been provided with customer's specifications or if the products are not purchased directly from Mersen or its distributors and/or agents.

## PEAK ARC VOLTAGE

### Size 122 aR 2000VDC



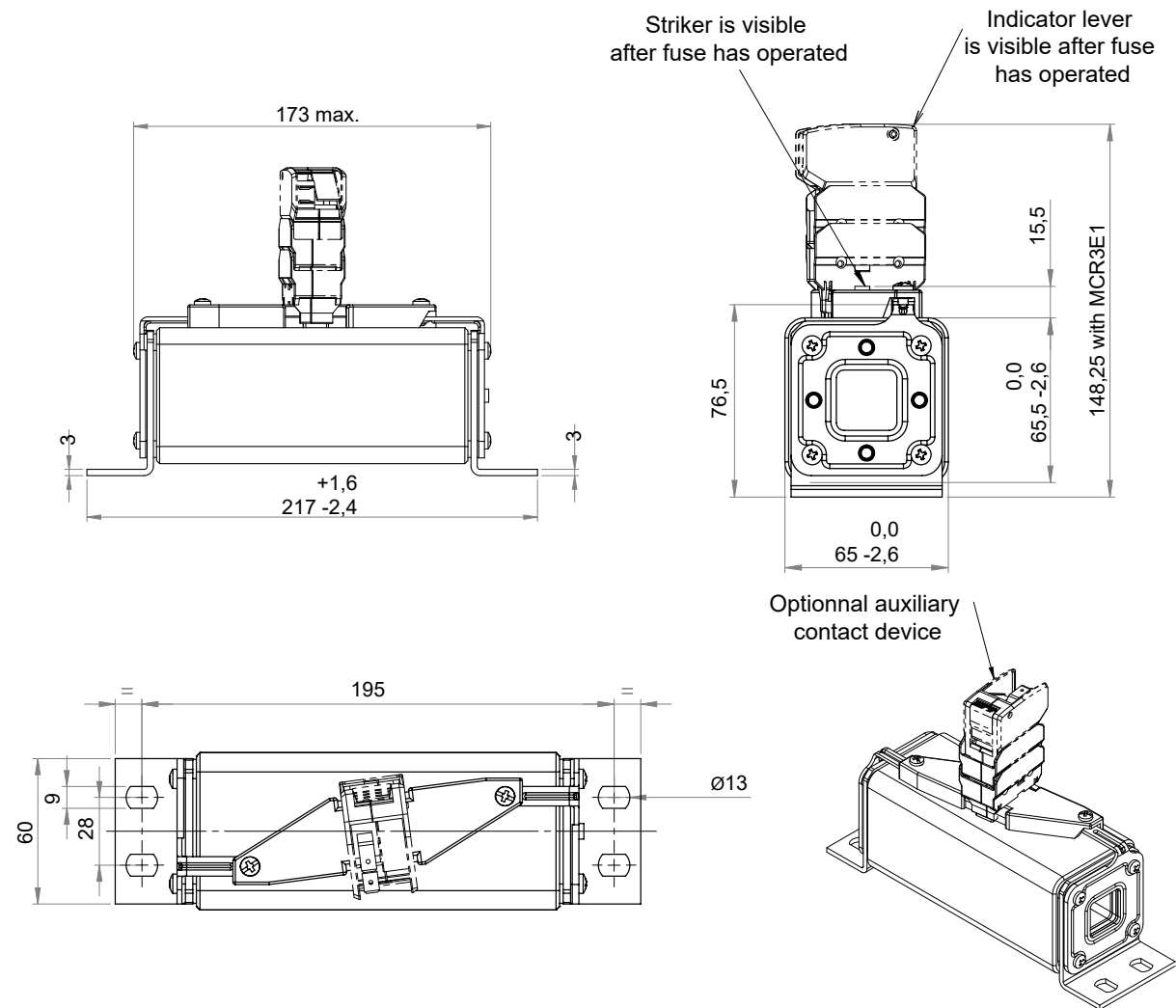
Mersen products have been designed by Mersen for a range of specific applications to be operated depending on particular specification and conditions. Mersen makes no representation or/and warranty, and waives any liability, either express or implied for products' reliability and life time or technical performance in case Mersen has not been provided with customer's specifications or if the products are not purchased directly from Mersen or its distributors and/or agents.

# Protistor® size 122 aR

2000VDC

## DIMENSIONS

### Size 122aR 2000VDC



Dimensions in mm

Mersen products have been designed by Mersen for a range of specific applications to be operated depending on particular specification and conditions. Mersen makes no representation or/and warranty, and waives any liability, either express or implied, for products' reliability and life time or technical performance in case Mersen has not been provided with customer's specifications or if the products are not purchased directly from Mersen or its distributors and/or agents.