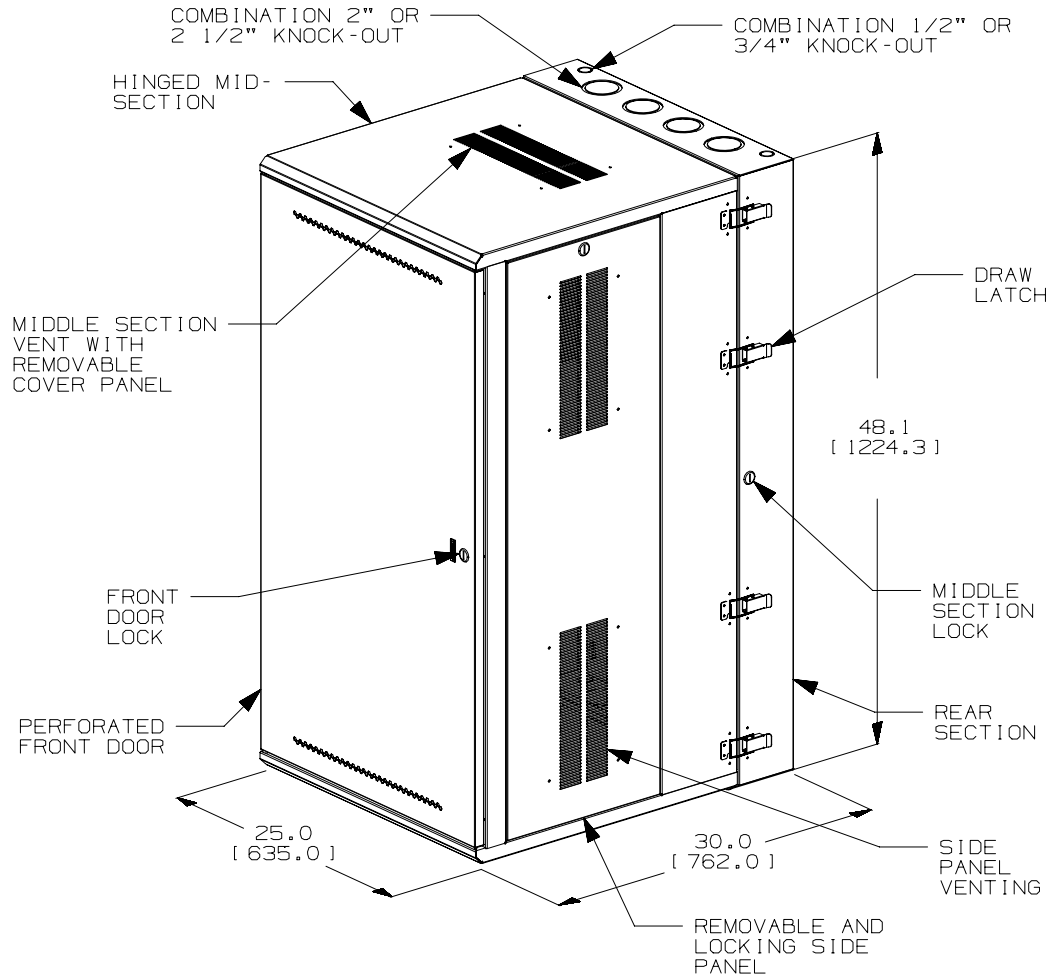


THIS COPY IS PROVIDED ON A RESTRICTED BASIS AND IS NOT TO BE USED IN ANY WAY DETRIMENTAL TO THE INTERESTS OF PANDUIT CORP.



PANDUIT PART NO.	WEIGHT
PZWMC2630P	168 LBS/EACH 76.2 kg/EACH

NOTES:

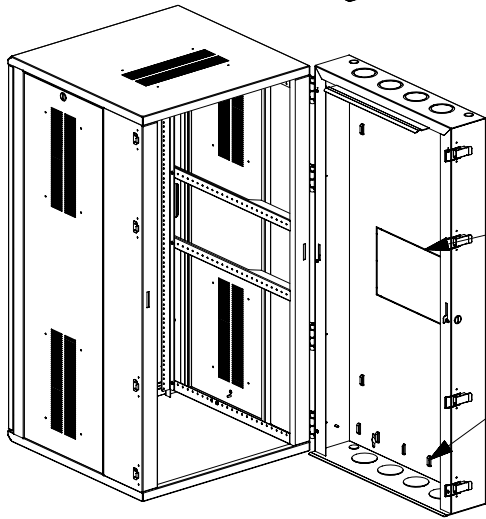
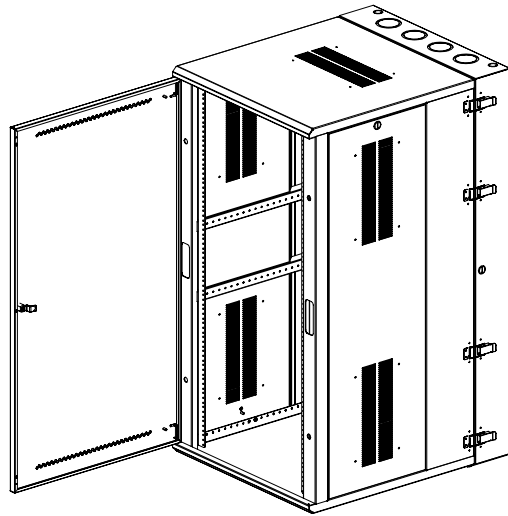
- VISIT OUR ON-LINE CATALOG AT [WWW.PANDUIT.COM](http://WWW.PANDUIT.COM) FOR A LIST OF CURRENT PARTS APPLICABLE FOR USE WITH THIS PRODUCT.
- DIMENSIONS IN PARENTHESES ARE METRIC (mm).
- CAN BE USED WITH ANY 19" EIA STANDARD COMPONENT UP TO 25" DEEP WITH ROOM FOR PATCH CORDS OR 26.8" DEEP WITH THE RAILS IN FORWARD MOST POSITION.
- 26 AVAILBLE RACK SPACES.
- VERTICAL EQUIPMENT MOUNTING ANGLES ARE ADJUSTABLE FRONT TO REAR OF CABINET IN .9" INCREMENTS.
- LOAD CAPACITY, 350-LBS.
- INSTALLS IN EITHER A HINGED RIGHT OR HINGED LEFT APPLICATION.
- FRONT ACCESS THROUGH DOOR; REAR ACCESS THROUGH HINGED MID-SECTION.
- PARTS SUPPLIED: (12) - #12-24 SCREWS  
(1) - ROLL OF TAK-TY  
(3) - SETS OF KEYS  
(1) - SPARE DOOR HINGE SPACER

TRUE DOOR PERFORATION PATTERN NOT SHOWN

REV	DATE	BY	CHK	APR	DESCRIPTION	ECN	DRAWN BY	DATE	CHK	SCALE	SHT 1 OF 2	SIZE
00A	9-27-18	TWV	KZU	JEFK	RELEASED TO PRODUCTION	00198EAJ-DC	TWV	9-27-18	KZU	NONE	SHT 1 OF 2	A

TITLE		PANZONE 26RU, 30" DEEP HINGED WALL MOUNT CABINET (PZWMC2630P) PERFORATED DOOR	
CUSTOMER DRAWING			
ITEM REVISION NAME	00198EAJ/00.PRT	<b>PANDUIT</b>	
DATASET FILE NAME	00198EAJ_DC/00A.PRT		
UNLESS OTHERWISE SPECIFIED, DIMENSIONAL TOLERANCES ARE: IN ( mm )		MATERIAL: STEEL	
DRAWING NUMBER: 00198EAJ-DC		THIRD ANGLE PROJECTION	

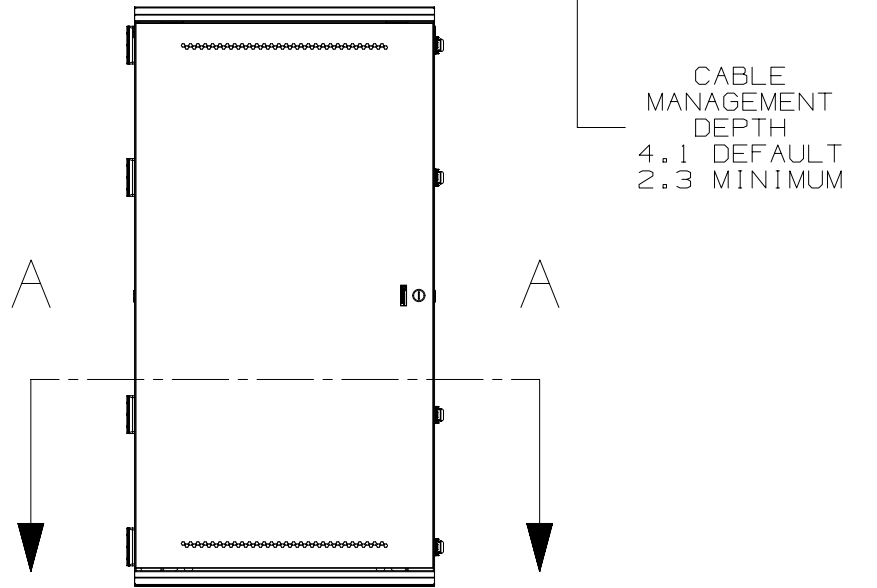
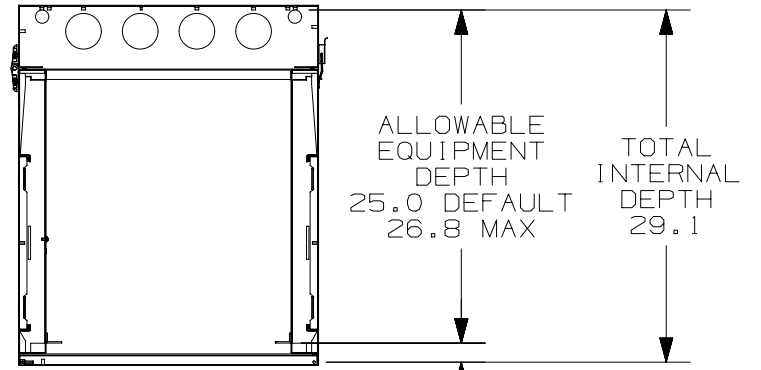
THIS COPY IS PROVIDED ON A RESTRICTED BASIS AND IS NOT TO BE USED IN ANY WAY DETRIMENTAL TO THE INTERESTS OF PANDUIT CORP.



15" X 8.5"  
RECTANGULAR  
KNOCK-OUT

CABLE TIE  
POINTS

SECTION A-A  
EQUIPMENT RAIL  
SPACING



00A	9-27-18	TWV	KZU	JEFK	SEE SHEET ONE FOR REVISIONS				00198EAJ-DC
REV	DATE	BY	CHK	APR	DESCRIPTION	ECN			

TITLE PANZONE 26RU, 30" DEEP HINGED WALL MOUNT CABINET (PZWMC2630P) PERFORATED DOOR									
CUSTOMER DRAWING									
ITEM REVISION NAME 00198EAJ/00.PRT					<b>PANDUIT</b>				
DATASET FILE NAME 00198EAJ_DC/00A.PRT									
UNLESS OTHERWISE SPECIFIED, DIMENSIONAL TOLERANCES ARE: IN ( mm )					MATERIAL: STEEL				
					DRAWING NUMBER: 00198EAJ-DC				
DRAWN BY TWV		DATE 9-27-18		CHK KZU		SCALE NONE		SHT 2 OF 2	
								A	