

# TOSHIBA

# INSTALLATION MANUAL

## AIR CONDITIONER

### Long life filter Kit

### Model: TCB-LK2801DP-E


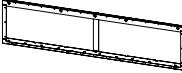
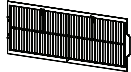



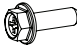



Thank you for purchasing the Long life filter Kit for TOSHIBA air conditioner.  
Before starting the installation work, please read this manual carefully and install the product properly.

## 1. Adaptation model

Model name	Adaptation model
TCB-LK2801DP-E	MMD-AP072*HP*, MMD-AP096*HP* RAV-SM224*DTP*, RAV-SM280*DTP*

## 2. Accessories

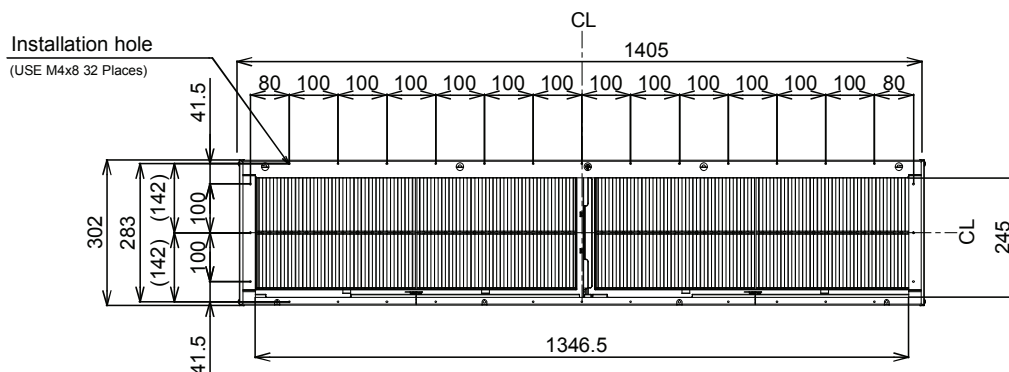
Below part are included.

Part name	Form	Quantity
(1) Frame fix plate		2
(2) Filter frame		1
(3) Filter		2
(4) Cover		2
(5) Screw	M4 x 8L 	8
(6) Screw	M5 x 8L 	4
(7) Screw	M5 x 16L 	18
(8) Seal material		1
(9) Seal material	10t x 25 x 35 	2
(10) Seal material	10t x 20 x 25 	2
(11) Installation manual	This manual	1

## 3. Duct design

### Arrangement

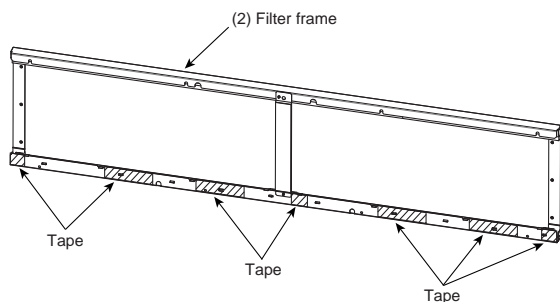
Referring to the following dimension, manufacture duct at the local site.



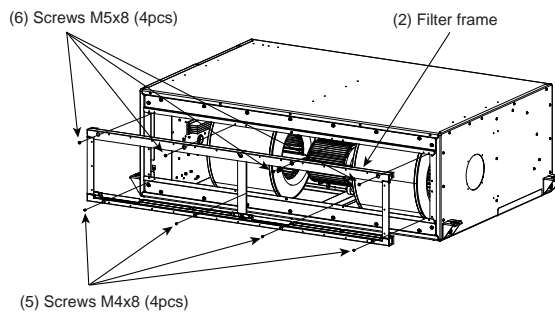
# 4. How to install

## 1. Peel off the tape fixing the filter rail.

And check if the claw of the filter rail is not taken off.



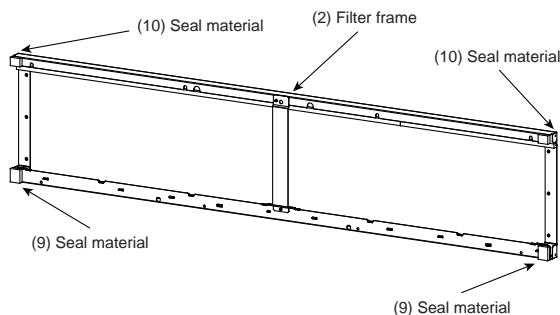
## 4. Install (2) Filter frame.



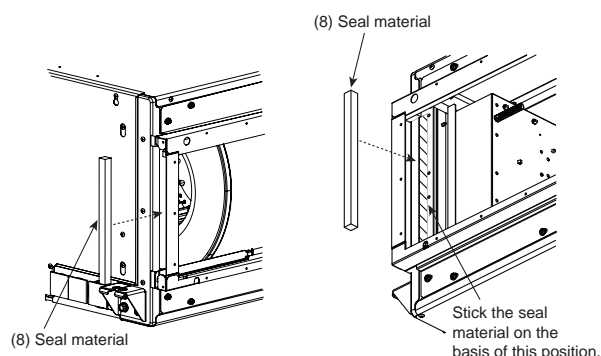
· The filter frame gets one having black mold parts (filter rail) in the lower direction at the time of the installation of indoor unit.

## 2. Install (9) (10) Seal material.

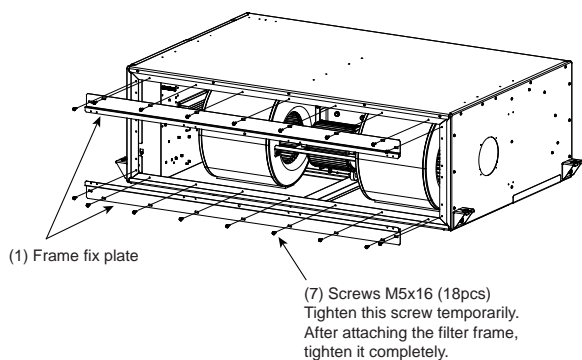
Fit the seal material to the corner and paste it.



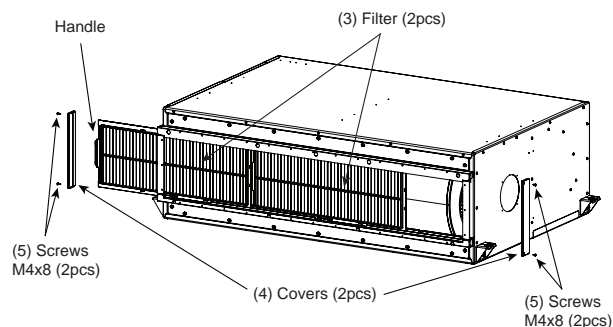
## 5. Install (8) Seal material.



## 3. Install (1) Frame fix plate.



## 6. Install (3) Filter and (4) Cover.



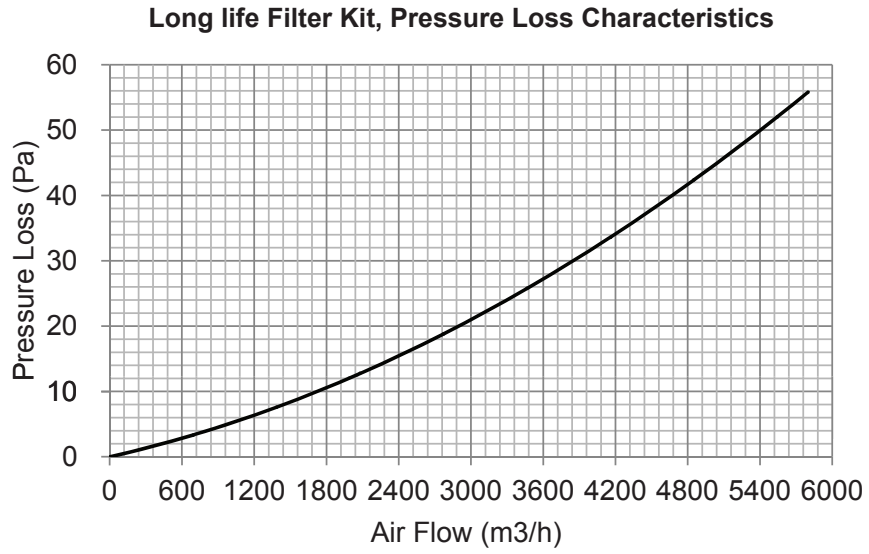
· For the filter direction, the insertion direction is the handle side as the above picture.  
 · Please confirm that two pieces of filters are connected.  
 · Please attach the cover with both side.

### NOTE

- When you use too long screws at attach a suction duct (local procured), you can not remove the filters by attack the screws.
- Be sure to check if the filter can be attached and removed after the attachment.

## 5. External Pressure Loss Characteristic

When you use these "Long life filter Kit", pressure-loss characteristics depends on Air Flow.





1117898001