

**NOTES:**

RATED VOLTAGE: MAX. 63V AC/DC  
 RATED CURRENT: MAX. 12A at 40°C (derating has to be considered)  
 IP RATING: IP67 (mated and locked condition)  
 TEMPERATURE RANGE: -25°C TO +85°C

CABLE PRINTING (sequence as shown below):  
 - MOLEX part number  
 - "Made in " COUNTRY OF ORIGIN  
 - MOLEX AND DATE OF MANUFACTURING (YY=YEAR; WW=WEEK): MXYWW  
 - Not for current interrupting

PART ACCORDING PRODUCT SPEC: 1205010169  
 PACKAGING ACCORDING PACKAGING SPEC: 1201202000

**TABLE 1**

POS	DESCRIPTION	MATERIAL	FINISH
1	NUT M12 FE	BRASS	Ni
2	NUT M12 MA	BRASS	Ni
3	CONTACT 15 MA	BRASS	Au
4	CONTACT 15 FE	BRASS	Au
5	INSERT FEMALE	PA	BLACK
6	INSERT MALE	PA	BLACK
7	OVERMOLD	TPE	BLACK
8	CABLE 4x1.5 D7.9 WSOR	PUR	BLACK
9	GASKET OR 8.2X1.25	FKM	BLACK
OPTIONAL 10	ID CARRIER	-	-

FUNCTIONAL SYMBOLS $\nabla_A = 0$ $\nabla_E = 0$ $\nabla_F = 0$	THIS DRAWING CONTAINS INFORMATION THAT IS PROPRIETARY TO MOLEX ELECTRONIC TECHNOLOGIES, LLC AND SHOULD NOT BE USED WITHOUT WRITTEN PERMISSION	SCALE 2:1		<b>molex</b>  CSE M12 4P LC FE STR MA STR WSOR BK XM  PRODUCT CUSTOMER DRAWING
	GENERAL TOLERANCES (UNLESS SPECIFIED)	CURRENT REV DESC: UPDATED ATTRIBUTE TO GENERAL MARKET IN ECTR		
	ANGULAR TOL ± 1.0°	EC NO: 735577		
	4 PLACES ±	DRWN: MARUTD 2023/01/11		
DIVISIONAL SYMBOLS	3 PLACES ±	CHK'D: RSILLER 2023/01/19	2023/01/19	
2 PLACES ± 0.05	APPR: RSILLER 2023/01/19	INITIAL REVISION:		
1 PLACE ± 0.3	DRWN: FDAFERNER 2020/08/19		DOCUMENT NUMBER	
0 PLACES ± 0.5	APPR: RSILLER 2022/12/05	2022/12/05	1205010232	
DRAFT WHERE APPLICABLE MUST REMAIN WITHIN DIMENSIONS	THIRD ANGLE PROJECTION	DRAWING	SERIES	
		A3-SIZE	120501	
		MATERIAL NUMBER	CUSTOMER	
		SEE TABLE 2	GENERAL MARKET	
		DOC TYPE	DOC PART	
		PSD	000	
		REVISION	A1	
		SHEET NUMBER	1 OF 2	

# ENGINEERING NO - NUMERICAL CODE (Available parts see PART LIST table. Other parts available upon request).

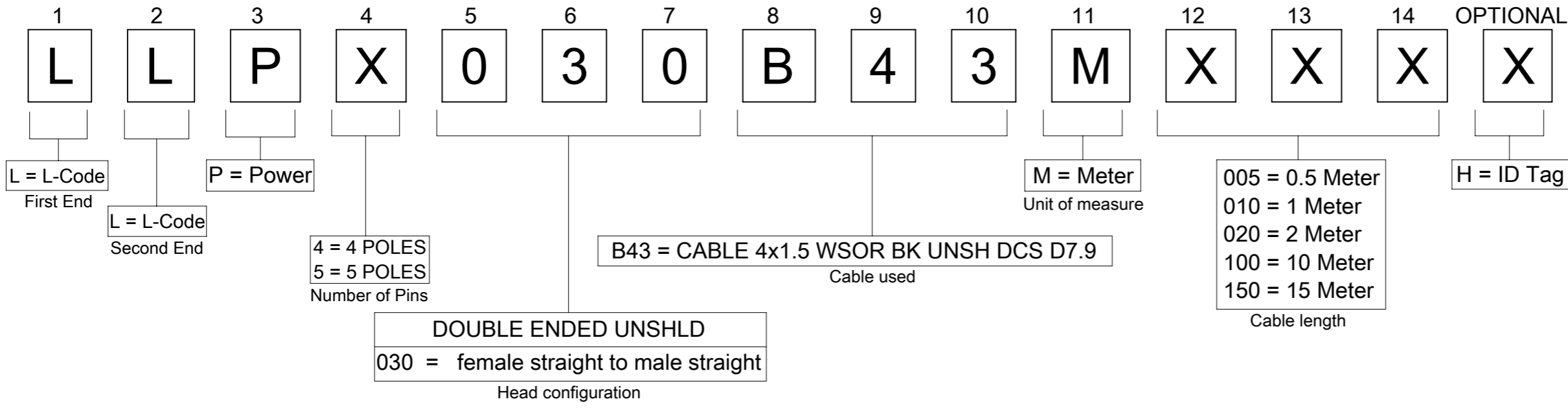



TABLE 2

NOMINAL SECTION 1,5mm <sup>2</sup>			
MATERIAL NO.	ENGINEERING NO.	L [mm]	TOLERANCE [mm]
1205010232	LLP4030B43M005	500	+40
1205010233	LLP4030B43M010	1000	+40
1205010234	LLP4030B43M020	2000	+60
1205010235	LLP4030B43M030	3000	+60
1205010236	LLP4030B43M050	5000	+60
1205010237	LLP4030B43M100	10000	+80
1205010238	LLP4030B43M150	15000	+140
1205010239	LLP4030B43M200	20000	+160
DOCUMENT STATUS	P1	RELEASE DATE	2023/01/19 11:13:51

FUNCTIONAL SYMBOLS	THIS DRAWING CONTAINS INFORMATION THAT IS PROPRIETARY TO MOLEX ELECTRONIC TECHNOLOGIES, LLC AND SHOULD NOT BE USED WITHOUT WRITTEN PERMISSION		
	THIS DRAWING CONTAINS INFORMATION THAT IS PROPRIETARY TO MOLEX ELECTRONIC TECHNOLOGIES, LLC AND SHOULD NOT BE USED WITHOUT WRITTEN PERMISSION	SCALE	CURRENT REV DESC: UPDATED ATTRIBUTE TO GENERAL MARKET IN ECTR
△/A = 0	mm	1:1	 CSE M12 4P LC FE STR MA STR WSOR BK XM
△/E = 0	GENERAL TOLERANCES (UNLESS SPECIFIED)		
△/Z = 0	ANGULAR TOL ± 1.0°		EC NO: 735577 DRWN: MARUTD 2023/01/11 CHK'D: RSILLER 2023/01/19 APPR: RSILLER 2023/01/19
DIVISIONAL SYMBOLS	4 PLACES	±	
	3 PLACES	±	INITIAL REVISION: DRWN: FDAFERNER 2020/08/19 APPR: RSILLER 2022/12/05
	2 PLACES	± 0.05	
	1 PLACE	± 0.3	DOCUMENT NUMBER: 1205010232 DOC TYPE: PSD DOC PART: 000 REVISION: A1
	0 PLACES	± 0.5	
	DRAFT WHERE APPLICABLE MUST REMAIN WITHIN DIMENSIONS	THIRD ANGLE PROJECTION	DRAWING: A3-SIZE SERIES: 120501 MATERIAL NUMBER: SEE TABLE 2 CUSTOMER: GENERAL MARKET SHEET NUMBER: 2 OF 2