

Part number

CHI 50 CS



Bulkhead mounting housing, C-TYPE series, with 4 pegs, size "66.40", with metal cover

Product description

Product type	Bulkhead mounting housing
Series	C-TYPE
Closing type	With 4 pegs
Size	Size "66.40"
Cable entry	Without cable entry
Specification	With metal cover

Technical data

IP degree of protection IP65

Further technical details

Weight	112,00 g
Operating temperature range (min, max)	-40°C...+125°C

Material properties

Other materials	Gasket: NBR
Colour	RAL 7040 grey
RoHs conformity	Compliant
China RoHs - EFUP	E
REACH SVHC substances	No

Approvals / Standards

Certifications	DNV, BV
UL	ECBT2
cUL	ECBT8

General ordering information

EAN13 code	8015747018753
eCl@ss 8.1	27440202
ETIM 7.0	EC000437

Packaging Information

Packaging length	270,00 mm
Packaging height	120,00 mm
Packaging width	210,00 mm
Packaging weight	1,28 kg
Packaging description	Carton box
Packaging quantity	10 Pcs
Packaging EAN code	8015747297585

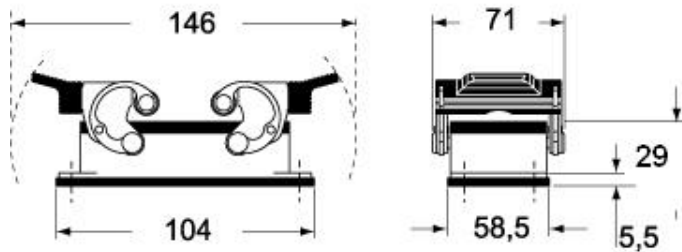
Part number

CHI 50 CS

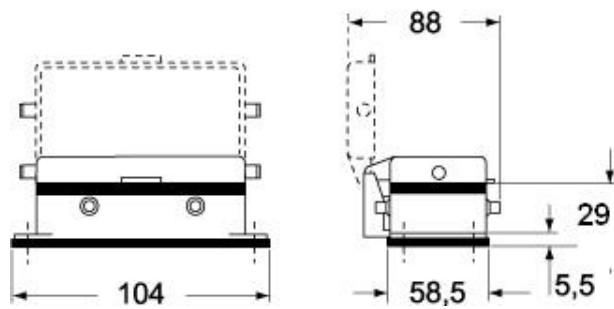


Catalogue drawings

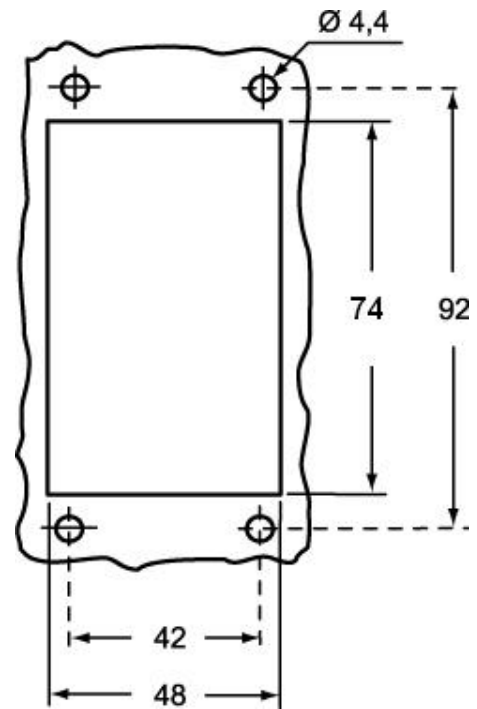
CHI



CHI CS



Catalogue drawings



Notes

Dimensions shown in mm are not binding and may be changed without notice.