

Part number

# PB 16122 SM



Wall-mounting plug, PLUSO series, 2 poles, 12 h (white), 16 A, 40 ÷ 50 V

| Product description                           |                       | Material properties          |   |
|---|-----------------------|------------------------------|---|
| <b>Product type</b>                           | Plug<br>Wall-mounting | <b>Colour</b>                | RAL 7035 grey, RAL 9010 white   |
| <b>Series</b>                                 | PB...SM, PLUSO        | <b>RoHs conformity</b>       | Compliant with exemption<br>6(c): copper alloy containing up to 4% lead by weight |
| <b>N. of poles</b>                            | 2 poles               | <b>China RoHs - EFUP</b>     | 50  |
| <b>Clock position</b>                         | 12                    | <b>REACH SVHC substances</b> | Yes<br>Lead   |
| Technical data                                |                       | <b>SCIP number</b>           | Ca7de37f-add8-4b77-9861-279c94903ade  |
| <b>Current</b>                                | 16 A                  | Approvals / Standards        |   |
| <b>Voltage</b>                                | 40 ÷ 50 V             | <b>Reference standard</b>    | EN 60309-1 and -2   |
| <b>IP degree of protection</b>                | IP44                  | General ordering information |   |
| Further technical details                     |                       | <b>EAN13 code</b>            | 8015747061483   |
| <b>Weight</b>                                 | 132,00 g              | Packaging Information        |   |
| <b>Operating temperature range (min, max)</b> | -25°C ... +40°C       | <b>Packaging length</b>      | 208,00 mm   |
|   |                       | <b>Packaging height</b>      | 140,00 mm   |
|   |                       | <b>Packaging width</b>       | 290,00 mm   |
|   |                       | <b>Packaging weight</b>      | 1,54 kg   |
|   |                       | <b>Packaging volume</b>      | 8,44 dm <sup>3</sup>  |
|   |                       | <b>Packaging description</b> | Carton box  |
|   |                       | <b>Packaging quantity</b>    | 10 Pcs  |
|   |                       | <b>Packaging EAN code</b>    | 8015747061490   |

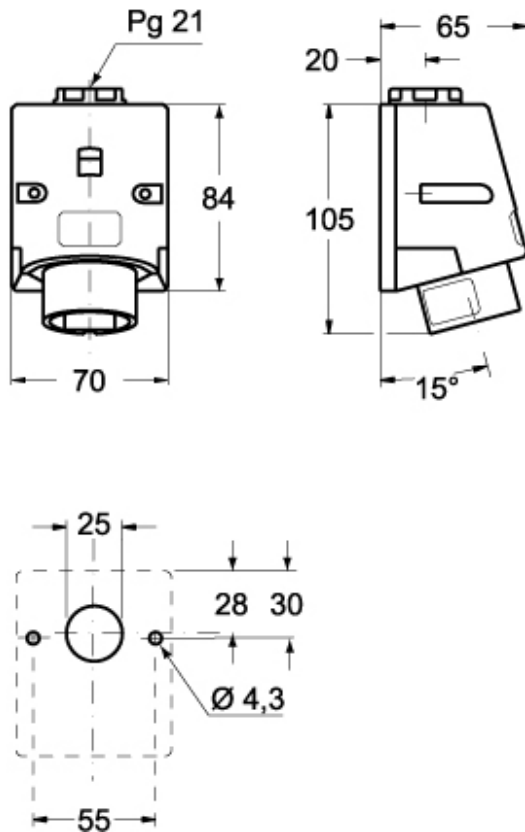
Part number

# PB 16122 SM



Catalogue drawings

(16 / 32A) PB ... SM



## Notes

Dimensions shown in mm are not binding and may be changed without notice.

- Compliant with EN 60309-1 and -2
- Enclosure and insert in insulating, thermoplastic and self-extinguishing material
- RAL 7035 grey enclosure
- Plug mouth colour coded according to the operating voltage and frequency
- Wall-mounting types PB...SM, top entry with threaded grommet (replaceable with cable gland)
- Coupler types PB...SV, cable anchoring collar incorporated in the collar, entry with grommet
- Terminals with retained screws
- Nickel-plated contacts on request
- IP44 degree of protection (EN 60529)