



Micro PLC - Base module with built-in Ethernet port
LRK10RA240
100...240VAC
Nr. 6 digital
Nr. 4 relay
10 (6 inputs + 4 outputs) up to 34 with LRE modules

Product designation

Product type designation

Auxiliary supply voltage

Number of inputs

Number of outputs

Max I/O number

Power supply

Rated auxil. supply voltage		100...240VAC
Operating voltage range		85...265VAC
Rated frequency	Hz	50/60
Operating frequency range	Hz	47...63
Average current consumption	mA	90

Digital inputs

Number of digital input	Nr.	6
Rated voltage	V	100-240VAC (50/60Hz)
Input signals	State 0 (OFF) State 1 (ON)	<40VAC >79VAC

Response time

0 to 1 (OFF-ON)	50/45ms (Ue=120VAC); 22/18ms (Ue=240VAC)
1 to 0 (ON-OFF)	50/45ms (Ue=120VAC); 90/85ms (Ue=240VAC)

Digital outputs

Number of digital output type	Nr.	4 Relay
-------------------------------	-----	------------

System resources

Display

LCD display, 4 lines x 16 characters

Real Time Clock

Yes

Communications

Type of communication port

Ethernet

Connections

Terminals type

Screw

Tightening torque for terminals

max Nm 0.8

Conductor section

AWG/Kcmil	min	26	
	max	14	
IEC	min	mm ²	0.14
	max	mm ²	2.5

Ambient conditions

Temperature

Operating temperature	min	°C	-20
	max	°C	50
Storage temperature	min	°C	-40
	max	°C	+70

Relative humidity

% 20...90% without condensation

Housing

Mounting

35mm DIN rail or screw fixing (M4x20mm)

Degree of protection

IP20

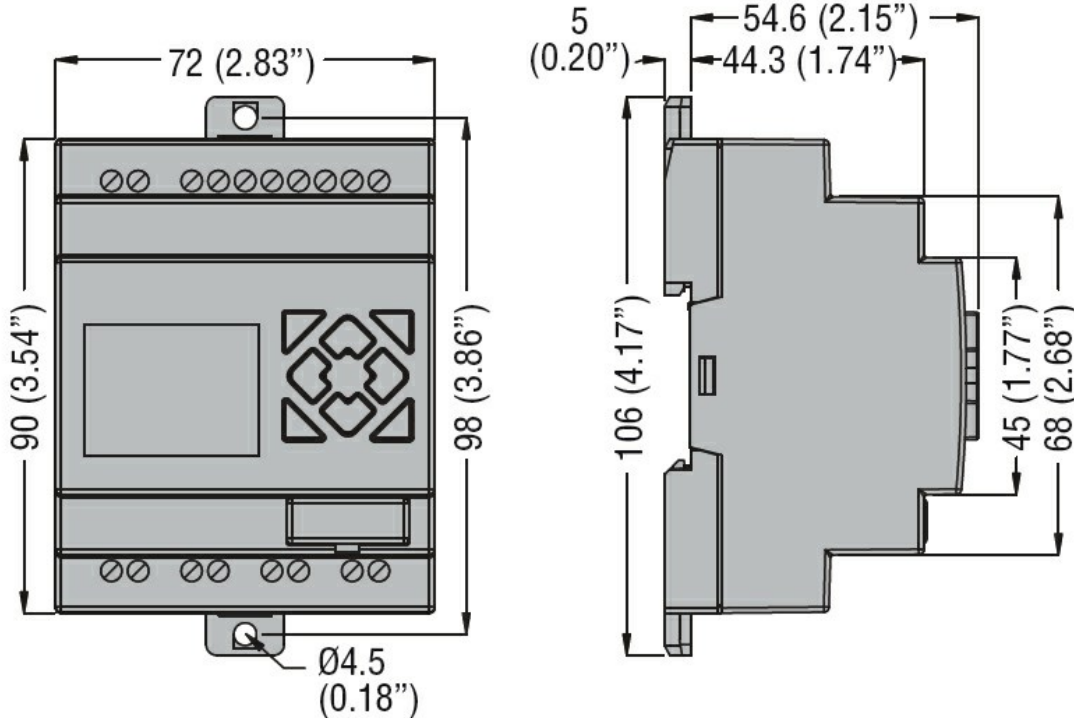
Dimensions (W x H x D)

mm 72 x 106 x 59.6

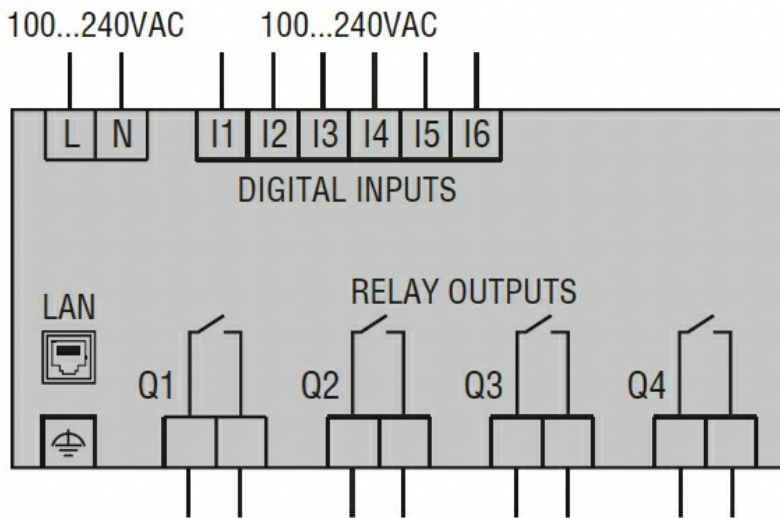
Weight

g 240

Dimensions



Wiring diagrams



Certifications and compliance

Compliance

CSA C22.2 No. 61010-1

CSA C22.2 No. 61010-2-201:18

IEC/EN/BS 61131-2

UL 61010-1

UL 61010-2-201

ETIM classification

ETIM 8.0

EC001417 -
Logic module