



Product designation	Mechanical reset buttons, complete unit, spring return
Product type designation	LPCR20

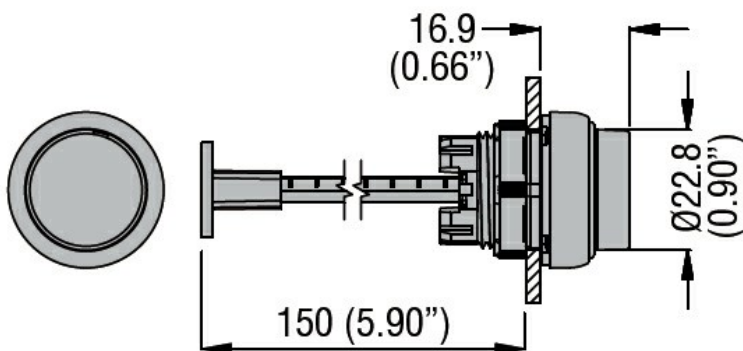
General characteristics	
Colour	Red
Type of positions	Mechanical reset extended pushbutton
Material	Polyamide
IEC degree of protection	IP66, IP67 and IP69K

Mechanical features	
Operating force	kg-lb <0.5Kg / 1.1lb
Mechanical life	cycles 5000000
Fixing	Without mounting adapter
Mounting adapter	LPXAU120
Weight	g 40

UL technical data	
UL degree of protection	Type1, 2, 3R, 4, 4X, 12, 12K

Ambient conditions	
Temperature	
Operating temperature	
min	°C -25
max	°C +70
Storage temperature	
min	°C -40
max	°C +85

Dimensions



Certifications and compliance

Compliance	CSA C22.2 n° 14
------------	-----------------

MECHANICAL RESET BUTTON, COMPLETE UNIT, SPRING RETURN Ø22MM PLATINUM
SERIES CHROMED PLASTIC, EXTENDED. ADJUSTABLE LENGTH 0...150MM/5.9IN, RED

IEC/EN/BS 60947-1

IEC/EN/BS 60947-5-1

UL508

Certificates

CCC

cULus

EAC

RINA

ETIM classification

ETIM 8.0

EC000221 -
Front element for
push button