

THIS COPY IS PROVIDED ON A RESTRICTED BASIS AND IS NOT TO BE USED IN ANY WAY DETRIMENTAL TO THE INTERESTS OF PANDUIT CORP.

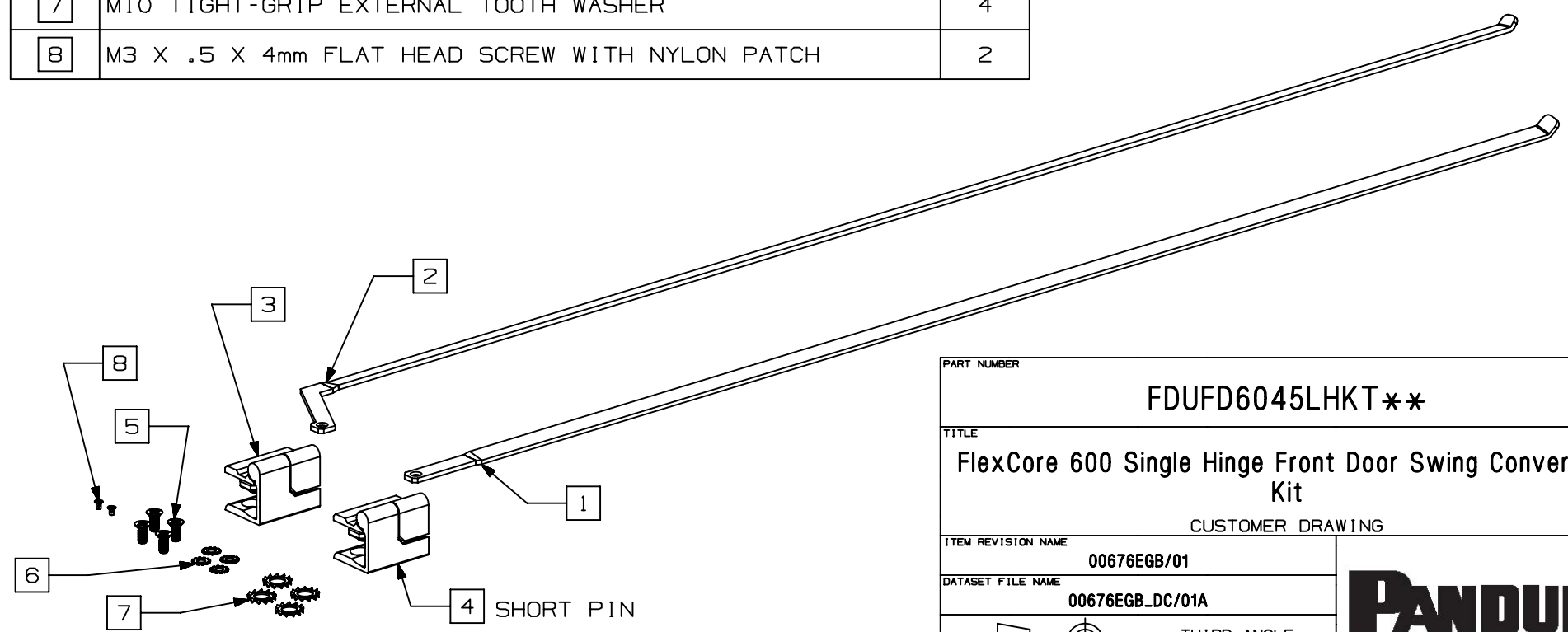
**FDUFD6045LHKT\*\* LEFT HINGING SWING CONVERSION KIT**

ITEM NO.	ITEM DESCRIPTION	QTY
1	LEFT HINGING TOP DOOR ROD - 600mm	1
2	LEFT HINGING BOTTOM DOOR ROD - 600mm	1
3	LEFT HAND LIFT-OFF HINGE	1
4	LEFT HAND HINGE - SHORT PIN	1
5	#12-24 x .5 COUNTERSUNK SCREW, PHILLIPS	4
6	#12 EXTERNAL TOOTH LOCKWASHER	4
7	M10 TIGHT-GRIP EXTERNAL TOOTH WASHER	4
8	M3 X .5 X 4mm FLAT HEAD SCREW WITH NYLON PATCH	2

NOTES:

- VISIT OUR ON-LINE CATALOG AT WWW.PANDUIT.COM FOR A LIST OF CURRENT PARTS APPLICABLE FOR USE WITH THIS PRODUCT.
- ALL MATERIALS AND COMPONENTS USED MEET THE MATERIAL RESTRICTIONS OF RoHS (EUROPEAN DIRECTIVE 2011/65/EU ON THE RESTRICTION OF HAZARDOUS SUBSTANCES) AS PROPOSED BY THE RoHS TECHNICAL ADAPTATION COMMITTEE.
- PART INCLUDES: SEE CHART

PART NO.	WEIGHT
FDUFD6045LHKTGY	2.8 lbs
FDUFD6045LHKTBL	1.2 Kg



PART NUMBER		<b>FDUFD6045LHKT**</b>	
TITLE		<b>FlexCore 600 Single Hinge Front Door Swing Conversion Kit</b>	
CUSTOMER DRAWING			
ITEM REVISION NAME		00676EGB/01	
DATASET FILE NAME		00676EGB_DC/01A	
		THIRD ANGLE PROJECTION	
MATERIAL		N/A	
DRAWING NUMBER		00676EGB-DC	
DRAWN BY	DATE	CHK	SCALE
SSP	04-19-22	SSP	NONE
SHEET 1 OF 2		A	

A-SIZE CUSTOMER

REV	DATE	BY	CHK	APR	DESCRIPTION	ECN
01	06-15-22	SSP	MCIS	MWH	ITEM #8 REVISED TO FLATHEAD SCREW. DOOR RODS REVISED	V09002TW/10
00	04-19-22	SSP	SSP	ANJA	INITIAL RELEASE	V09002TW/08

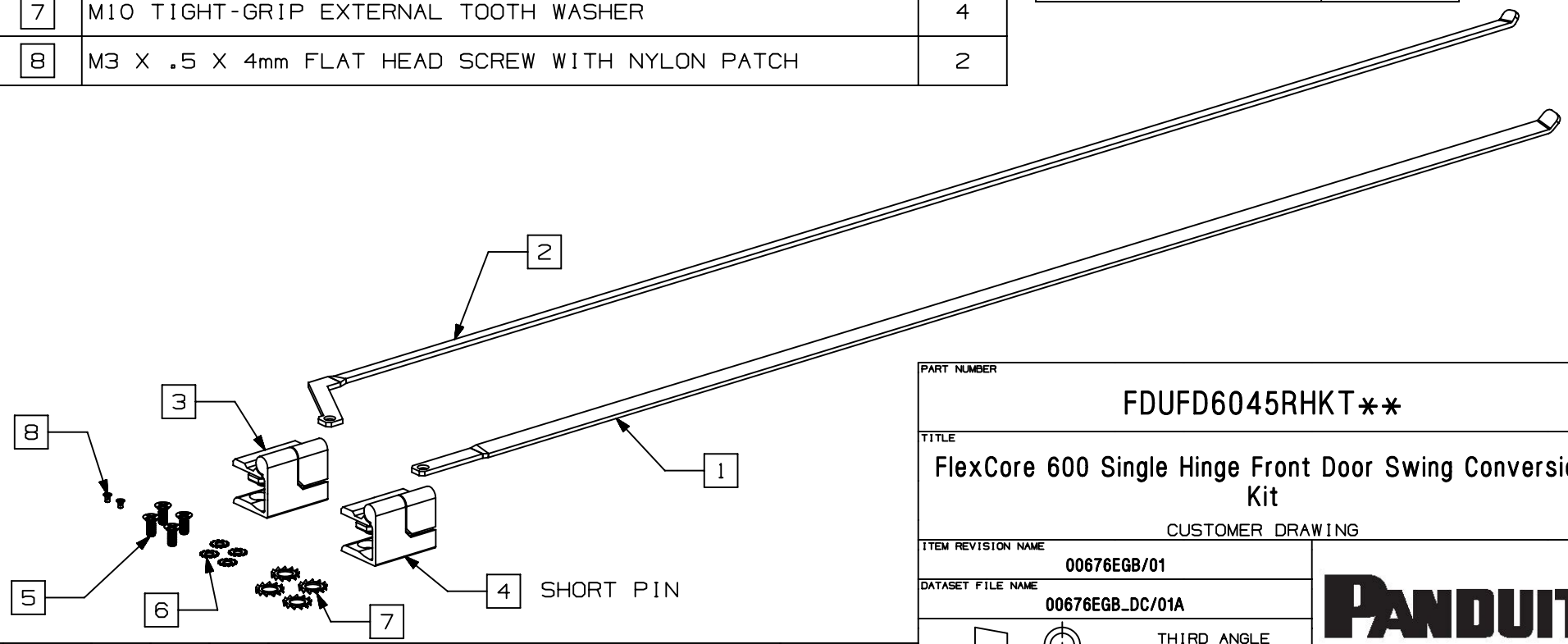
THIS COPY IS PROVIDED ON A RESTRICTED BASIS AND IS NOT TO BE USED IN ANY WAY DETRIMENTAL TO THE INTERESTS OF PANDUIT CORP.

**FDUFD6045RHKT\*\* RIGHT HINGING SWING CONVERSION KIT**

ITEM NO.	ITEM DESCRIPTION	QTY
1	RIGHT HINGING TOP DOOR ROD - 600mm	1
2	RIGHT HINGING BOTTOM DOOR ROD - 600mm	1
3	RIGHT HAND LIFT-OFF HINGE	1
4	RIGHT HAND HINGE - SHORT PIN	1
5	#12-24 x .5 COUNTERSUNK SCREW, PHILLIPS	4
6	#12 EXTERNAL TOOTH LOCKWASHER	4
7	M10 TIGHT-GRIP EXTERNAL TOOTH WASHER	4
8	M3 X .5 X 4mm FLAT HEAD SCREW WITH NYLON PATCH	2

- NOTES:
- VISIT OUR ON-LINE CATALOG AT WWW.PANDUIT.COM FOR A LIST OF CURRENT PARTS APPLICABLE FOR USE WITH THIS PRODUCT.
  - ALL MATERIALS AND COMPONENTS USED MEET THE MATERIAL RESTRICTIONS OF RoHS (EUROPEAN DIRECTIVE 2011/65/EU ON THE RESTRICTION OF HAZARDOUS SUBSTANCES) AS PROPOSED BY THE RoHS TECHNICAL ADAPTATION COMMITTEE.
  - PART INCLUDES: SEE CHART

PART NO.	WEIGHT
FDUFD6045RHKTGY	2.8 lbs
FDUFD6045RHKTBL	1.2 Kg



PART NUMBER		<b>FDUFD6045RHKT**</b>	
TITLE		<b>FlexCore 600 Single Hinge Front Door Swing Conversion Kit</b>	
		CUSTOMER DRAWING	
ITEM REVISION NAME		00676EGB/01	
DATASET FILE NAME		00676EGB_DC/01A	
		THIRD ANGLE PROJECTION	
MATERIAL		N/A	
		DRAWING NUMBER	
		00676EGB-DC	
DRAWN BY	DATE	CHK	SCALE
SSP	04-19-22	SSP	NONE
SHEET 2 OF 2		SIZE	
		A	

A-SIZE CUSTOMER

REV	DATE	BY	CHK	APR	DESCRIPTION	ECN
01	06-15-22	SSP	MCIS	MWH	SEE SHEET 1 FOR REVISIONS	V09002TW/10
00	04-19-22	SSP	SSP	ANJA	INITIAL RELEASE	V09002TW/08