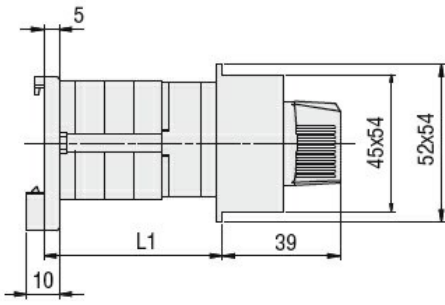


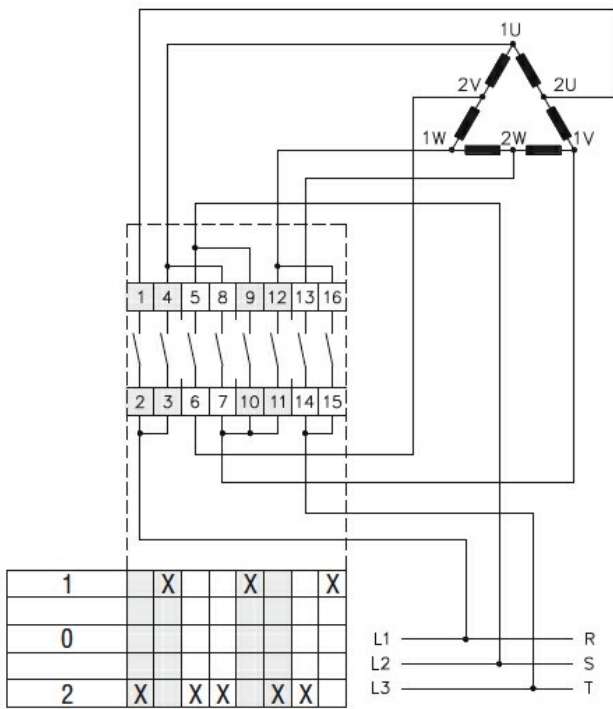
Product designation				Rotary cam switches
Product type designation				GF20
General characteristics				
Switching diagram				13 - Dahlander motor control switch 1-0-2
N° of elements				4
Mounting form				O48 - Modular service cover for 35mm din rail mounting with black handle
Contact characteristics				
Rated insulation voltage U_i	IEC/EN	V	480	
	UL/CSA	V	240	
Rated impulse withstand voltage U_{imp}		kV	4	
Conventional free air thermal current I_{th}	IEC/EN	A	20	
	UL/CSA	A	15	
Rated operational voltage		V	480	
Rated operational impulse voltage		kV	4	
Maximum fuse size for short-circuit protection I_n (gG)	10kA	A	20	
	15kA	A	20	
	25kA	A	20	
Rated short time current I_{cw}				
		1s	A	250
Conductivity				10/5 mA/V
Operational current I_e IEC/EN	AC1/AC21A			
			A	20
AC15		110V	A	10
		220/230V	A	8
		380/400V	A	6
Rated operational power in AC	Three-phase AC-3			
		220/230V	kW	3
		380/440V	kW	5
	Single-phase AC-3			
		110V	kW	0.5
		220/230V	kW	1.5
	380/440V	kW	2	
Three-phase AC23A		220/230V	kW	4
		380/440V	kW	7.5
	Single-phase AC23A			
		110V	kW	0.75
	220/230V	kW	2	
	380/440V	kW	2.5	
Rated operational current in DC				

DC21A				
	48V	A	20	
	60V	A	20	
	110V	A	4	
	220V	A	0.7	
	440V	A	0.2	
DC13				
	24V	A	6	
	48V	A	6	
	60V	A	3	
	110V	A	1	
	220V	A	0.4	
	440V	A	0.15	
Power dissipation		W	0.8	
Mechanical features				
Terminals screw				M3
Tightening torque for terminals max		Nm	0.5	
Conductor size				
AWG - Rigid cable				
	min	AWG	20	
	Max	AWG	12	
AWG - Flexible cable				
	min	AWG	20	
	Max	AWG	12	
Conductor size (IEC) - Flexible cable				
	min	mm ²	0.5	
	Max	mm ²	2.5	
Conductor size (IEC) - Rigid cable				
	min	mm ²	0.5	
	Max	mm ²	2.5	
Mechanical life		cycles	1x10 ⁶	
UL technical data				
Motor power for direct-on-line control				
for three-phase motor				
	240V	HP	3	
for single-phase motor				
	240V	HP	1	
Ambient conditions				
Temperature				
Operating temperature				
	min	°C	-25	
	max	°C	+55	
Storage temperature				
	min	°C	-40	
	max	°C	+70	
Resistance & Protection				
Frontal IP degree				IP40
Terminals IP degree				IP20
Dimensions				



Series	L1		
	1	2	3
GF20	40	53.5	67

Wiring diagrams



Certifications and compliance

Compliance

- CSA C22.2 n° 14
- IEC/EN/BS 60947-1
- IEC/EN/BS 60947-3
- IEC/EN/BS 60947-5-1
- UL60947-4-1

Certificates

- cULus
- EAC

ETIM classification

ETIM 8.0

EC001029 -
Selector switch,
complete