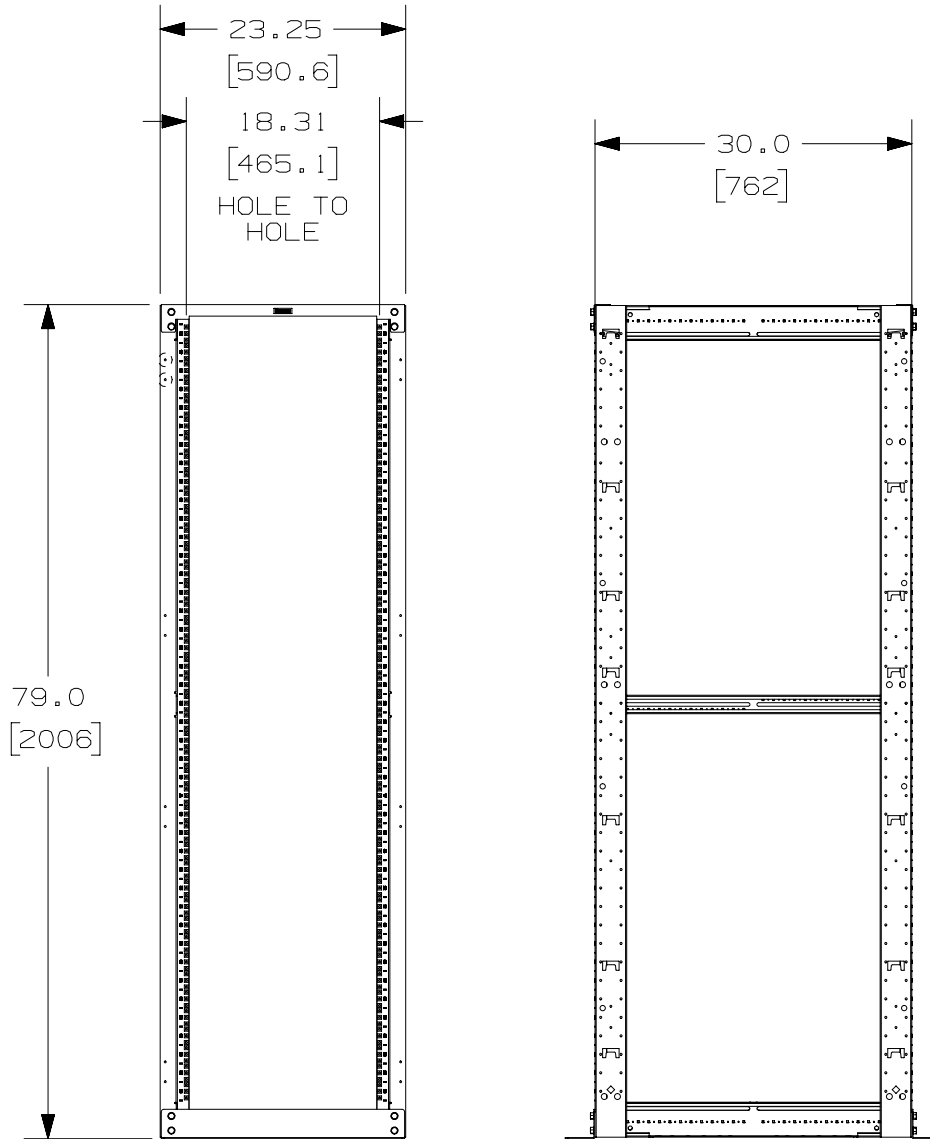


THIS COPY IS PROVIDED ON A RESTRICTED BASIS AND IS NOT TO BE USED IN ANY WAY DETRIMENTAL TO THE INTERESTS OF PANDUIT CORP.


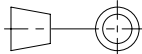


PANDUIT P/N	WEIGHT
R4P79	96 LBS/EACH 43.6 Kg/EACH
R4PCN79	88 LBS/EACH 40.0 Kg/EACH
R4P79GY/N	96 LBS/EACH 43.6 Kg/EACH



NOTES:

- VISIT OUR ON-LINE CATALOG AT WWW.PANDUIT.COM FOR A LIST OF CURRENT PARTS APPLICABLE FOR USE WITH THIS PRODUCT.
- DIMENSIONS IN PARENTHESIS ARE METRIC.
- INDEPENDENT ADJUSTABLE FRONT & REAR MOUNTING RAILS (EIA) ADJUST FROM 2.75" TO 30" DEPTH.
- CAN BE USED WITH ANY EIA STANDARD COMPONENT IN ADDITION TO ALL PANDUIT HORIZONTAL CABLE MANAGEMENT AND PATCH PANEL PRODUCTS.
- 42 AVAILABLE RACK SPACES.
- EIA UNIVERSAL STANDARD HOLE PROGRESSION ON FRONT CHANNELS AND REAR MOUNT RAILS .625", .625", .500", .625", .625", .500"...ETC.
- ALL RACKS WILL HAVE NUMBERS UP ORIENTATION (RU "01" ON BOTTOM, RU "42" ON TOP). INSTRUCTIONS WILL BE PROVIDED ON HOW TO GET NUMBERS DOWN ORIENTATION.
- RU SPACING NUMBERS ARE CLEARLY PRINTED ON MOUNTING RAILS.
- ALL ASSEMBLY HARDWARE INCLUDED:
 - (16) 3/8-16 X 1" BLACK HEX BOLT
 - (16) 3/8" PAINT PIERCING GROUNDING WASHER
 - (1) TUBE OF ANTI-OXIDIZING PASTE
 - (25) 12-24 X .5" SLOTTED PAN HEAD STEEL SCREW
 - (25) #12-24 CAGE NUTS (ONLY PROVIDED FOR R4PCN)
- EASY ASSEMBLY, ONE WRENCH NEEDED TO INSTALL BOLTS INTO WELDNUTS IN ALL 8 CORNERS.
- FULLY BONDED STRUCTURE WHEN ASSEMBLED PER INSTRUCTIONS.
- LOAD RATING - 2500 LBS.

TITLE		 30" DEEP 4 POST RACK (R4P79, R4PCN79, R4P79GY/N) CUSTOMER DRAWING	
ITEM REVISION NAME		V10687AP/06	
DATASET FILE NAME		V10687AP_DC/06A	
UNLESS OTHERWISE SPECIFIED, DIMENSIONAL TOLERANCES ARE: IN (mm)		MATERIAL:	
.X ± .XX ±		.XXX ± ANGLES ± STEEL	
 THIRD ANGLE PROJECTION		DRAWING NUMBER: V10687AP-DC	
DRAWN BY	DATE	CHK	SCALE
PM	7-27-10	DPN	NONE
SHT 1 OF 3			SIZE A

REV	DATE	BY	CHK	APR	DESCRIPTION	ECN
06A	7-17-16	BAME	RYB	KRKE	UPDATED FEATURE ON PAGE 3 AND DIMS ON PAGE 2	M09000EF
05A	3-28-13	PM	BAK	CMK	B. ADDED R4P79GY/N INFORMATION A. REPLACED DRAWING BORDER	V10679AP-DC
04A	9-13-11	PM	SRK	CMK	REVISED COMPONENT GEOMETRY	V10679AP-DC
03A	9-7-10	PM	DPN	CMK	RELEASED TO PRODUCTION	V10679AP-DC
02A	7-27-10	PM	DPN	CMK	DRAWING RELEASED	V10679AP-DC

D101000DA/15

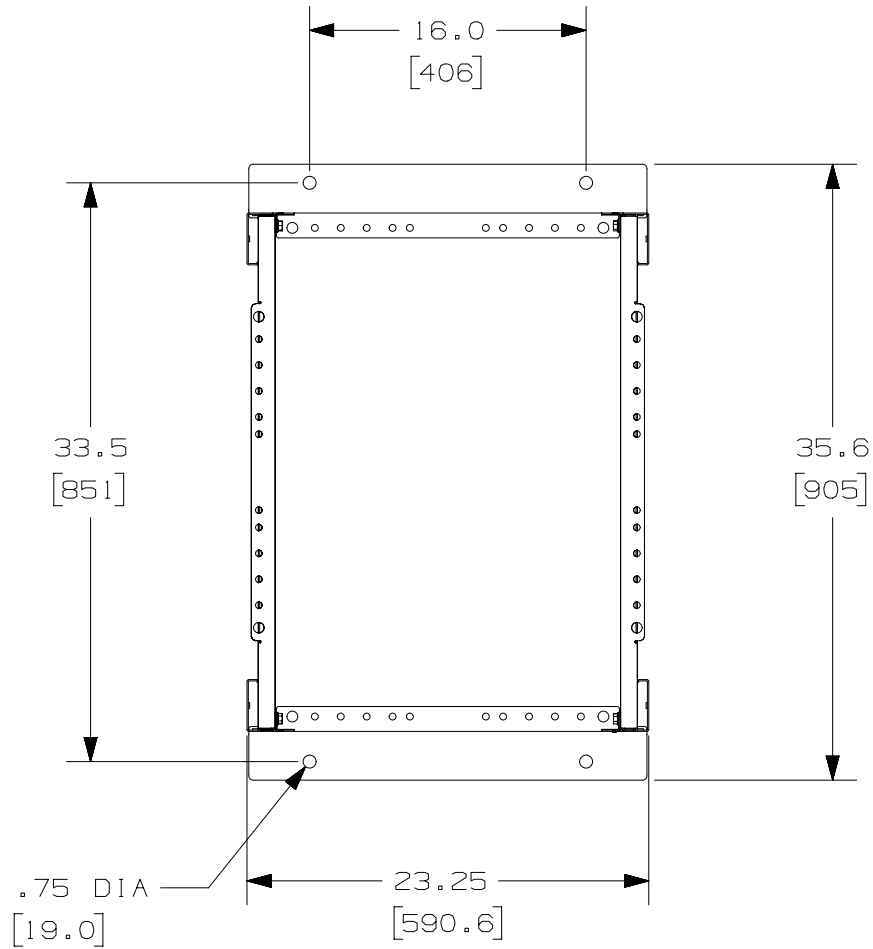
2

1

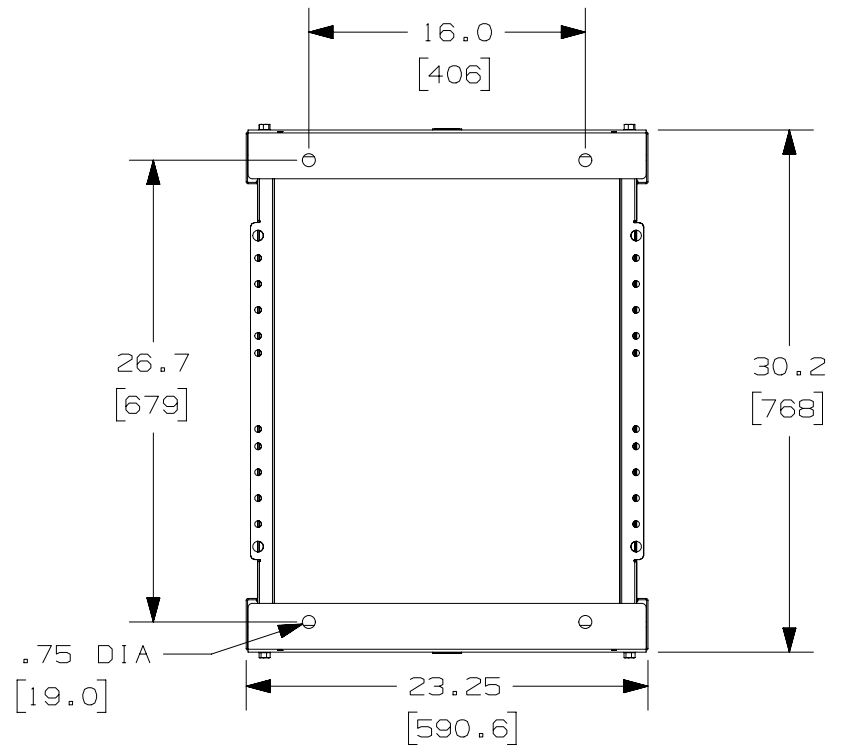
2

1


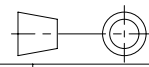
THIS COPY IS PROVIDED ON A RESTRICTED BASIS AND IS NOT TO BE USED IN ANY WAY DETRIMENTAL TO THE INTERESTS OF PANDUIT CORP.



FLOOR FOOTPRINT WITH
BASE ANGLES TURNED
OUTWARD FOR EXTENDED
FOOTPRINT



FLOOR FOOTPRINT WITH
BASE ANGLES TURNED INWARD

TITLE		 30" DEEP 4 POST RACK (R4P79, R4PCN79, R4P79GY/N) CUSTOMER DRAWING	
ITEM REVISION NAME		V10687AP/06	
DATASET FILE NAME		V10687AP_DC/06A	
UNLESS OTHERWISE SPECIFIED, DIMENSIONAL TOLERANCES ARE: IN (mm)		MATERIAL:	
.X ± .XX ± 		STEEL	
THIRD ANGLE PROJECTION		DRAWING NUMBER: V10687AP-DC	
DRAWN BY	DATE	CHK	SCALE
PM	7-27-10	DPN	NONE
SHT 2 OF 3			SIZE A

REV	DATE	BY	CHK	APR	DESCRIPTION	ECN
06A	7-27-16	BAME	RYB	KRKE	SEE SHEET 1 OF 3 FOR REVISIONS	M09000EF
05A	3-28-13	PM	BAK	CMK	SEE SHEET 1 OF 3 FOR REVISIONS	V10679AP-DC
04A	9-13-11	PM	SRK	CMK	SEE SHEET 1 OF 3 FOR REVISIONS	V10679AP-DC
03A	9-7-10	PM	DPN	CMK	SEE SHEET 1 OF 3 FOR REVISIONS	V10679AP-DC
02A	7-27-10	PM	DPN	CMK	SEE SHEET 1 OF 3 FOR REVISIONS	V10679AP-DC

D101000DA/15

