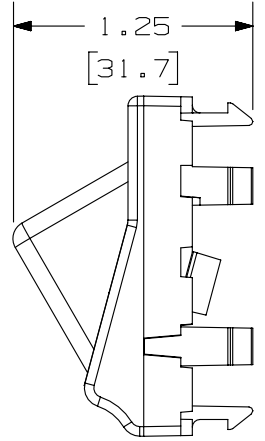
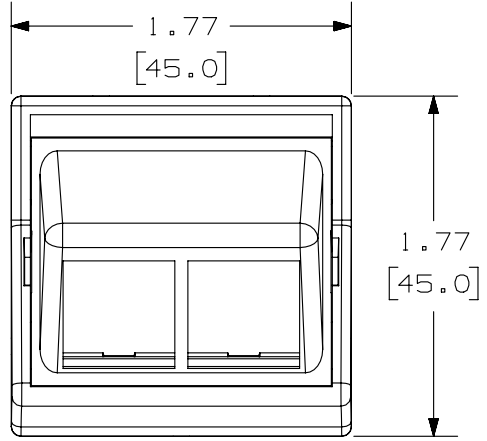
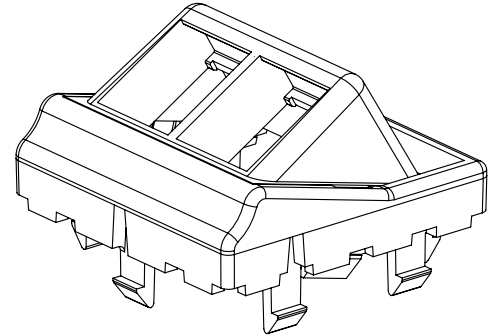


THIS COPY IS PROVIDED ON A RESTRICTED BASIS AND IS NOT TO BE USED IN ANY WAY DETRIMENTAL TO THE INTERESTS OF PANDUIT CORP.

PANDUIT P/N	WEIGHT
NKFS2**	.23 LB/10 PCS (106.3 g/10 PCS)



- NOTES:
1. SEE CURRENT CATALOG FOR ADDITIONAL PART NUMBER SUFFIXES TO INDICATE COLOR AND OR PACKAGE QUANTITY.
 2. SEE CATALOG FOR COMPLETE LIST OF PARTS APPLICABLE FOR USE WITH THIS PART.
 3. DIMENSIONS IN [] ARE IN METRIC.
 4. PART INCLUDES:
 - 1- 45mm x 45mm ADAPTER
 - 1- 2 POSITION NETKEY SLOPED 1/2 INSERT



PART NUMBER		NKFS2**	
TITLE			
NETKEY 2 POSITION 45mm X 45mm SLOPED FRENCH FACEPLATE ADAPTER KIT			
CUSTOMER DRAWING			
ITEM REVISION NAME		M00741FI/01	
DATASET FILE NAME		M00741FI_DC/01B	
UNLESS OTHERWISE SPECIFIED, DIMENSIONAL TOLERANCES ARE: IN [mm]		MATERIAL:	
.x ± .xxx ± .010 [.3]		ABS	
.xx ± .03 [.8]		DRAWING NUMBER:	
ANGLES ±		00741-84	
THIRD ANGLE PROJECTION		SHT 1 OF 1	
DRAWN BY	DATE	CHK	SCALE
JSP	1-12-06	EB	NONE
REV	DATE	BY	CHK
2	5/20/14	JSP	REFR
APR	DESCRIPTION		ECN
JCK	REVISED AND REDRAWN, PREVIOUS REVISIONS HAVE BEEN OMITTED.		00741-84

