



= uO
7 uO

Trumpet Horn LED Array
IP Rating: IP65
Temp: -25°C to +50°C
Unit weight: 215g
CE

Order code Voltage
H100TL030G/x 12-30V DC
• 12V dc 10mA
• 24V dc 24mA

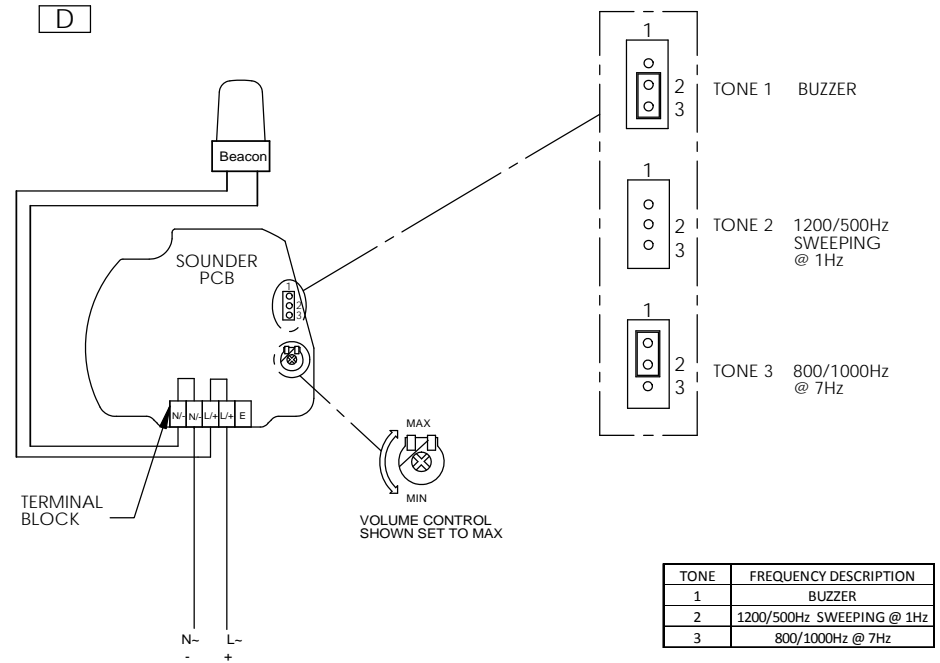
• Beacon Current Consumption
• 12V dc 74mA
• 24V dc 80mA

H100TL230G/x 90-260V AC
• 115V ac 50/60Hz 19mA
• 230V ac 50/60Hz 10mA

• Beacon Current Consumption
• 115V ac 50/60Hz 119mA
• 230V ac 50/60Hz 32mA

Dimensions : Ø85 x 241.2mm
1.5mm² terminals
Cable entry: 1 x 5-7mm push
through grommet

x = Lens colour
R = Red
A = Amber
B = Blue
G = Green
Y = Yellow

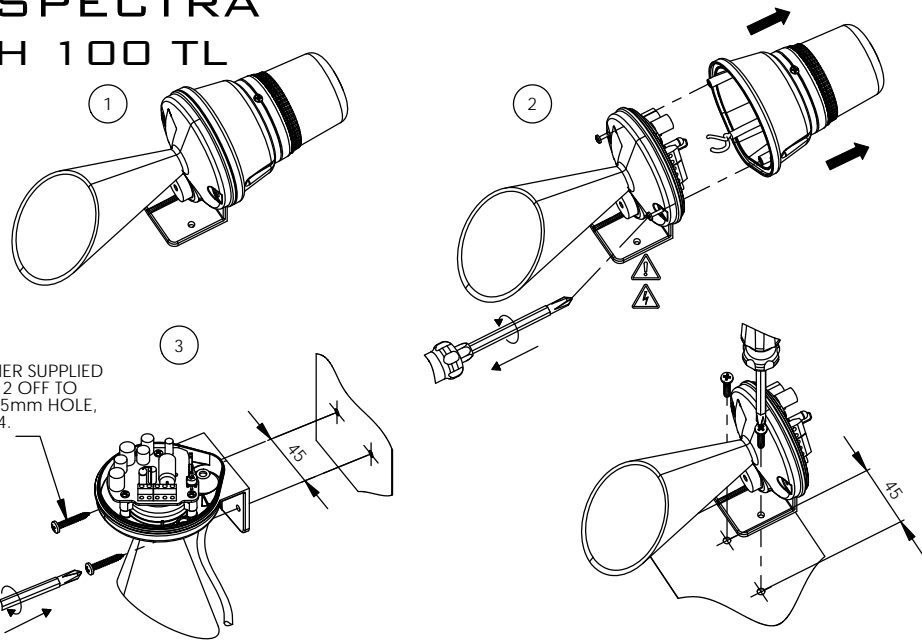


B

- ⚠ ATTENTION:** Installation must be carried out by an electrician in compliance with the latest codes and regulations.
- ⚠ ATTENTION:** Disconnect from power source before installation or service to prevent electric shock.
- ⚠ ATTENTION:** On strobe beacons allow a minimum of 2 minutes for hazardous high voltage to discharge from unit.
- ⚠ ATTENTION:** Lens on unit will be hot allow to cool prior to removal.

C

A SPECTRA H 100 TL



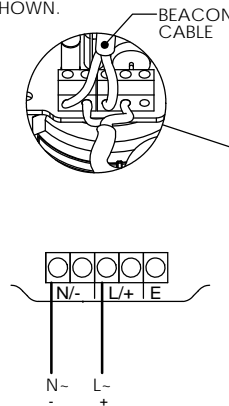
CUSTOMER SUPPLIED
SCREWS 2 OFF TO
SUIT Ø4.5mm HOLE,
No. 8/M4.

Tel: +44 (0)2 8743 8880 Fax: +44 (0)20 8740 4200
mail: sales@e2s.com web: www.e2s.com



C

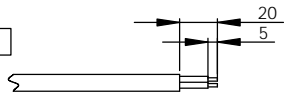
8 CONNECT THE
BEACON CABLES
TO TERMINAL AS
SHOWN.



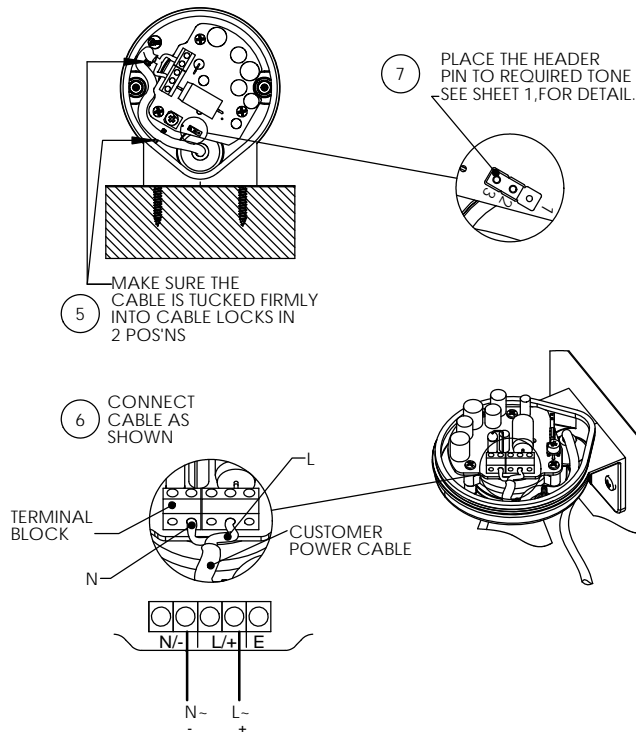
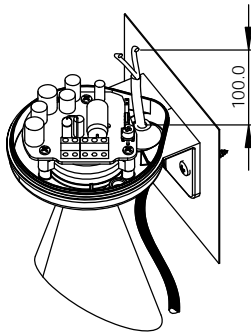
TERMINAL BLOCK	A/C INPUT	D/C INPUT
N/-	N-	-
N/-	N-(FROM BEACON)	-(FROM BEACON)
L/+	L-	+
L/+	L-(FROM BEACON)	+(FROM BEACON)
E		



B



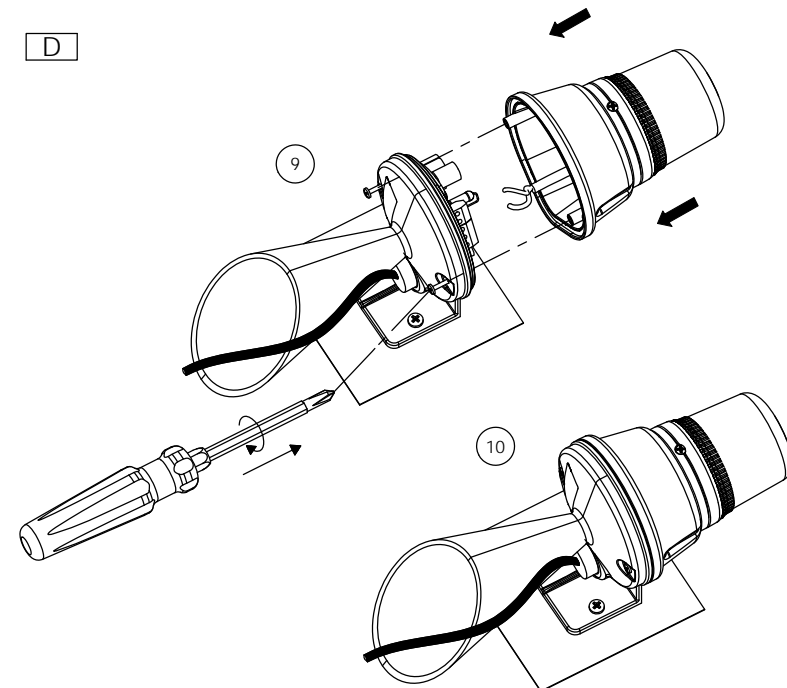
4 INSERT CABLE
THROUGH GROMMET,
STRIP CABLE TO LENGTH.



Dimensions in mm



D



D152-00-201-05_SHT2_ISSUE_1