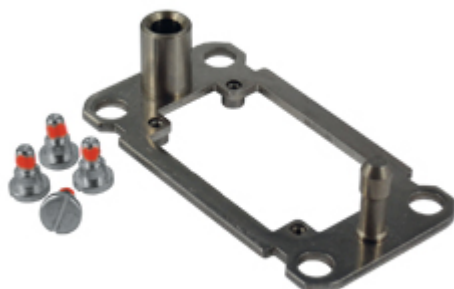


Part number

# CR 24 DF



Docking frame, size "104.27", for inserts size "104.27" and frames for 6 inserts

#### Product description

<b>Product type</b>	Docking frame
<b>Size</b>	Size 104.27
<b>Specification</b>	For inserts size "104.27" and frames for 6 inserts

#### Further technical details

<b>Weight</b>	117,00 g
---------------	----------

#### General ordering information

<b>EAN13 code</b>	8015747182362
<b>eCl@ss 8.1</b>	27440210
<b>ETIM 7.0</b>	EC002310

#### Packaging Information

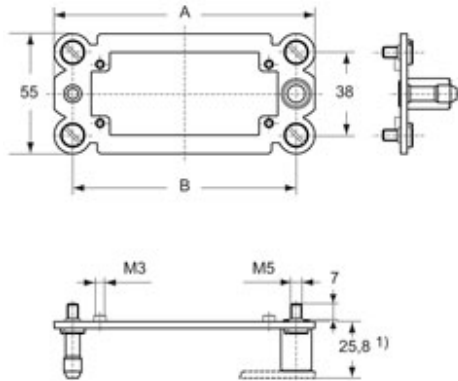
<b>Packaging length</b>	220,00 mm
<b>Packaging height</b>	130,00 mm
<b>Packaging width</b>	240,00 mm
<b>Packaging weight</b>	2,52 kg
<b>Packaging volume</b>	6,86 dm <sup>3</sup>
<b>Packaging description</b>	Carton box
<b>Packaging quantity</b>	20 Pcs
<b>Packaging EAN code</b>	8015747044769
<b>Sub-packaging weight</b>	0,13 kg
<b>Sub-packaging description</b>	Plastic bag
<b>Sub-packaging quantity</b>	1 Pcs
<b>Sub-packaging EAN barcode</b>	8015747182393

Part number

# CR 24 DF



## Catalogue drawings



## Notes

Dimensions shown in mm are not binding and may be changed without notice.

### California Proposition 65 Information



### WARNING

This product can expose you to lead and its compounds, known to the State of California to cause cancer and/or reproductive toxicity. For more information go to [www.P65Warnings.ca.gov](http://www.P65Warnings.ca.gov).