

Part number

# MHO 32 X40



Hood, C-TYPE series, with 2 levers, M40 side cable entry, size "77.62", without gasket



|   |                                   |                                     |  |
|---|-----------------------------------|-------------------------------------|--|
| <b>Product description</b>                    |                                   | <b>Material properties</b>          |  |
| <b>Product type</b>                           | Hood                              | <b>Other materials</b>              | Lever: Stainless steel, polyamide (PA)   |
| <b>Series</b>                                 | C-TYPE                            | <b>Colour</b>                       | RAL 7040 grey  |
| <b>Closing type</b>                           | With 2 levers                     |                                     | Compliant with exemption 6(c): copper alloy containing up to 4% lead by weight |
| <b>Size</b>                                   | Size 77.62                        | <b>RoHs conformity</b>              |  |
| <b>Cable entry</b>                            | Side cable entry with adapter M40 | <b>China RoHs - EFUP</b>            | 50   |
| <b>Specification</b>                          | Without gasket                    | <b>REACH SVHC substances</b>        | Yes<br>Lead  |
| <b>Technical data</b>                         |                                   | <b>SCIP number</b>                  | 15deaf78-e939-4401-a0b0-e2228ca32a03   |
| <b>IP degree of protection</b>                | IP65 / IP66 / IP69                | <b>Approvals / Standards</b>        |  |
| <b>Further technical details</b>              |                                   | <b>Certifications</b>               | DNV, BV  |
| <b>Weight</b>                                 | 560,00 g                          | <b>UL</b>                           | ECBT2  |
| <b>Operating temperature range (min, max)</b> | -40°C...+125°C                    | <b>cUL</b>                          | ECBT8  |
|   |                                   | <b>General ordering information</b> |  |
|   |                                   | <b>EAN13 code</b>                   | 8015747053662  |
|   |                                   | <b>eCl@ss 8.1</b>                   | 27440202   |
|   |                                   | <b>ETIM 7.0</b>                     | EC000437   |
|   |                                   | <b>Packaging Information</b>        |  |
|   |                                   | <b>Packaging weight</b>             | 4,75 kg  |
|   |                                   | <b>Packaging volume</b>             | 14,20 dm <sup>3</sup>  |
|   |                                   | <b>Packaging description</b>        | Carton box   |
|   |                                   | <b>Packaging quantity</b>           | 8 Pcs  |
|   |                                   | <b>Packaging EAN code</b>           | 8015747053679  |
|   |                                   | <b>Sub-packaging weight</b>         | 0,59 kg  |
|   |                                   | <b>Sub-packaging description</b>    | Plastic packaging  |
|   |                                   | <b>Sub-packaging quantity</b>       | 1 Pcs  |
|   |                                   | <b>Sub-packaging EAN barcode</b>    | 8015747053686  |

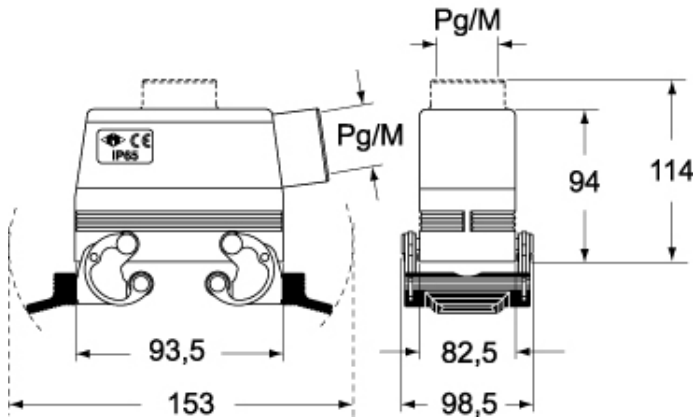
Part number

# MHO 32 X40



Catalogue drawings

**CHO X - CHV X MHO/MFO/MFV X - MHV X**



## Notes

Dimensions shown in mm are not binding and may be changed without notice.