

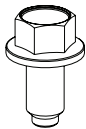
**Tool List:**

- 7mm Socket

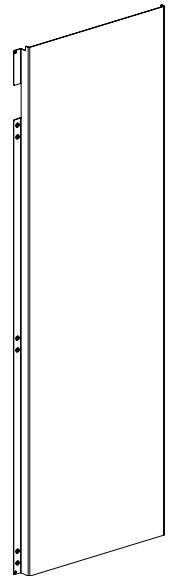
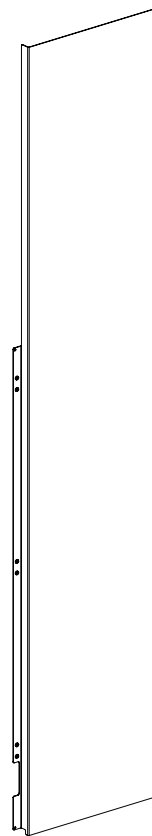


Partial Depth  
Inside Panel  
Qty: 1

Partial Depth  
Outside Panel  
Qty: 1

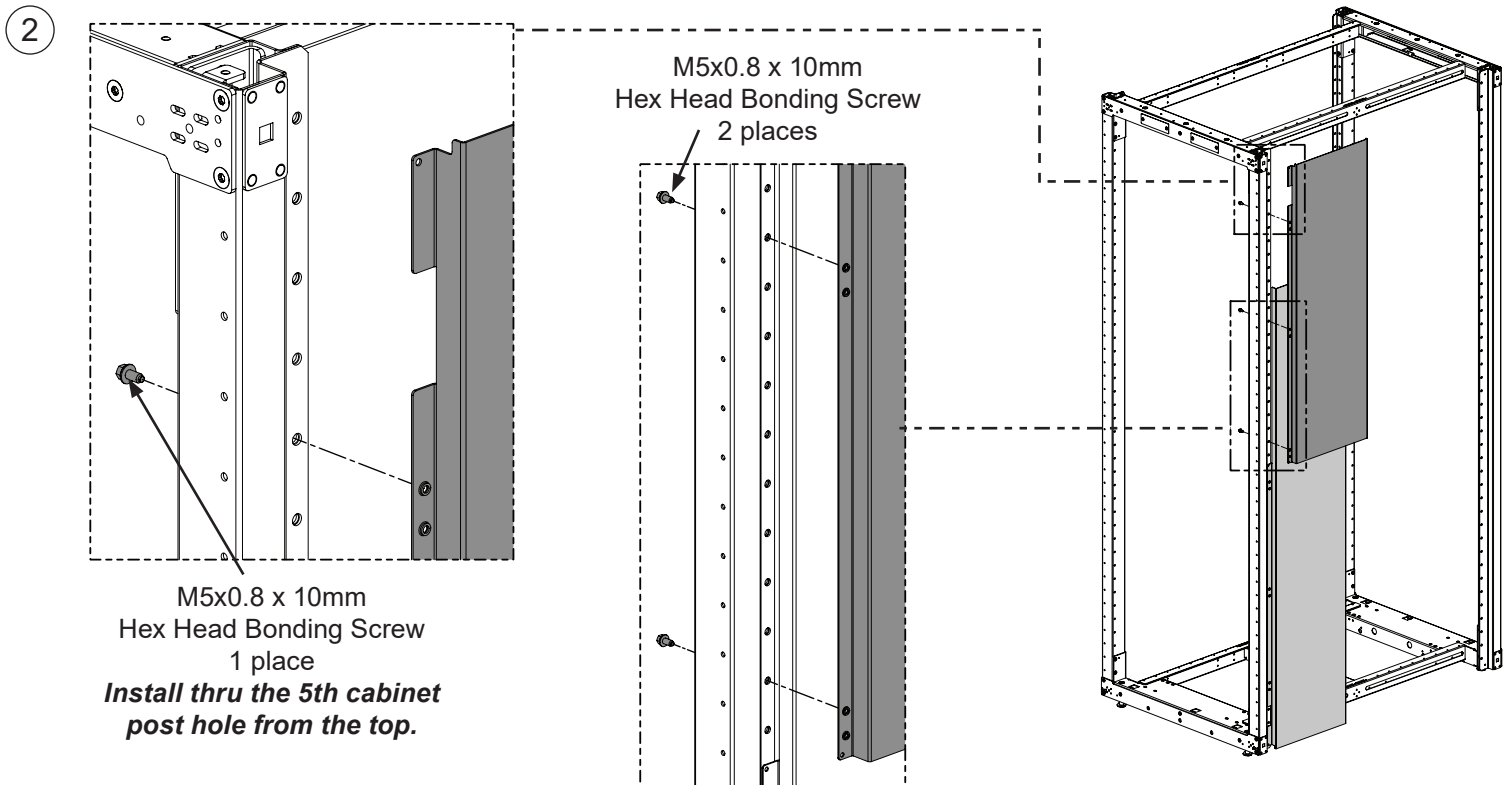
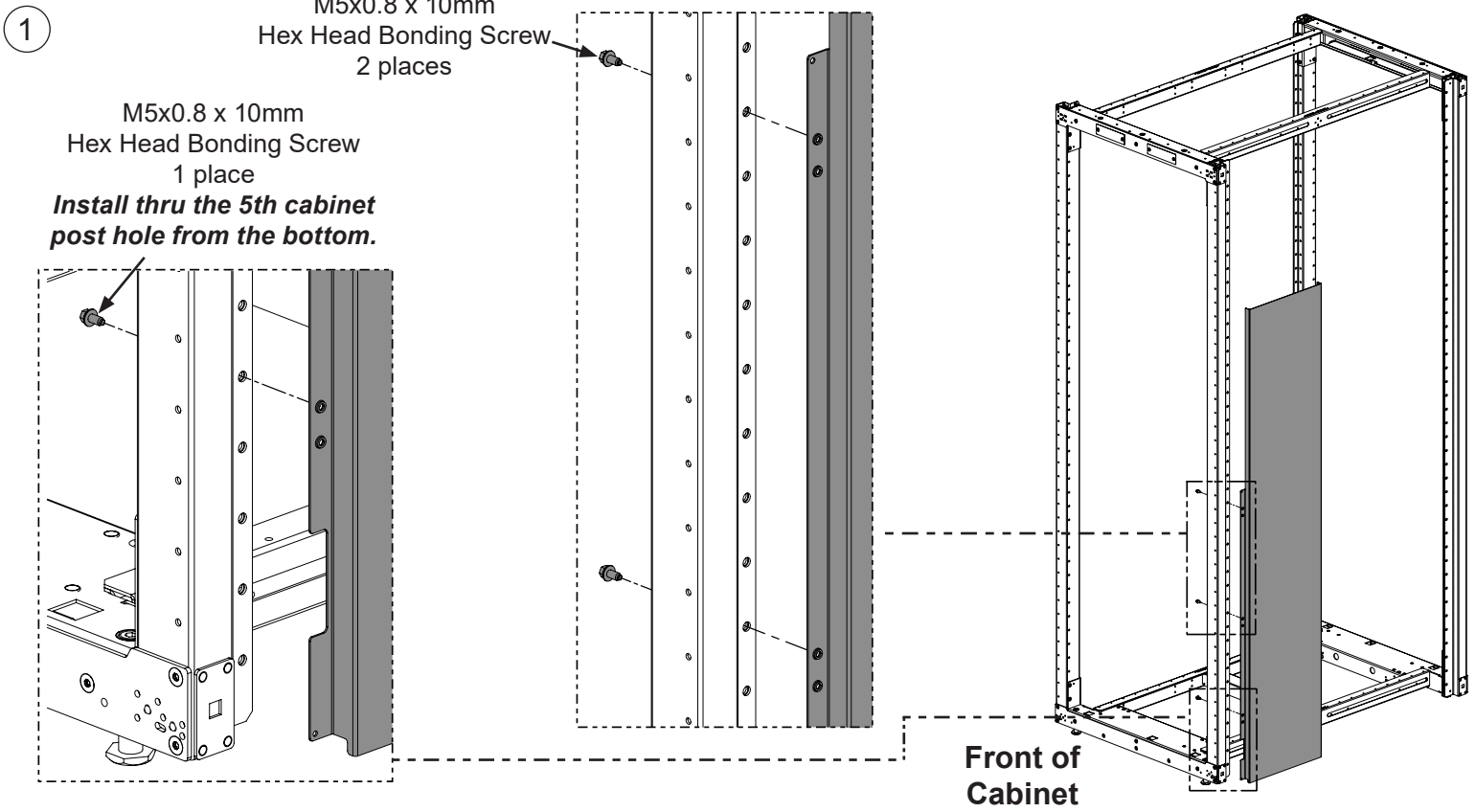


M5x0.8 x 10mm  
Hex Head Bonding Screw  
Qty: 8

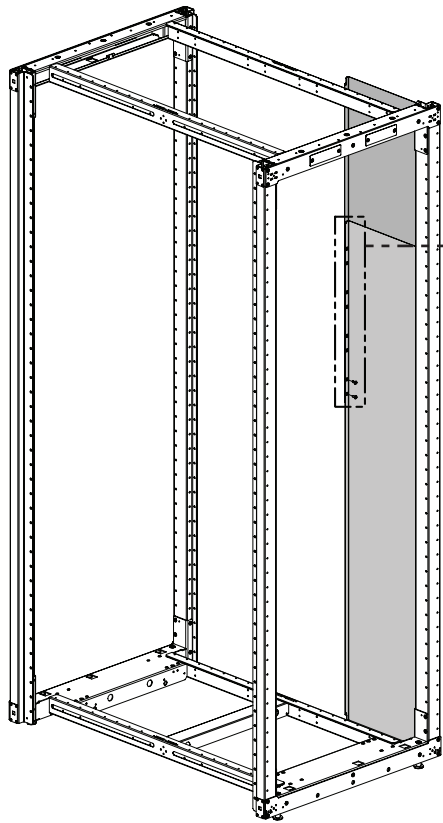


### Right Hand Installation of Partial Depth Side Panel to Side of the Cabinet Frame

- Install Inside Panel to bottom of the right side of cabinet frame using (3) M5x0.8 x 10mm Hex Head Bonding Screws.
- Install Outside Panel to top of the right side of cabinet frame using (3) M5x0.8 x 10mm Hex Head Bonding Screws.
- Connect Outside Panel to the Inside Panel using (2) M5x0.8 x 10mm Hex Head Bonding Screws.

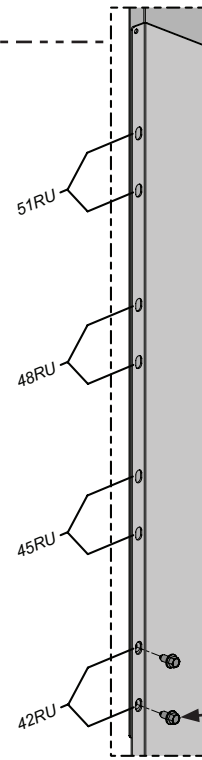


3



Connect the Panels together by installing (2) M5x0.8 x 10mm Hex Head Bonding Screws in locations shown for your cabinet height.

Front of Cabinet

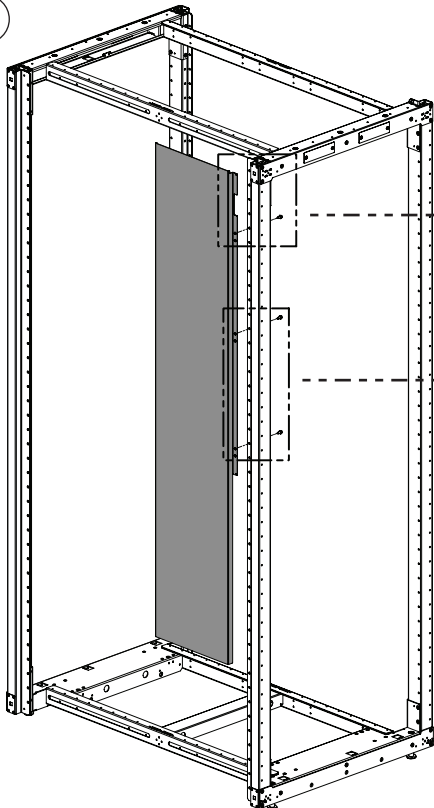


M5x0.8 x 10mm Hex Head Bonding Screw 2 places

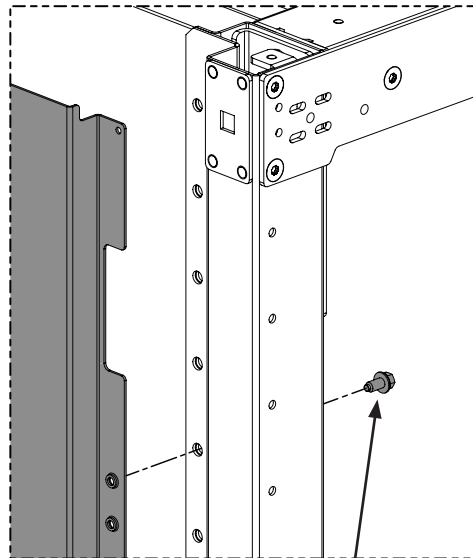
**Left Hand Installation of Partial Depth Side Panel to Side of the Cabinet Frame**

- Install Inside Panel to top of the left side of cabinet frame using (3) M5x0.8 x 10mm Hex Head Bonding Screws.
- Install Outside Panel to bottom of the left side of cabinet frame using (3) M5x0.8 x 10mm Hex Head Bonding Screws.
- Connect Outside Panel to the Inside Panel using (2) M5x0.8 x 10mm Hex Head Bonding Screws.

1

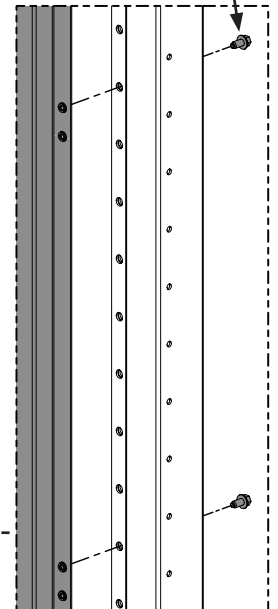


Front of Cabinet

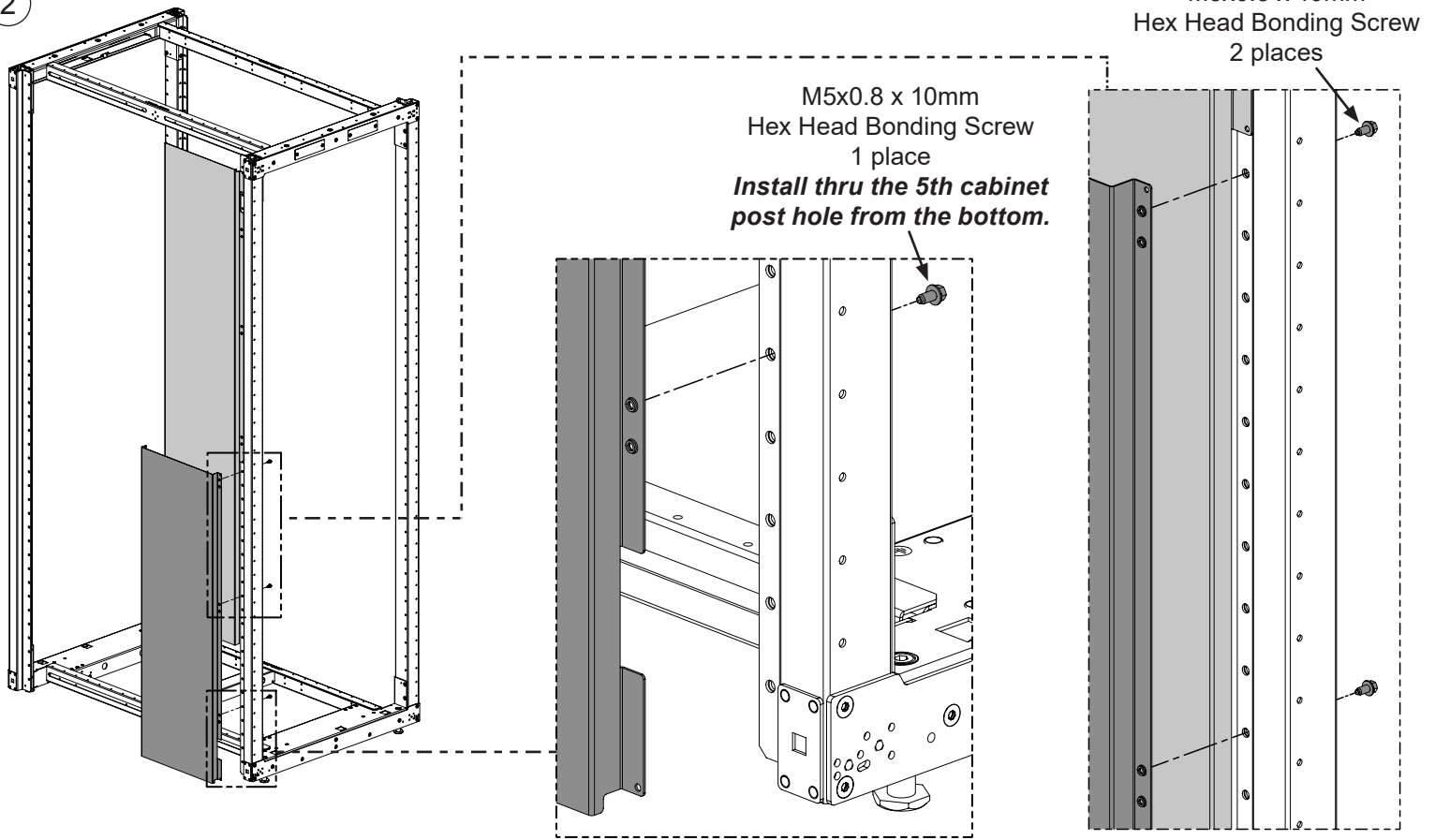


M5x0.8 x 10mm Hex Head Bonding Screw 1 place  
Install thru the 5th cabinet post hole from the top.

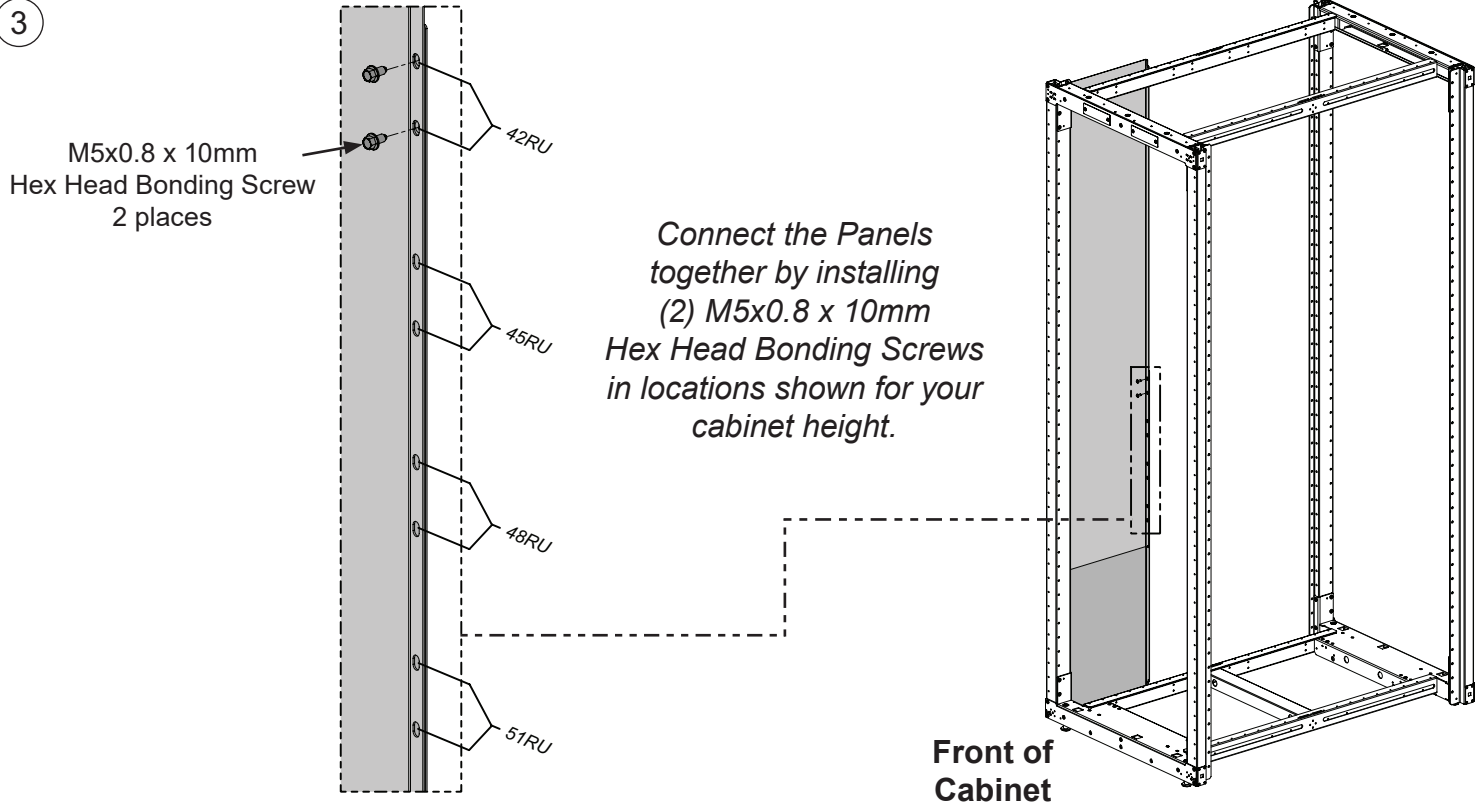
M5x0.8 x 10mm Hex Head Bonding Screw 2 places



2



3



For Instructions in Local Languages and Technical Support:

[www.panduit.com/resources/install\\_maintain.asp](http://www.panduit.com/resources/install_maintain.asp)

**PANDUIT**

[www.panduit.com](http://www.panduit.com)

E-mail: [techsupport@panduit.com](mailto:techsupport@panduit.com)

Phone: 866-405-6654