



Product designation

Current transformers

Product type designation

DM0T0150

Type of CT

Solid-core

Current inputs

Primary current I_{pn} (/5)	A	150
Operational frequency	min max	Hz Hz 50 60
Secondary output current	A	5
Overload withstand I_{pn}	%	120
Burden	cl. 1 VA	2

Insulations

Rated insulation voltage U_i IEC/EN	V	720
IEC rated short-time thermal current I_{th}	I_{th} for s	40...60
IEC rated dynamic current I_{dyn}	I_{th} for s	2.5
Insulation dry type		Class E

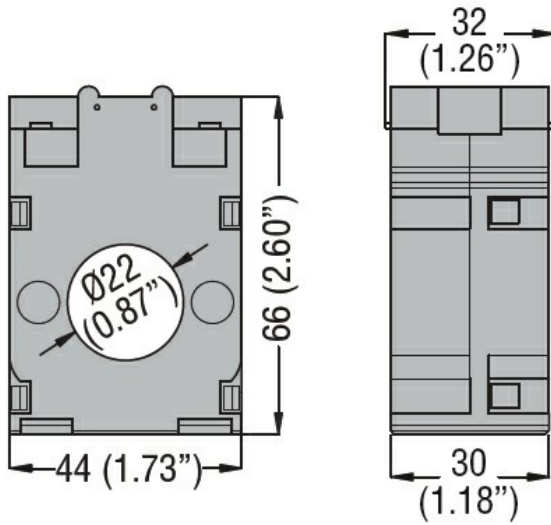
Mechanical features

Terminals type		Screw
Fixing		DIN rail or by Screw
Weight	g	200

Ambient conditions

Temperature			
Operating temperature			
	min	°C	-25
	max	°C	+50
Storage temperature			
	min	°C	-40
	max	°C	+80
Relative humidity		%	90
Protection degree			IP30

Dimensions



Certifications and compliance

Certifications

IEC/EN/BS 61869-1

IEC/EN/BS 61869-2

Compliance

EAC

ETIM classification

EC000066 - Power contactor, AC switching

□