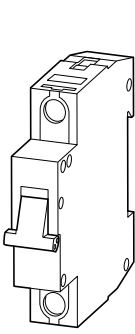
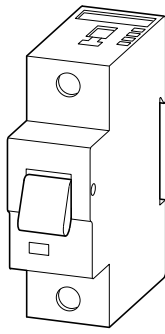


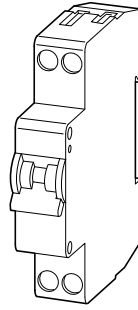
**FAZ-...**  
**AZ-...**



FAZ-...



AZ-...



FAZ-PN-...

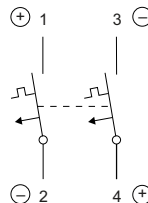
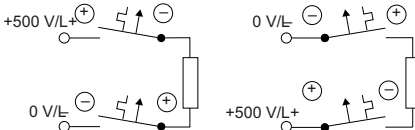
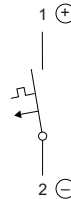
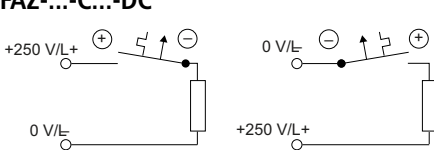


Z 2

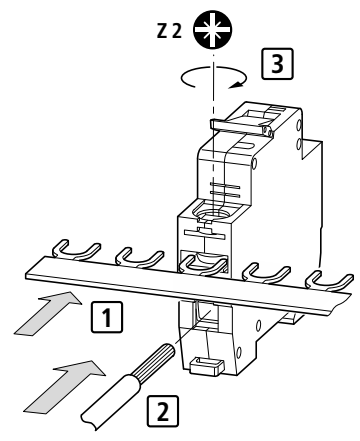
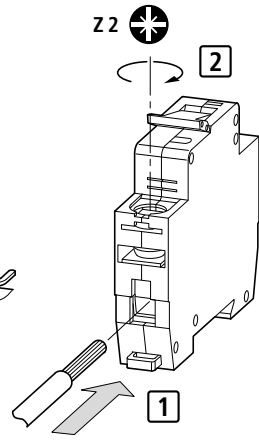
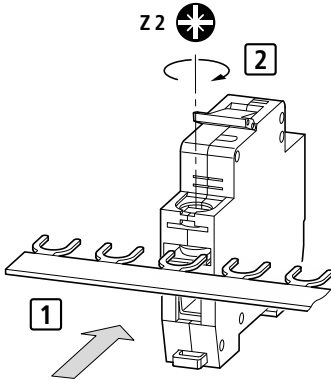


|           | FAZ-...                         | AZ-...                         | FAZ-PN-...                      |
|-----------|---------------------------------|--------------------------------|---------------------------------|
|           | 1 x (1 – 25) mm <sup>2</sup>    | 1 x (2.5 – 50) mm <sup>2</sup> | 1 x (1 – 16) mm <sup>2</sup>    |
|           | 2 x (1 – 10) mm <sup>2</sup>    | 2 x (2.5 – 25) mm <sup>2</sup> | 2 x (1 – 6) mm <sup>2</sup>     |
|           | 1 x (0.75 – 16) mm <sup>2</sup> | –                              | 1 x (0.75 – 10) mm <sup>2</sup> |
| DIN 46228 | 2 x (4 – 6) mm <sup>2</sup>     | 2 x (2.5 – 16) mm <sup>2</sup> | 2 x (1 – 4) mm <sup>2</sup>     |
|           | 2.4 Nm                          | 3.0 Nm                         | 1.5 Nm                          |

**FAZ-...-C...-DC**



FAZ-XIS..., FAZ-(PN<...), FAZ-...-NA



| Supplementary Protector<br>Technical Data | USA/Canada<br>UL 1077<br>CSA 22.2 No. 235 – M89         |
|---|---|
| FAZB                                      | 6 A to 63 A   |
| FAZC; (FAZ-...>DC)                        | 0.5 A to 63 A   |
| FAZD                                      | 0.5 A to 40 A   |
| FAZR                                      | 6 A to 40 A   |
| FAZS                                      | 1 A to 16 A   |
| 1 phase:<br>5 kA – 277 V ~ 60 Hz          | Tripping Current:<br>155 % of rated current<br>at 30 °C |
| 3 phase:<br>5 kA – 277/480 V ~ 60 Hz      | Cu 75 °C, min. AWG 18,<br>max. AWG 4; Nm 2.4            |

| Circuit Breaker UL 489<br>FAZ-...-NA   |         |
|--|---------|
| Spacings for multiple pole installations where breakers are mounted adjacent to each other and are connected to different polarity circuits must be maintained as following: |         |
| Through Air  | 19.1 mm |
| Over Surface   | 31.8 mm |

In conjunction with an upstream device fuse up to  $4 \times I_n$  (max. 100A)