

PART No. MATRIX

E 2 2 E 0 6 0 2 1 M X X X X

E=ETHERNET/
Ethernet

HEADS:
1 = M12 D-Coding

HEADS STYLE:
060 = MALE STR / MALE STR

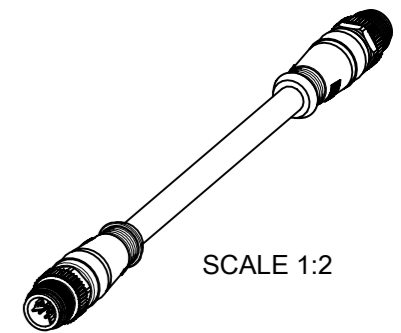
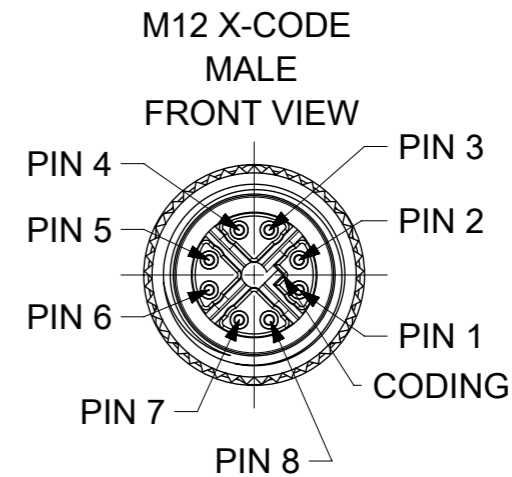
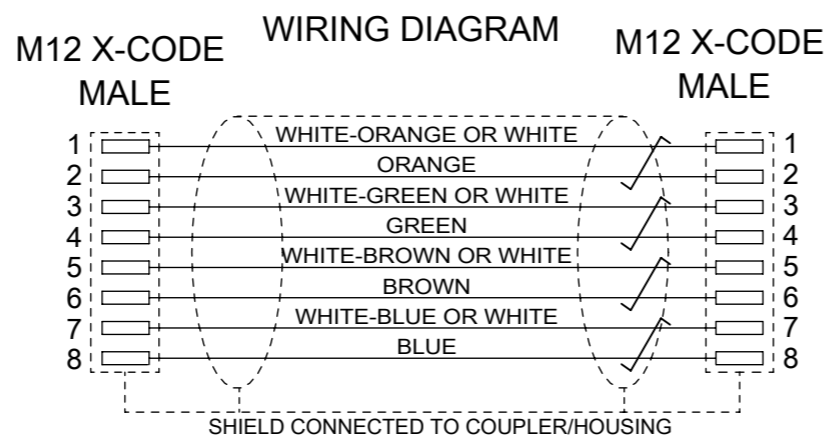
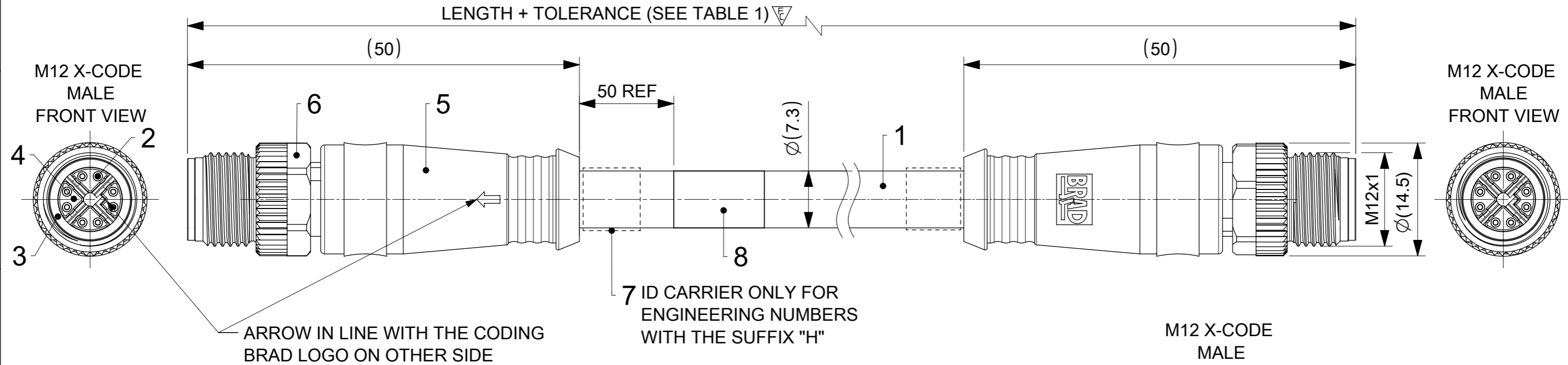
CABLE TYPE:
CABLE 21

UNITS:
M= METER
T=10x METER

LENGTH EXAMPLES:
005=0.5 m
010=1 m
150=15 m
T100=100 m

H= 2 PCS. OF I/D Carrier

WIRING TYPE:
E=8 Pole (STRAIGHT WIRED)



BILL OF MATERIAL

| ITEM | QTY | DESCRIPTION | MATERIAL | FINISH/COLOR |
|------|-----|----------------------------|----------|----------------------------|
| 1 | 1 | CABLE 4X(2X AWG26/7) CAT 7 | TPE | GREEN TEAL SIMILAR RAL6026 |
| 2 | 16 | CONTACT M12 XC MALE | BRASS | Au PLATED |
| 3 | 2 | SHIELD SLEEVE | Zn | Ni PLATED |
| 4 | 2 | INSERT M12 XC MALE | PA | BLACK |
| 5 | - | MOULDING MATERIAL | TPU | BLACK |
| 6 | 2 | M12 HYBRID COUPLING NUT | BRASS | Ni PLATED |
| 7 | 2 | I/D CARRIER 6-10mmx30mm | PVC | TRANSPARENT |
| 8 | 1 | LABEL 2.0X1.75 | VINYL | YELLOW |

DOCUMENT STATUS P1 RELEASE DATE 2024/03/21 10:35:13

| FUNCTIONAL SYMBOLS | THIS DRAWING CONTAINS INFORMATION THAT IS PROPRIETARY TO MOLEX ELECTRONIC TECHNOLOGIES, LLC AND SHOULD NOT BE USED WITHOUT WRITTEN PERMISSION | SCALE | CURRENT REV DESC: CABLE COLOR UPDATED |
|--------------------|---|--------|---------------------------------------|
| $\nabla_{A/}$ = 0 | mm | 2:1 | |
| $\nabla_{E/}$ = 1 | GENERAL TOLERANCES (UNLESS SPECIFIED) | | |
| $\nabla_{E/}$ = 0 | ANGULAR TOL $\pm 1.0^\circ$ | | |
| | 4 PLACES \pm | | |
| | 3 PLACES \pm | | |
| | 2 PLACES ± 0.05 | | |
| | 1 PLACE ± 0.3 | | |
| | 0 PLACES ± 0.5 | | |
| DIVISIONAL SYMBOLS | THIRD ANGLE PROJECTION | | |
| | DRAWING SERIES MATERIAL NUMBER CUSTOMER SHEET NUMBER | | |
| | A3-SIZE | 120341 | SEE TABLE 1 GENERAL MARKET 1 OF 2 |

molex

CSE M12 CAT6A 8P XC MA STR TPE XM

PRODUCT CUSTOMER DRAWING

DOCUMENT NUMBER 1203410863

DOC TYPE DOC PART REVISION PSD 000 A8

TABLE 1


| MOLEX P/N | ENGINEERING NO. | DESCRIPTION | LENGTH |
|------------|-----------------|---|--------|
| 1203410941 | E22E06021M003 | M12 CAT6A M/M ST/ST TPE GREEN TEAL SIMILAR RAL6026 0.3M | 300 |
| 1203410863 | E22E06021M005 | M12 CAT6A M/M ST/ST TPE GREEN TEAL SIMILAR RAL6026 0.5M | 500 |
| 1203410864 | E22E06021M010 | M12 CAT6A M/M ST/ST TPE GREEN TEAL SIMILAR RAL6026 1M | 1000 |
| 1203410865 | E22E06021M020 | M12 CAT6A M/M ST/ST TPE GREEN TEAL SIMILAR RAL6026 2M | 2000 |
| 1203410866 | E22E06021M030 | M12 CAT6A M/M ST/ST TPE GREEN TEAL SIMILAR RAL6026 3M | 3000 |
| 1203410867 | E22E06021M040 | M12 CAT6A M/M ST/ST TPE GREEN TEAL SIMILAR RAL6026 4M | 4000 |
| 1203410868 | E22E06021M050 | M12 CAT6A M/M ST/ST TPE GREEN TEAL SIMILAR RAL6026 5M | 5000 |
| 1203410869 | E22E06021M060 | M12 CAT6A M/M ST/ST TPE GREEN TEAL SIMILAR RAL6026 6M | 6000 |
| 1203410895 | E22E06021M070 | M12 CAT6A M/M ST/ST TPE GREEN TEAL SIMILAR RAL6026 7M | 7000 |
| 1203410870 | E22E06021M080 | M12 CAT6A M/M ST/ST TPE GREEN TEAL SIMILAR RAL6026 8M | 8000 |
| 1203410896 | E22E06021M090 | M12 CAT6A M/M ST/ST TPE GREEN TEAL SIMILAR RAL6026 9M | 9000 |
| 1203410871 | E22E06021M100 | M12 CAT6A M/M ST/ST TPE GREEN TEAL SIMILAR RAL6026 10M | 10000 |
| 1203410942 | E22E06021M120 | M12 CAT6A M/M ST/ST TPE GREEN TEAL SIMILAR RAL6026 12M | 12000 |
| 1203410943 | E22E06021M140 | M12 CAT6A M/M ST/ST TPE GREEN TEAL SIMILAR RAL6026 14M | 14000 |
| 1203410872 | E22E06021M150 | M12 CAT6A M/M ST/ST TPE GREEN TEAL SIMILAR RAL6026 15M | 15000 |
| 1203410944 | E22E06021M180 | M12 CAT6A M/M ST/ST TPE GREEN TEAL SIMILAR RAL6026 18M | 18000 |
| 1203410873 | E22E06021M200 | M12 CAT6A M/M ST/ST TPE GREEN TEAL SIMILAR RAL6026 20M | 20000 |
| 1203410945 | E22E06021M230 | M12 CAT6A M/M ST/ST TPE GREEN TEAL SIMILAR RAL6026 23M | 23000 |
| 1203410946 | E22E06021M270 | M12 CAT6A M/M ST/ST TPE GREEN TEAL SIMILAR RAL6026 27M | 27000 |
| 1203410947 | E22E06021M300 | M12 CAT6A M/M ST/ST TPE GREEN TEAL SIMILAR RAL6026 30M | 30000 |
| 1203410948 | E22E06021M340 | M12 CAT6A M/M ST/ST TPE GREEN TEAL SIMILAR RAL6026 34M | 34000 |
| 1203410949 | E22E06021M380 | M12 CAT6A M/M ST/ST TPE GREEN TEAL SIMILAR RAL6026 38M | 38000 |
| 1203410950 | E22E06021M420 | M12 CAT6A M/M ST/ST TPE GREEN TEAL SIMILAR RAL6026 42M | 42000 |
| 1203410951 | E22E06021M460 | M12 CAT6A M/M ST/ST TPE GREEN TEAL SIMILAR RAL6026 46M | 46000 |
| 1203410952 | E22E06021M500 | M12 CAT6A M/M ST/ST TPE GREEN TEAL SIMILAR RAL6026 50M | 50000 |
| 1203410953 | E22E06021M540 | M12 CAT6A M/M ST/ST TPE GREEN TEAL SIMILAR RAL6026 54M | 54000 |
| 1203410954 | E22E06021M570 | M12 CAT6A M/M ST/ST TPE GREEN TEAL SIMILAR RAL6026 57M | 57000 |
| 1203410955 | E22E06021M610 | M12 CAT6A M/M ST/ST TPE GREEN TEAL SIMILAR RAL6026 61M | 61000 |
| 1203410956 | E22E06021M650 | M12 CAT6A M/M ST/ST TPE GREEN TEAL SIMILAR RAL6026 65M | 65000 |
| 1203410957 | E22E06021M700 | M12 CAT6A M/M ST/ST TPE GREEN TEAL SIMILAR RAL6026 70M | 70000 |
| 1203411133 | E22E06021M950 | M12 CAT6A M/M ST/ST TPE GREEN TEAL SIMILAR RAL6026 95M | 95000 |

TABLE 1

| WITH ID CARRIER | | | |
|-----------------|-----------------|--|--------|
| MOLEX P/N | ENGINEERING NO. | DESCRIPTION | LENGTH |
| 1203410999 | E22E06021M005H | M12 CAT6A M/M ST/ST TPE GREEN TEAL SIMILAR RAL6026 0.5M-ID | 500 |
| 1203411031 | E22E06021M010H | M12 CAT6A M/M ST/ST TPE GREEN TEAL SIMILAR RAL6026 1M-ID | 1000 |
| 1203411032 | E22E06021M020H | M12 CAT6A M/M ST/ST TPE GREEN TEAL SIMILAR RAL6026 2M-ID | 2000 |
| 1203411033 | E22E06021M030H | M12 CAT6A M/M ST/ST TPE GREEN TEAL SIMILAR RAL6026 3M-ID | 3000 |
| 1203411034 | E22E06021M040H | M12 CAT6A M/M ST/ST TPE GREEN TEAL SIMILAR RAL6026 4M-ID | 4000 |
| 1203411003 | E22E06021M050H | M12 CAT6A M/M ST/ST TPE GREEN TEAL SIMILAR RAL6026 5M-ID | 5000 |
| 1203411092 | E22E06021M060H | M12 CAT6A M/M ST/ST TPE GREEN TEAL SIMILAR RAL6026 6M-ID | 6000 |
| 1203411093 | E22E06021M070H | M12 CAT6A M/M ST/ST TPE GREEN TEAL SIMILAR RAL6026 7M-ID | 7000 |
| 1203411094 | E22E06021M080H | M12 CAT6A M/M ST/ST TPE GREEN TEAL SIMILAR RAL6026 8M-ID | 8000 |
| 1203411000 | E22E06021M100H | M12 CAT6A M/M ST/ST TPE GREEN TEAL SIMILAR RAL6026 10M-ID | 10000 |
| 1203411035 | E22E06021M120H | M12 CAT6A M/M ST/ST TPE GREEN TEAL SIMILAR RAL6026 12M-ID | 12000 |
| 1203411036 | E22E06021M150H | M12 CAT6A M/M ST/ST TPE GREEN TEAL SIMILAR RAL6026 15M-ID | 15000 |
| 1203411037 | E22E06021M200H | M12 CAT6A M/M ST/ST TPE GREEN TEAL SIMILAR RAL6026 20M-ID | 20000 |
| 1203410918 | E22E06021M250H | M12 CAT6A M/M ST/ST TPE GREEN TEAL SIMILAR RAL6026 25M-ID | 25000 |
| 1203410919 | E22E06021M300H | M12 CAT6A M/M ST/ST TPE GREEN TEAL SIMILAR RAL6026 30M-ID | 30000 |
| 1203410920 | E22E06021M350H | M12 CAT6A M/M ST/ST TPE GREEN TEAL SIMILAR RAL6026 35M-ID | 35000 |
| 1203410978 | E22E06021M400H | M12 CAT6A M/M ST/ST TPE GREEN TEAL SIMILAR RAL6026 40M-ID | 40000 |
| 1203410979 | E22E06021M450H | M12 CAT6A M/M ST/ST TPE GREEN TEAL SIMILAR RAL6026 45M-ID | 45000 |
| 1203410921 | E22E06021M500H | M12 CAT6A M/M ST/ST TPE GREEN TEAL SIMILAR RAL6026 50M-ID | 50000 |
| 1203410980 | E22E06021M550H | M12 CAT6A M/M ST/ST TPE GREEN TEAL SIMILAR RAL6026 55M-ID | 55000 |
| 1203411001 | E22E06021M600H | M12 CAT6A M/M ST/ST TPE GREEN TEAL SIMILAR RAL6026 60M-ID | 60000 |
| 1203410981 | E22E06021M650H | M12 CAT6A M/M ST/ST TPE GREEN TEAL SIMILAR RAL6026 65M-ID | 65000 |
| 1203410982 | E22E06021M700H | M12 CAT6A M/M ST/ST TPE GREEN TEAL SIMILAR RAL6026 70M-ID | 70000 |
| 1203410983 | E22E06021M750H | M12 CAT6A M/M ST/ST TPE GREEN TEAL SIMILAR RAL6026 75M-ID | 75000 |
| 1203411002 | E22E06021M850H | M12 CAT6A M/M ST/ST TPE GREEN TEAL SIMILAR RAL6026 85M-ID | 85000 |
| 1203411038 | E22E06021M800H | M12 CAT6A M/M ST/ST TPE GREEN TEAL SIMILAR RAL6026 80M-ID | 80000 |

NOTES:
 VOLTAGE RATING: 48 V
 CURRENT RATING: 0.5 A
 TEMPERATURE RATING:
 STATIC: -40 °C TO 80 °C
 DYNAMIC: -25 °C TO 80 °C
 IP RATING: IP 67 (IN MATED AND LOCKED CONDITION)
 TRANSMISSION CHARACTERISTICS ACCORDING TO ISO/IEC 11801 CLASS E_A CHANNEL,
 WITH INSERTION LOSS BEING IGNORED FOR CABLE LENGTHS <1 m OR >= 65 m
 PRODUCT POE++ PERFORMANCED TESTED UP TO 65m LENGTH
 PACKAGING: CORDSETS ARE PACKED IN A POLYBAG

| CABLE LENGTH TOLERANCES | |
|-------------------------|------------|
| LENGTH | TOLERANCE |
| 0 m - 1 m | +40 mm |
| >1 m - 5 m | +60 mm |
| >5 m - 10 m | +80 mm |
| >10 m - 20 m | +140 mm |
| >20 m - 30 m | +160 mm |
| >30 m | +1% length |

| | | | | | |
|--|---|----------------------------|---------------------------------------|--|--|
| FUNCTIONAL SYMBOLS ∇/A = 0 ∇/E = 0 ∇/V = 0 | THIS DRAWING CONTAINS INFORMATION THAT IS PROPRIETARY TO MOLEX ELECTRONIC TECHNOLOGIES, LLC AND SHOULD NOT BE USED WITHOUT WRITTEN PERMISSION | | CURRENT REV DESC: CABLE COLOR UPDATED | |  CSE M12 CAT6A 8P XC MA STR TPE XM |
| | DIMENSION UNITS mm | SCALE 1:1 | GENERAL TOLERANCES (UNLESS SPECIFIED) | | |
| DIVISIONAL SYMBOLS | ANGULAR TOL ± 1.0 ° | | EC NO: 780754 | | PRODUCT CUSTOMER DRAWING DOCUMENT NUMBER: 1203410863 DOC TYPE: PSD DOC PART: 000 REVISION: A8 |
| | 4 PLACES ± | | DRWN: RSCHIEBER 2024/03/20 | | |
| 3 PLACES ± | | CHK'D: RSILLER 2024/03/21 | | MATERIAL NUMBER: SEE TABLE 1 CUSTOMER: GENERAL MARKET SHEET NUMBER: 2 OF 2 | |
| 2 PLACES ± 0.05 | | APPR: RSILLER 2024/03/21 | | | |
| 1 PLACE ± 0.3 | | INITIAL REVISION: | | | |
| 0 PLACES ± 0.5 | | DRWN: RSCHIEBER 2019/05/13 | | | |
| DRAFT WHERE APPLICABLE MUST REMAIN WITHIN DIMENSIONS | | THIRD ANGLE PROJECTION | DRAWING: A3-SIZE | SERIES: 120341 | |