



Micro PLC expansion module, RS485 Modbus RTU communication port
LREP00
24VDC

Product designation

Product type designation

Auxiliary supply voltage

Power supply

Rated auxil. supply voltage

24VDC

Operating voltage range

20.4...28.8VDC

Average current consumption

mA 70

Communications

Baud rate

bps 4800...
38400bps

Termination resistance

Integrated 120Ω

Connections

Terminals type

Screw

Tightening torque for terminals

max Nm 0.6
Max lbft 5.4

Conductor section

AWG/Kcmil

min 26
max 16

IEC

min mm² 0.14
max mm² 1.5

Ambient conditions

Temperature

Operating temperature

min °C -20
max °C +55

Storage temperature

min °C -40
max °C +70

Relative humidity

% <90% (non condensing)

Housing

Mounting

35mm DIN rail or screw fixing (M4x15mm)

Degree of protection

IP20

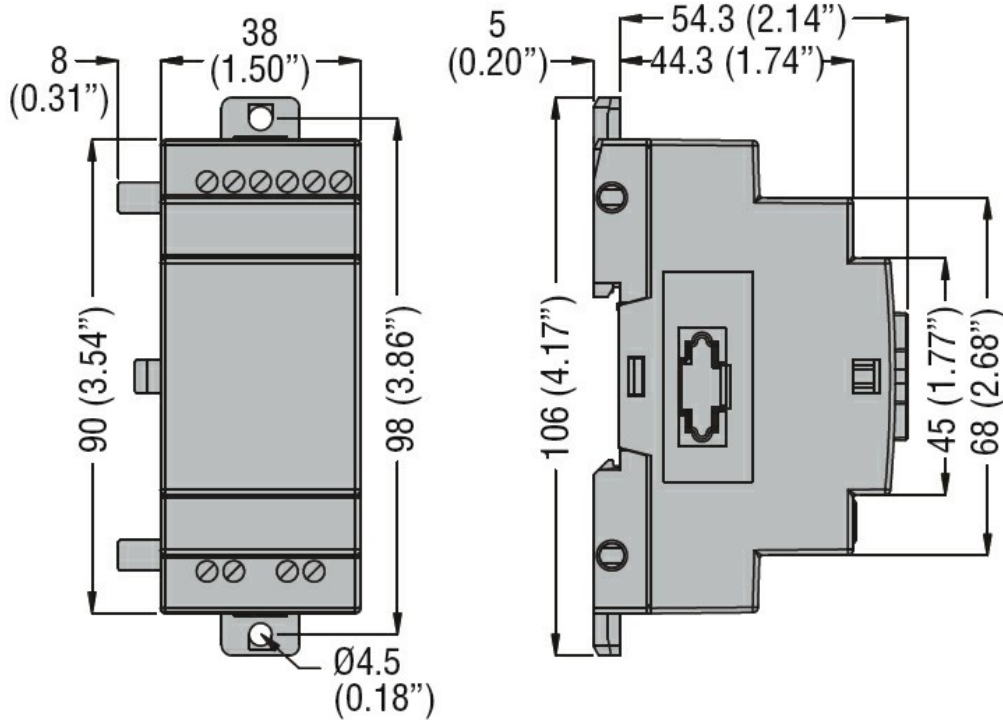
Dimensions (W x H x D)

mm 38 x 106 x 59.3

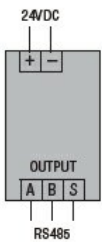
Weight

g 134

Dimensions



Wiring diagrams



Certifications and compliance

Compliance

CSA C22.2 n° 142
 IEC/EN 61131-2
 UL508

Certificates

cULus
 EAC

ETIM classification

ETIM 8.0

EC001423 - PLC communication module