

Part number

# MGO 16.40



Hood, IP68 series, with 2 screws, M40 side cable entry, size "77.27"

<b>Product description</b>		<b>Material properties</b>	
<b>Product type</b>	Hood	<b>Main material</b>	Aluminium die-cast
<b>Series</b>	IP68	<b>Other materials</b>	Screws: Stainless steel
<b>Closing type</b>	With 2 screws	<b>Colour</b>	RAL 9005 black
<b>Size</b>	Size 77.27	<b>RoHs conformity</b>	Compliant
<b>Cable entry</b>	Side cable entry M40	<b>China RoHs - EFUP</b>	E
<b>Technical data</b>		<b>REACH SVHC substances</b>	No
<b>IP degree of protection</b>	IP66 / IP68 / IP69	<b>Approvals / Standards</b>	
<b>Further technical details</b>		<b>Certifications</b>	DNV, BV
<b>Weight</b>	490,00 g	<b>UL</b>	ECBT2
<b>Operating temperature range (min, max)</b>	-40°C...+125°C	<b>cUL</b>	ECBT8
		<b>General ordering information</b>	
		<b>EAN13 code</b>	8015747142212
		<b>eCl@ss 8.1</b>	27440202
		<b>ETIM 7.0</b>	EC000437
		<b>Packaging Information</b>	
		<b>Packaging length</b>	175,00 mm
		<b>Packaging height</b>	135,00 mm
		<b>Packaging width</b>	130,00 mm
		<b>Packaging weight</b>	1,06 kg
		<b>Packaging volume</b>	3,07 dm <sup>3</sup>
		<b>Packaging description</b>	Carton box
		<b>Packaging quantity</b>	2 Pcs
		<b>Packaging EAN code</b>	8015747142762
		<b>Sub-packaging weight</b>	0,53 kg
		<b>Sub-packaging description</b>	Plastic packaging
		<b>Sub-packaging quantity</b>	1 Pcs
		<b>Sub-packaging EAN barcode</b>	8015747142779

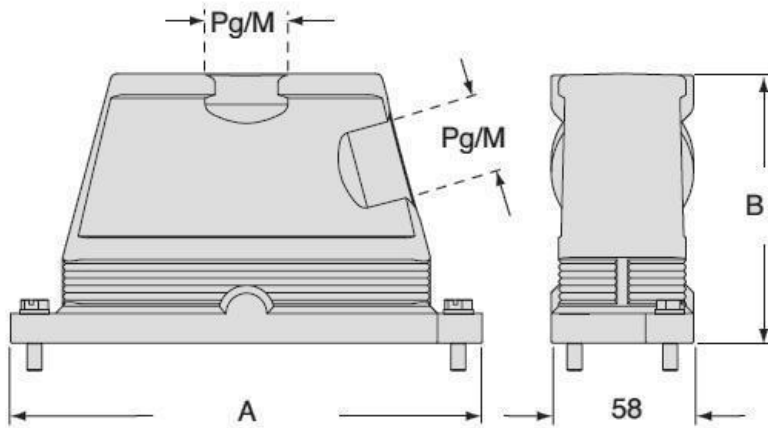
Part number

# MGO 16.40



Catalogue drawings

**CGO/MGO CGV/MGV**



		<b>A</b>	<b>B</b>
<b>CGO/MGO</b>	<b>CGV/MGV 06</b>	133	101
<b>CGO/MGO</b>	<b>CGV/MGV 10</b>	146	101
<b>CGO/MGO</b>	<b>CGV/MGV 16</b>	166	111
<b>CGO/MGO</b>	<b>CGV/MGV 24</b>	193	111

## Notes

Dimensions shown in mm are not binding and may be changed without notice.