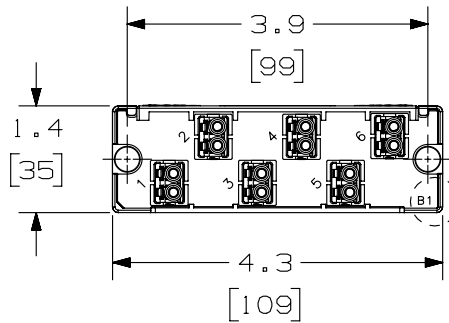
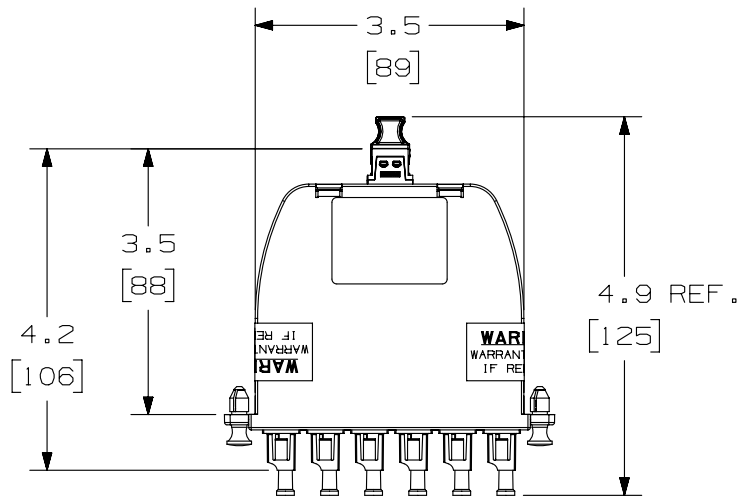


THIS COPY IS PROVIDED ON A RESTRICTED BASIS AND IS NOT TO BE USED IN ANY WAY DETRIMENTAL TO THE INTERESTS OF PANDUIT CORP.

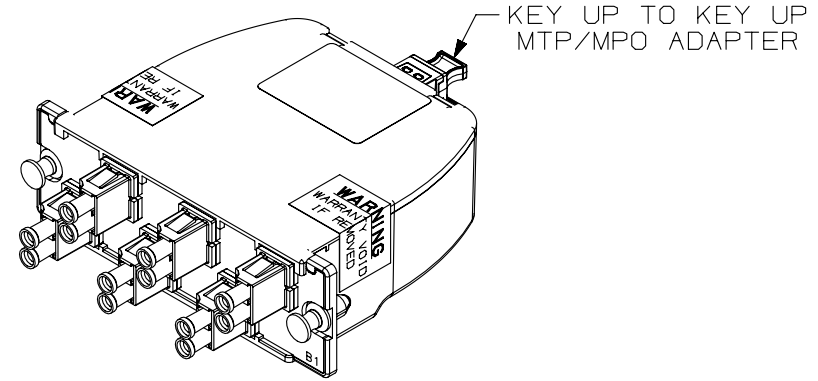


FRONT VIEW
SHOWN W/O DUSTCAPS

SEE SHEETS 2 THRU 5
FOR ARTWORK DETAILS

NOTES:

1. SEE CURRENT CATALOG FOR PART NUMBER SUFFIXES TO INDICATE COLOR AND/OR PACKAGE QUANTITIES.
2. SEE CATALOG FOR COMPLETE LIST OF PARTS APPLICABLE FOR USE WITH THIS PRODUCT.
3. PART NUMBERS:
 - A. SEE SHEET 2 FOR METHOD B, END 1.
 - B. SEE SHEET 3 FOR METHOD B, END 2.
 - C. SEE SHEET 4 FOR KEYED METHOD B, END 1.
 - D. SEE SHEET 5 FOR KEYED METHOD B, END 2.
4. METHOD B CASSETTES COMPLY WITH ANSI/TIA-568-C.0. SEE ANSI/TIA-568-C.0 FOR POLARITY DETAILS AND EXAMPLES OF B BASIC LINKS.
5. MATERIALS:
 - A. BOX AND LID: PLASTIC
 - B. ADAPTER: COMPOSITE PLASTIC
6. CASSETTE WEIGHT: 4.16oz [118g]
7. DIMENSIONS IN BRACKETS ARE METRIC.

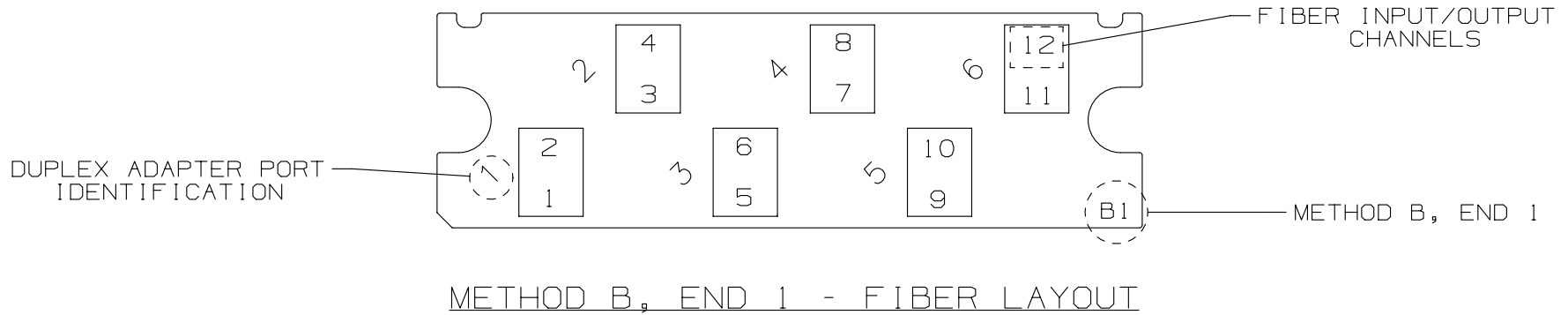


REV	DATE	BY	CHK	APR	DESCRIPTION	ECN
00	11-26-13	SAT	YMG	ALMY	RELEASED TO PRODUCTION	10F113AW-DC-12

TITLE		<p>12 FIBER DUPLEX LC CASSETTES METHOD B, (ENDS B1 AND B2)</p> <p>CUSTOMER DRAWING</p>	
ITEM REVISION NAME			
DATASET FILE NAME			
<p>UNLESS OTHERWISE SPECIFIED, DIMENSIONAL TOLERANCES ARE: IN (mm)</p> <p>.x ± .03 [.8] .xxx ± .005 [.127]</p> <p>.xx ± .01 [.25] ANGLES ± 5 °</p>			
DRAWN BY		MATERIAL:	
DATE		SEE NOTES	
CHK		DRAWING NUMBER:	
SCALE		10F113AW-DC-12	
NONE		SHT 1 OF 5	
SAT		SIZE	
11-26-13		A	

12 FIBER DUPLEX LC CASSETTE - METHOD B, END 1

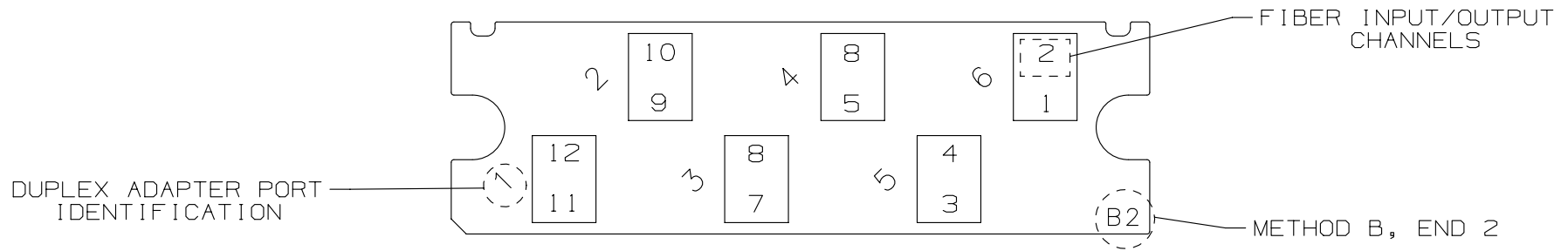
PART NUMBER	DESCRIPTION
FC2Z0-12-10B1	12 FIBER 50/125um OM4 OPTIMIZED
FC2ZN-12-10B1	12 FIBER 50/125um OM4
FC2X0-12-10B1	12 FIBER 50/125um OM3 OPTIMIZED
FC2XN-12-10B1	12 FIBER 50/125um OM3
FC25N-12-10B1	12 FIBER 50/125um OM2
FC26N-12-10B1	12 FIBER 62.5/125um OM1
FC29N-12-10B1	12 FIBER 9/125um OS1/OS2
FC2SA-12-10B1	12 FIBER 50/125um OM4+, SIGNATURE CORE



REV	DATE	BY	CHK	APR	DESCRIPTION	ECN	TITLE	MATERIAL:	DRAWING NUMBER:	SIZE		
00	11-26-13	SAT	YMG	ALMY	RELEASED TO PRODUCTION	10F113AW-DC-12	12 FIBER DUPLEX LC CASSETTES METHOD B, (ENDS B1 AND B2) CUSTOMER DRAWING	SEE NOTES SHEET 1	10F113AW-DC-12	A		
							ITEM REVISION NAME 10F113AW/01	PANDUIT				
							DATASET FILE NAME 10F113AW_DC-12/01A					
							UNLESS OTHERWISE SPECIFIED, DIMENSIONAL TOLERANCES ARE: IN (mm) .x ± .03 (.8) .xxx ± .005 (.127) .xx ± .01 (.25) ANGLES ± 5°					
							THIRD ANGLE PROJECTION					
							DRAWN BY SAT	DATE 11-26-13	CHK YMG	SCALE NONE	SHT 2 OF 5	A

12 FIBER DUPLEX LC CASSETTE - METHOD B, END 2

PART NUMBER	DESCRIPTION
FC2Z0-12-10B2	12 FIBER 50/125um OM4 OPTIMIZED
FC2ZN-12-10B2	12 FIBER 50/125um OM4
FC2X0-12-10B2	12 FIBER 50/125um OM3 OPTIMIZED
FC2XN-12-10B2	12 FIBER 50/125um OM3
FC25N-12-10B2	12 FIBER 50/125um OM2
FC26N-12-10B2	12 FIBER 62.5/125um OM1
FC29N-12-10B2	12 FIBER 9/125um OS1/OS2
FC2SA-12-10B2	12 FIBER 50/125um OM4+, SIGNATURE CORE



METHOD B, END 2 - FIBER LAYOUT

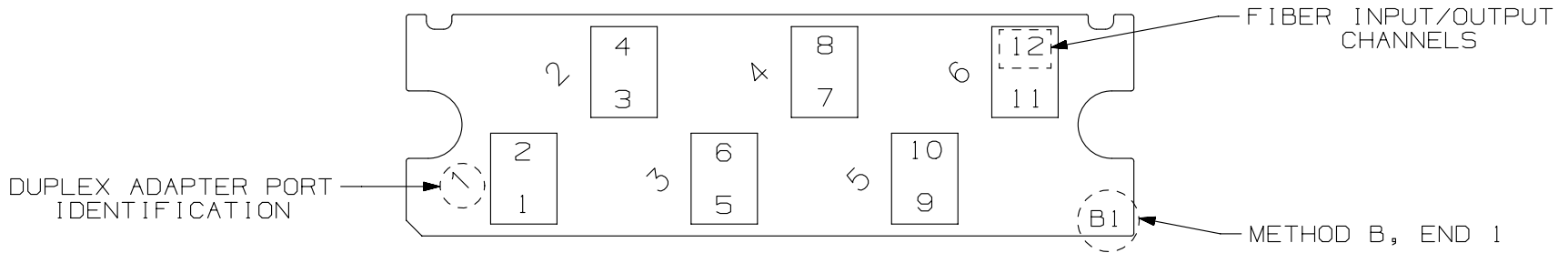
						<p>TITLE 12 FIBER DUPLEX LC CASSETTES METHOD B, (ENDS B1 AND B2) CUSTOMER DRAWING</p>						
						<p>ITEM REVISION NAME 10F113AW/01</p>						
						<p>DATASET FILE NAME 10F113AW_DC-12/01A</p>						
						<p>UNLESS OTHERWISE SPECIFIED, DIMENSIONAL TOLERANCES ARE: IN (mm)</p> <p>.x ± .03 [.8] .xxx ± .005 [.127] .xx ± .01 [.25] ANGLES ± 5 °</p>				<p>MATERIAL: SEE NOTES SHEET 1</p>		
00 11-26-13 SAT YMG ALMY RELEASED TO PRODUCTION						10F113AW-DC-12				<p>DRAWING NUMBER: 10F113AW-DC-12</p>		
REV	DATE	BY	CHK	APR	DESCRIPTION	ECN	DRAWN BY	DATE	CHK	SCALE	SHT 3 OF 5	SIZE
							SAT	11-26-13	YMG	NONE		A

THIS COPY IS PROVIDED ON A RESTRICTED BASIS AND IS NOT TO BE USED IN ANY WAY DETRIMENTAL TO THE INTERESTS OF PANDUIT CORP.

12 FIBER DUPLEX COLORED/KEYED LC CASSETTE - METHOD B, END 1

PART NUMBER	DESCRIPTION
FC2Z0-12-**B1	12 FIBER 50/125um OM4 OPTIMIZED
FC2ZN-12-**B1	12 FIBER 50/125um OM4
FC2X0-12-**B1	12 FIBER 50/125um OM3 OPTIMIZED
FC2XN-12-**B1	12 FIBER 50/125um OM3
FC25N-12-**B1	12 FIBER 50/125um OM2
FC26N-12-**B1	12 FIBER 62.5/125um OM1
FC29N-12-**B1	12 FIBER 9/125um OS1/OS2
FC2SA-12-**B1	12 FIBER 50/125um OM4+, SIGNATURE CORE

** - INDICATES CHARACTERS REPRESENTING KEYED & NON-KEYED LC ADAPTERS WITH RESPECTIVE COLORS.



METHOD B, END 1 - FIBER LAYOUT (COLORED/KEYED)

						TITLE		12 FIBER DUPLEX LC CASSETTES METHOD B, (ENDS B1 AND B2)							
						CUSTOMER DRAWING		PANDUIT							
						ITEM REVISION NAME						10F113AW/01			
						DATASET FILE NAME						10F113AW_DC-12/01A			
						UNLESS OTHERWISE SPECIFIED, DIMENSIONAL TOLERANCES ARE: IN (mm)		MATERIAL:							
						.x ± .xxx ± .010 (0.3)		SEE NOTES SHEET 1							
						.xx ± .03 (0.8) ANGLES ±		DRAWING NUMBER:							
						THIRD ANGLE PROJECTION		10F113AW-DC-12							
00 11-26-13 SAT YMG ALMY RELEASED TO PRODUCTION 10F113AW-DC-12						DRAWN BY		DATE		CHK		SCALE		SIZE	
REV DATE BY CHK APR DESCRIPTION ECN						SAT		11-26-13		YMG		NONE		A	

PANDUIT

SEE NOTES SHEET 1

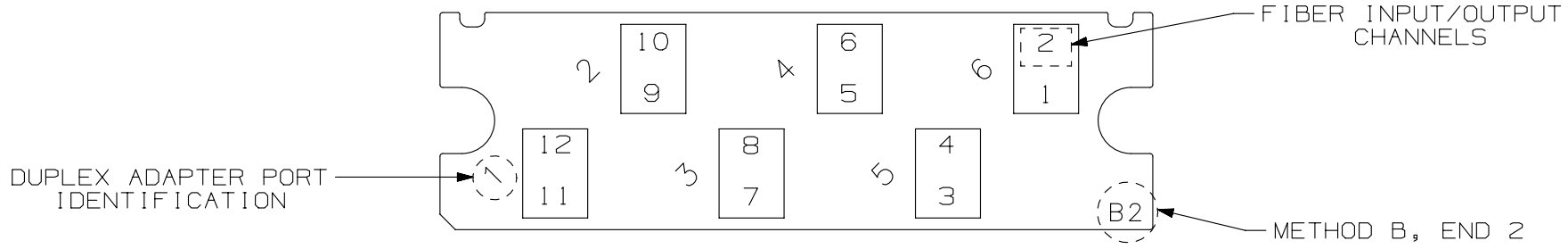
DRAWING NUMBER:
10F113AW-DC-12

SHT 4 OF 5

THIS COPY IS PROVIDED ON A RESTRICTED BASIS AND IS NOT TO BE USED IN ANY WAY DETRIMENTAL TO THE INTERESTS OF PANDUIT CORP.

12 FIBER DUPLEX COLORED/KEYED LC CASSETTE - METHOD B, END 2	
PART NUMBER	DESCRIPTION
FC2Z0-12-**B2	12 FIBER 50/125um OM4 OPTIMIZED
FC2ZN-12-**B2	12 FIBER 50/125um OM4
FC2X0-12-**B2	12 FIBER 50/125um OM3 OPTIMIZED
FC2XN-12-**B2	12 FIBER 50/125um OM3
FC25N-12-**B2	12 FIBER 50/125um OM2
FC26N-12-**B2	12 FIBER 62.5/125um OM1
FC29N-12-**B2	12 FIBER 9/125um OS1/OS2
FC2SA-12-**B2	12 FIBER 50/125um OM4+, SIGNATURE CORE

** - INDICATES CHARACTERS REPRESENTING KEYED & NON-KEYED LC ADAPTERS WITH RESPECTIVE COLORS.



METHOD B, END 2 - FIBER LAYOUT (COLORED/KEYED)

REV	DATE	BY	CHK	APR	DESCRIPTION	ECN	DRAWN BY	DATE	CHK	SCALE	SHT	OF	SIZE
00	11-26-13	SAT	YMG	ALMY	RELEASED TO PRODUCTION	10F113AW-DC-12	SAT	11-26-13	YMG	NONE	5	5	A

TITLE
12 FIBER DUPLEX LC CASSETTES
METHOD B, (ENDS B1 AND B2)
CUSTOMER DRAWING

ITEM REVISION NAME
10F113AW/01

DATASET FILE NAME
10F113AW_DC-12/01A

UNLESS OTHERWISE SPECIFIED,
DIMENSIONAL TOLERANCES ARE: IN (mm)
.X ± .xxx ± .010 (0.3)
.XX ± .03 (0.8) ANGLES ±

MATERIAL:
SEE NOTES SHEET 1

DRAWING NUMBER:
10F113AW-DC-12

THIRD ANGLE PROJECTION

PANDUIT