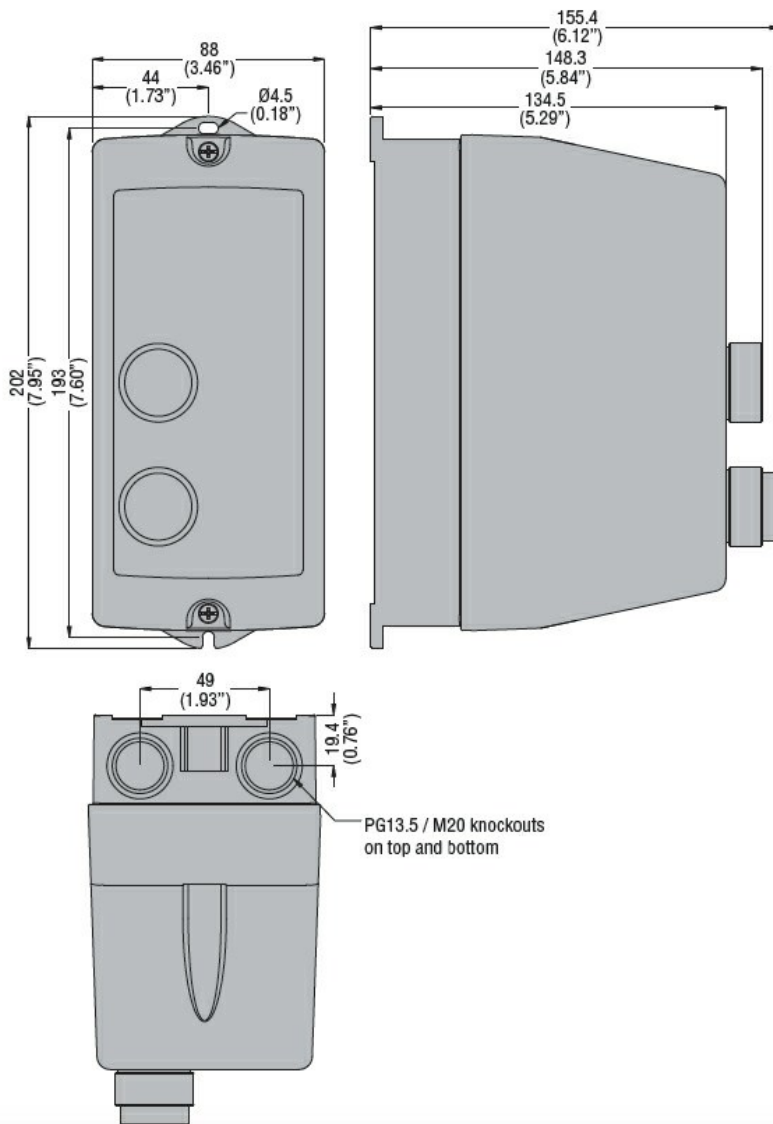
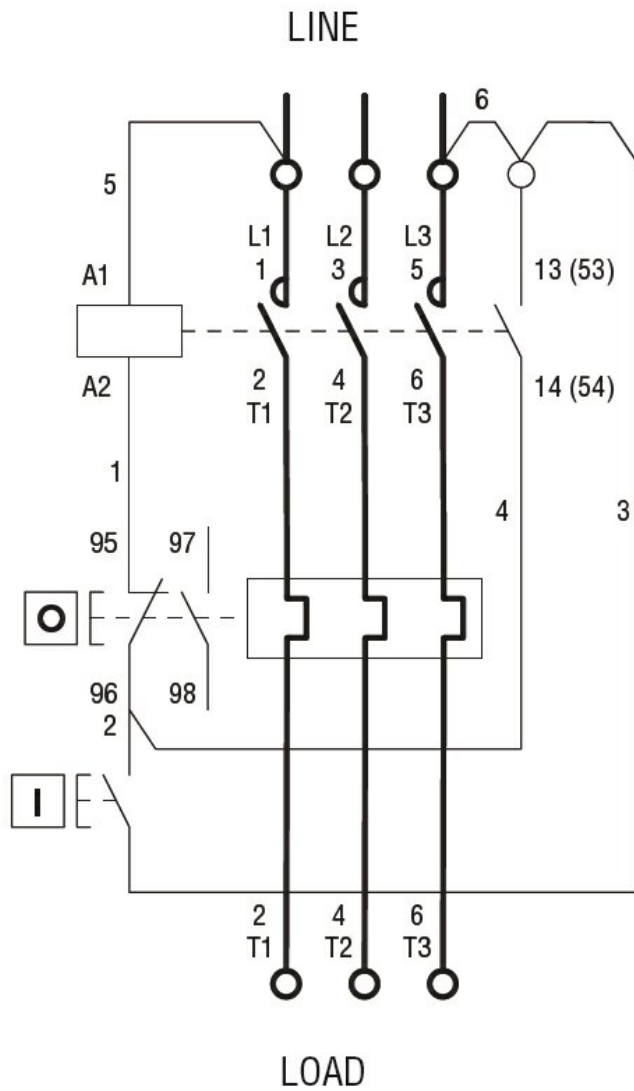




Product designation	Direct-on-line starter		
Product type designation	M1P01812...B1		
Electrical features			
Relay adj range	A	13-18	
IEC technical characteristics (≤440V)			
	le	A	18
	kW	kW	7.5
Components			
Starter enclosure standard supplied	M1PA		
Contactors standard supplied	BF1810A		
Thermal relay standard supplied	RF381800		
UL technical data			
Maximum UL/CSA horsepower ratings single-phase			
	110V-120V	HP	1
	220V-240V	HP	3
Maximum UL/CSA horsepower ratings three-phase, 3-pole			
	200V-208V	HP	5
	220V-240V	HP	5
	440V-480V	HP	10
	550V-600V	HP	15
Mechanical features			
Weight	g	1040	
Ambient conditions			
Operating temperature			
	min	°C	-25
	max	°C	+60
Storage temperature			
	min	°C	-40
	max	°C	+70
Resistance & Protection			
Frontal IP degree	IP65		
Dimensions			



Wiring diagrams



I = Start; O = Stop/Reset

Certifications and compliance

Compliance

IEC/EN 60947-1
IEC/EN 60947-4-1
UL508 CSA C22.2 n° 14

Certificates

CSAus
cULus
EAC

ETIM classification

ETIM 8.0

EC001037 -
Motor
starter/Motor
starter
combination