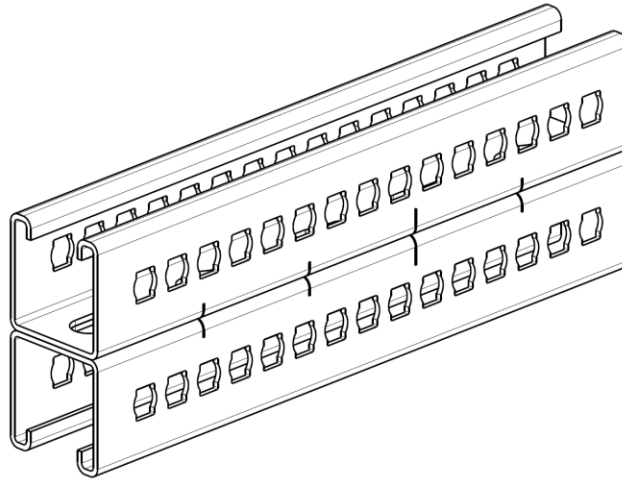


R41DP

Reference(s) : 343770 - 343773 - 343774



1. RANGE

Ref	Code	Raw material Matière	Standard Normes	Coating Protection	Corrosion class Classe de corrosion	Thickness épaisseur (mm / Inch)	L (mm / Inch)	Weight Poids (KG / lb)
R41DP 3000 E25 GS	343770	S250GD Z275 MAC	EN 10346	GS	Class 3 according to CEI 61537	2,5 / 0,098"	3000 / 118"	13,598 / 29,916
R41DP 3000 E25 GC	343773	S235 JR	EN 10025	GC	Class 6 according to CEI 61537	2,5 / 0,098"	3000 / 118"	14,516 / 31,935
R41DP 3000 E25 S6	343774	X2 Cr Ni Mo 17-12-2	EN 10088-2	INOX 316L	Class 9B according to CEI 61537	2,5 / 0,098"	3000 / 118"	13,894 / 30,631

2. DIMENSIONS (mm/inch)

