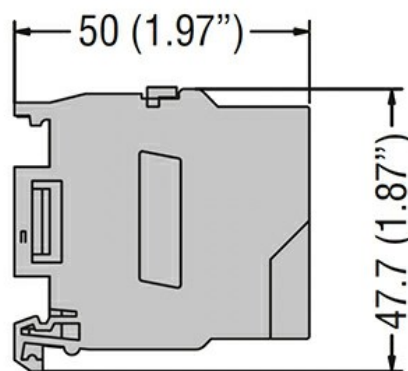
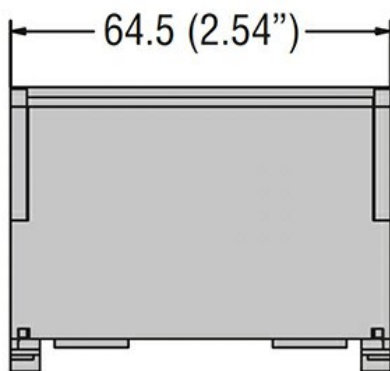




Product designation	Power distribution block	
<b>Electrical features</b>		
Number of poles	2	
Rated insulation voltage $U_i$	V	500
IEC Conventional free air thermal current $I_{th}$	A	100
Rated peak withstand current $I_{pk}$	kA	20
Rated short time current $I_{cw}$ 60s	A	4.5
<b>Connections</b>		
Terminal hole diameter_Option 1	mm	1x8.5mm
Conductor section connectable_Option 1	mm <sup>2</sup>	10...25
Terminal hole diameter_Option 2	mm	3x5.5mm
Conductor section connectable_Option 2	mm <sup>2</sup>	2.5...6
Terminal hole diameter_Option 3	mm	3x4.5mm
Conductor section connectable_Option 3	mm <sup>2</sup>	1.5...4
<b>Mechanical features</b>		
Operating position	normal allowable	Vertical plane Any
Fixing		Screw / DIN rail 35mm
Phillips		2
Weight	g	130
<b>Resistance &amp; Protection</b>		
Terminals IP degree		IP20 front
<b>Dimensions</b>		



**Certifications and compliance**

Certifications

IEC/EN/BS 60947-7-1

Compliance

TÜV

ETIM classification

EC000066 - Power contactor, AC switching