

Part number

CR CX01G



Coding pin, yellow, for Mixo One enclosures

Product description

Product type	Coding pin
Specification	Yellow For Mixo One enclosures

Further technical details

Weight	1,00 g
---------------	--------

Approvals / Standards

UL	ECBT2
cUL	ECBT8

General ordering information

EAN13 code	8015747265683
eCl@ss 8.1	27440203
ETIM 7.0	EC002311

Packaging Information

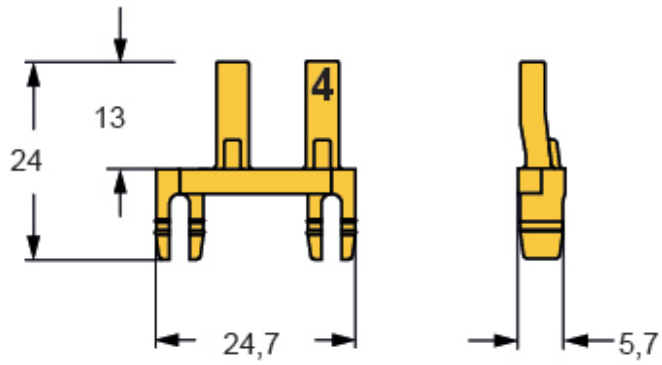
Sub-packaging description	Plastic bag
Sub-packaging quantity	2 Pcs
Sub-packaging EAN barcode	8015747270779

Part number

CR CX01G



Catalogue drawings



Notes

Dimensions shown in mm are not binding and may be changed without notice.