

specifications

HD Flex™ Fiber Optic Splitter Cassettes offer a wide array of deployment options to support Passive Optical Networks (PON). Cassette types are available in the very small, high density HD Flex form factor and can be deployed in all HD Flex enclosure and distribution products. Splitters are available in one or two input ports and from two to sixteen output ports that provide uniform splitting of the input(s) power. All LC connectors contain integral shutters to help prevent contamination.



applications

Allows system designers to tailor PON architecture, reach and splitting configuration to application requirements; to minimize waste, optimize cable power budget, speed deployment, and improve flexibility and manageability for lower installation costs.

construction

Fiber type:	OS2 9/125µm ITU-T G.652C/D IEC 60793-2-50 Type B1.3
Front Connectors:	LC/APC Duplex Adapters (Shuttered)
Available Splitting Configurations:	1x2, 1x4, 1x8, 1x16 2x8, 2x16

environmental properties

Operating temperature:	-20°C to +70°C (-4°F to 158°F)
Storage and shipping temperature:	-40°C to +70°C (-40°F to 158°F)
Installation temperature:	0°C to +60°C (32°F to 140°F)

performance properties

Insertion Loss (dB): (per FOTP 180)	1x2	1x4	1x8	1x16
	4.2	8.0	11.5	14.7
	2x2	2x4	2.8	2x16
			11.7	15.0

**Directivity (dB):
(per GR-1209-CORE)** >55

**Return Loss (dB):
(per FOTP-107)** >55

Uniformity: (per GR-1209-CORE)	1x2	1x4	1x8	1x16
	0.6	1.0	1.2	1.7
	2x2	2x4	2.8	2x16
			11.7	15.0

Wavelength Range: 1260-1650nm

**Connector durability:
(per TIA/EIA-568C.3)** 500 mates

Split sleeve material: Zirconia ceramic

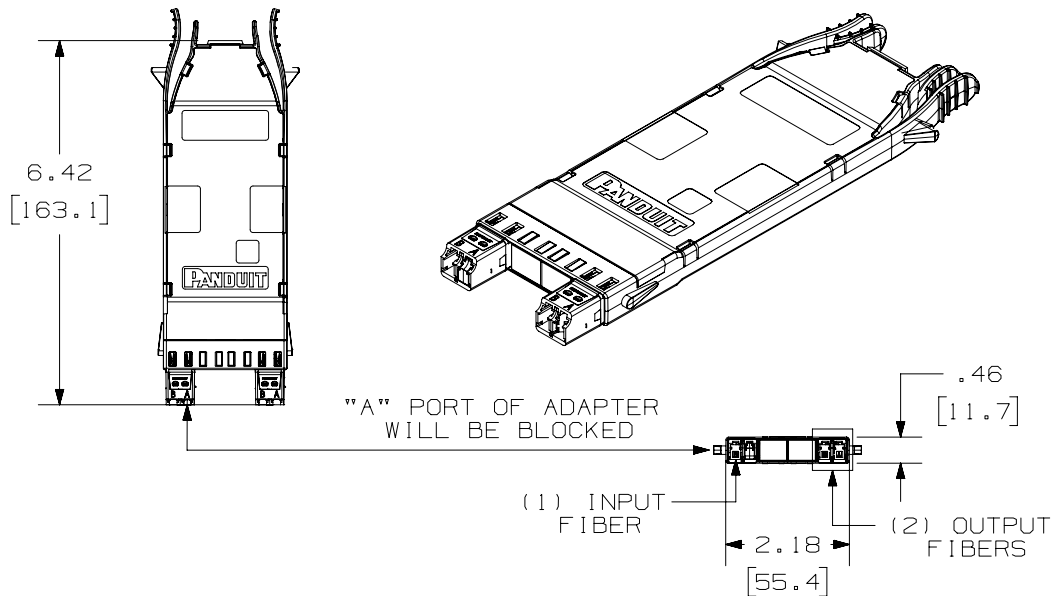
standards

Meets or exceeds:	ISO/IEC 11801 ANSI/TIA-568-C.3 ITU-T G.652 series IEC 60793-2-50 TIA/EIA-455-180 Telcordia GR-aCORE TIA-604-10 (FOCIS-10) RoHS Compliant
--------------------------	---

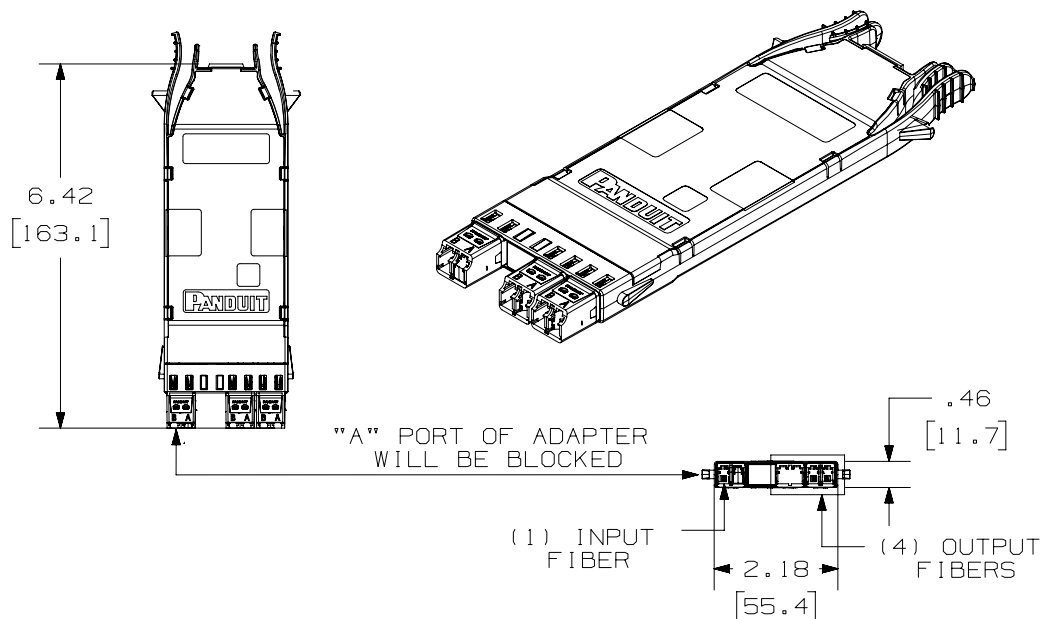
HD Flex™ Fiber Optic Splitter Cassettes

Description	Part Numbers (Single Input)
2 Simplex Output Ports	FHP9N-LA1X02
4 Simplex Output Ports	FHP9N-LA1X04
8 Simplex Output Ports	FHP9N-LA1X08
16 Simplex Output Ports	FHP9N-LA1X16

1 x 2 Splitter Cassette

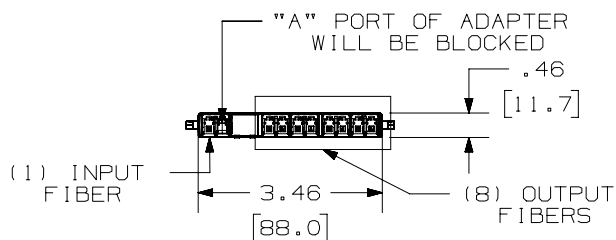
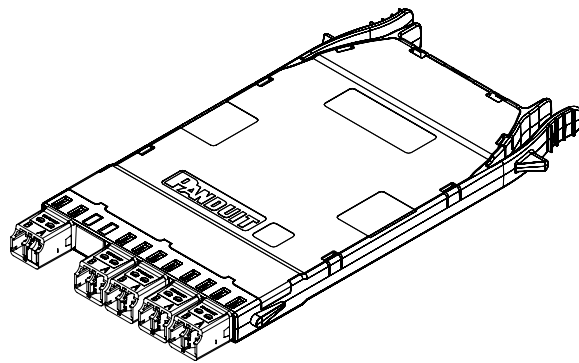
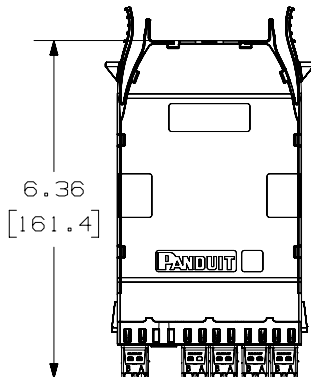


1 x 4 Splitter Cassette

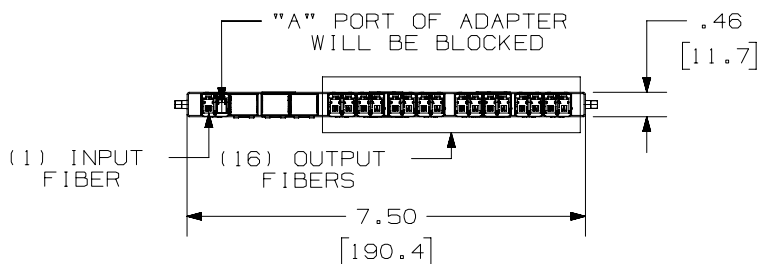
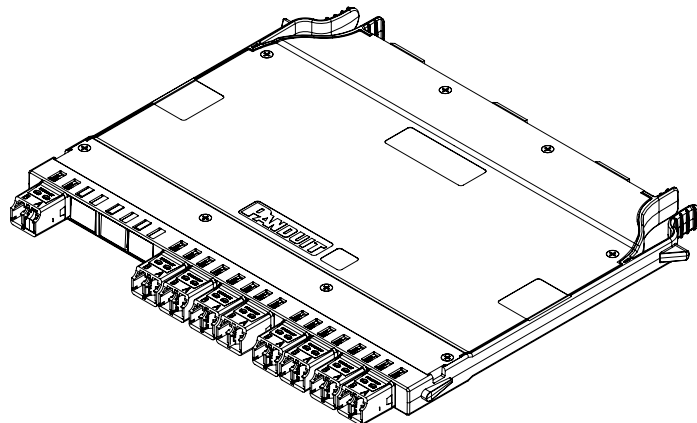
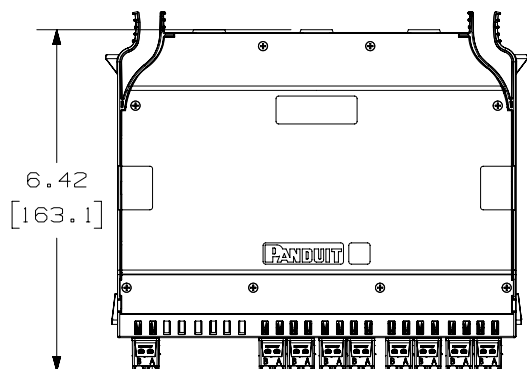


HD Flex™ Fiber Optic Splitter Cassttes

1 x 8 Splitter Cassette



1 x 16 Splitter Cassette



Please contact Panduit customer service for information on additional part number options.

WORLDWIDE SUBSIDIARIES AND SALES OFFICES

PANDUIT US/CANADA
Phone: 800.777.3300

PANDUIT EUROPE LTD.
London, UK
Phone: 44.20.8601.7200

PANDUIT SINGAPORE PTE. LTD.
Republic of Singapore
Phone: 65.6305.7575

PANDUIT JAPAN
Tokyo, Japan
Phone: 81.3.6863.6000

PANDUIT LATIN AMERICA
Guadalajara, Mexico
Phone: 52.33.3777.6000

PANDUIT AUSTRALIA PTY. LTD.
Victoria, Australia
Phone: 61.3.9794.9020

For a copy of Panduit product warranties, log on to www.panduit.com/warranty

PANDUIT®

For more information
Visit us at www.panduit.com
Contact Customer Service by email: cs@panduit.com
or by phone: 800.777.3300

© 2021 Panduit Corp.
ALL RIGHTS RESERVED.
Printed in the U.S.A.
FBSP202--WW-ENG
4/2021