

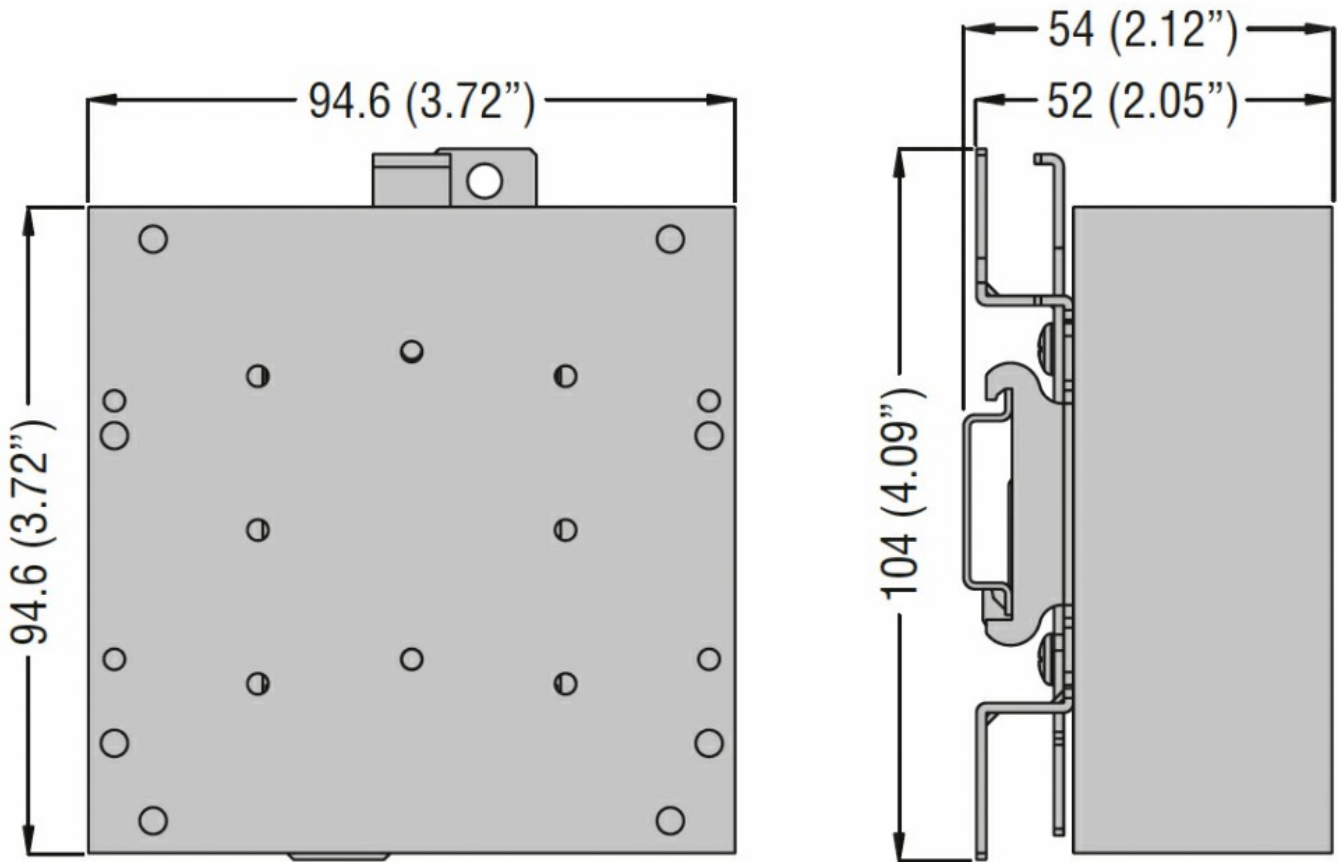


Solid state relay -  
 Accessories  
 HSBX

Product designation

Product type designation

**Dimensions**



**Certifications and compliance**

Certifications

IEC/EN/BS 60947-4-2

IEC/EN/BS 60947-4-3

IEC/EN/BS 62314

IEC/EN/BS 6335-1

**ETIM classification**

EC000066 - Power contactor, AC switching