



|                          |                                 |
|--------------------------|---------------------------------|
| Product designation      | Miniature circuit breaker (MCB) |
| Product type designation | P1 MB                           |
| Number of poles          | 3P                              |
| Number of DIN modules    | 3                               |
| Compliance               | IEC / UL489                     |

### Electrical features

|   |        |          |
|---|--------|----------|
| Rated insulation voltage $U_i$ IEC/EN     | V      | 440      |
| Rated impulse withstand voltage $U_{imp}$ | kV     | 4        |
| Rated operational voltage AC (IEC)        | VAC    | 230/400  |
| Rated operational voltage AC (UL)         | V      | 480Y/277 |
| Rated frequency                           | Hz     | 50/60    |
| Rated current ( $I_n$ )                   | A      | 7        |
| Tripping curve                            |        | C        |
| Short circuit rating (IEC)                | kA     | 10       |
| Short circuit rating (UL)                 | kA     | 10       |
| Electrical life                           | cycles | 10000    |
| Power dissipation per pole max            | W      | 1.25     |

### Ambient conditions

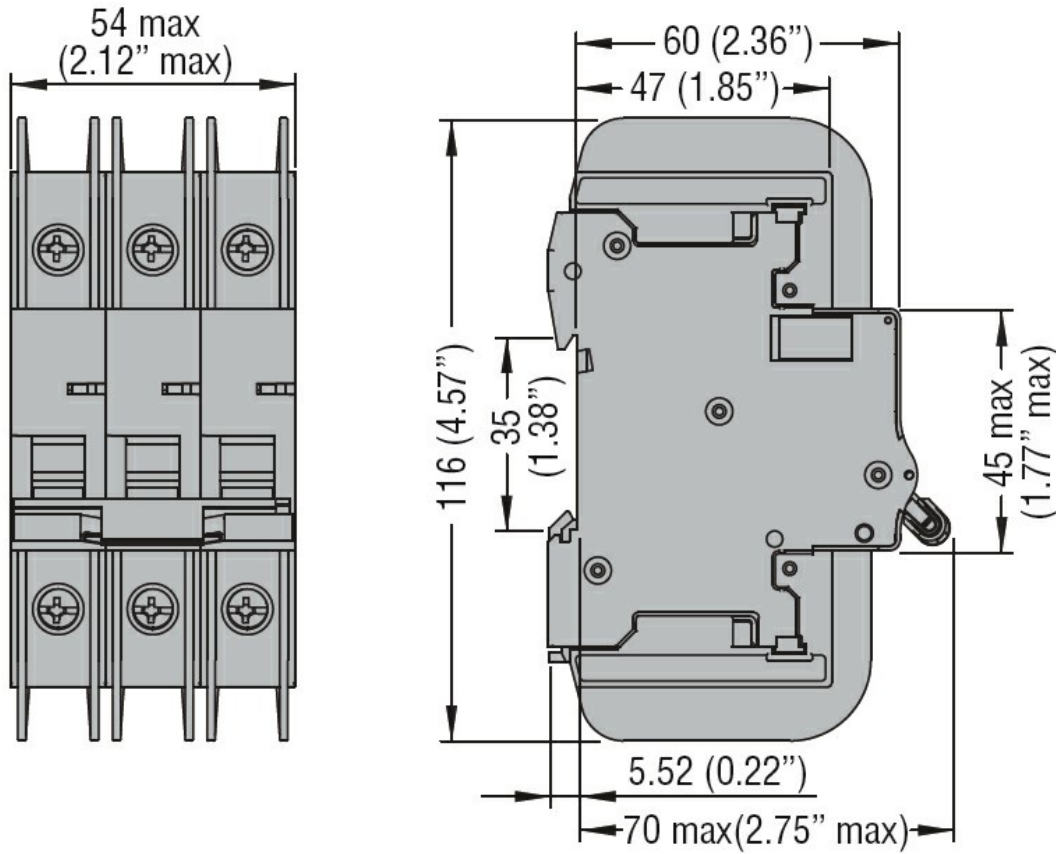
|                       |     |    |      |
|-----------------------|-----|----|------|
| Operating temperature | min | °C | -40  |
|                       | max | °C | +70  |
| Storage temperature   | min | °C | -40  |
|                       | max | °C | +80  |
| Max altitude          |     | m  | 2000 |

### Mechanical features

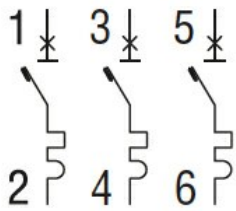
|                                 |           |               |                 |    |
|---------------------------------|-----------|---------------|-----------------|----|
| Operating position              | normal    | Vertical plan |                 |    |
| Fixing                          |           | 35mm DIN rail |                 |    |
| Tightening torque for terminals | min       | Nm            | 1.8             |    |
|                                 | max       | Nm            | 2               |    |
|                                 | min       | lbin          | 16              |    |
|                                 | max       | lbin          | 17.7            |    |
| Terminals tool                  |           | Pz 2          |                 |    |
| Conductor section               | IEC       | min           | mm <sup>2</sup> | 1  |
|                                 |           | max           | mm <sup>2</sup> | 35 |
|                                 | AWG/Kcmil | min           |                 | 14 |
|                                 |           | max           |                 | 6  |
| Mechanical life                 |           | cycles        | 20000           |    |
| Weight                          |           | g             | 388             |    |

|                   |      |
|-------------------|------|
| Frontal IP degree | IP20 |
| Pollution degree  | 2    |

**Dimensions**



**Wiring diagrams**



**Certifications and compliance**

|                |                |
|----------------|----------------|
| Compliance     | IEC/EN 60947-2 |
|                | UL489          |
| Certifications | cULus          |
|                | EAC            |

**ETIM classification**

|          |  |
|----------|--|
| ETIM 8.0 | EC000042 -<br>Miniature circuit<br>breaker (MCB) |
|----------|--|