



Product designation

MINIATURE
RELAYS
HR402C

Product type designation

Contact characteristics

Contact configuration			2 C/O
Rated insulation voltage U_i IEC/EN	V		250
Rated impulse withstand voltage U_{imp}	kV		5
IEC Conventional free air thermal current I_{th}	A		10
Maximum instantaneous current	A		26
Rated current (I_n)	A		10
Relay control voltage	V		12VDC

Max contrrollable power in

AC-1	W	2500
AC-15	VA	150

Rated operating power AC-1

VA	2500
----	------

Rated operating power AC-15

230 VAC	VA	400
---------	----	-----

Single-phase motor control

230VAC	kW	0.3
--------	----	-----

Rated operating current DC-1

30V	A	8
110V	A	0.3
220V	A	0.12

Minimum switching load

V / mA	5 / 100
--------	---------

Contact impedance

m Ω	100
------------	-----

Contact material

AgSnO₂

Operating times

Closing ms <15

Opening ms <5

Operations

Mechanical life cycles 10000000

Electrical life AC1 cycles 100000

Coil characteristics

Average coil consumption DC at 20°C W 0.5

Operating range

Closing	% U_n	75...110
Opening	% U_n	10...30

Maximum cycle frequency

cycles/h	3600
----------	------

Mechanical features

Max socket terminal tightening torque Nm 0.6

Socket screw tightening tool (cross / flat blade) PH1 / 4.5mm

Conductor section

AWG/Kcmil

min	20
-----	----

IEC	max	14	
	min	mm ²	0.5
	max	mm ²	2.5
Operating position	normal	Any	
Fixing		On 35mm DIN rail and with screw	

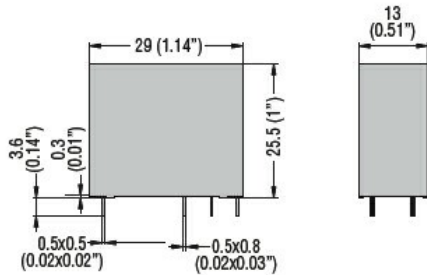
Ambient conditions

Temperature	Operating temperature		
	min	°C	-40
	max	°C	+85
Storage temperature	min	°C	-40
	max	°C	+85

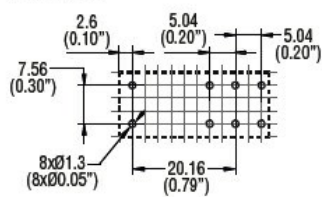
Other features

Indication	No
Mechanical contact position indicator	No
Mechanical test actuator	No

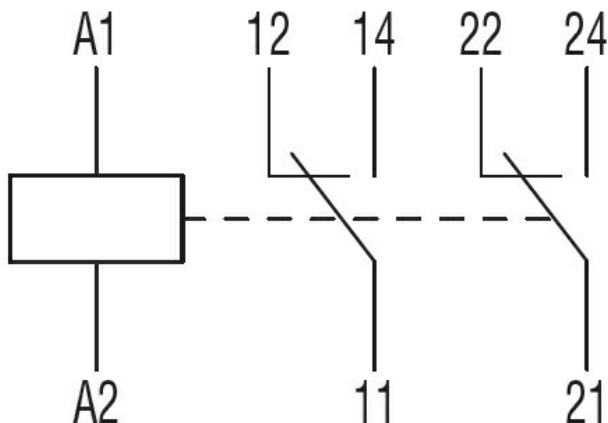
Dimensions



PCB layout



Wiring diagrams



Certifications and compliance

Compliance

IEC/EN 61810

Certificates

cURus

ETIM classification

ETIM 8.0

EC001437 –
Switching relay