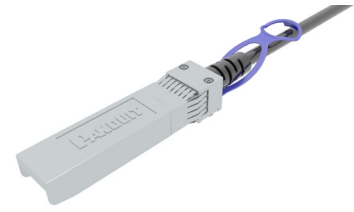


# 10Gig™ SFP+ Direct Attach Passive Copper Cable Assemblies

**Low Power, Low Latency 10 Gb/s Server Interconnect Solution for Top of Rack Switching Applications**



As virtualization, consolidation, and convergence initiatives continue to grow, so do the demands placed on the physical infrastructure. To meet the needs for faster processing speeds, low power server inter-connect and I/O consolidation deployments, Panduit offers 10Gig™ SFP+ Direct Attach Passive Copper Cable Assemblies.

This high speed data transport capability is ideal as server virtualization becomes more prevalent. With multiple virtual machines, server I/O consolidation topology requires 10 Gb/s interconnects between top of rack switches and servers.

By incorporating 10Gig™ SFP+ Direct Attach Passive Copper Cable Assemblies into the physical infrastructure, businesses can achieve 10 Gigabit performance port-to-port without additional signal processing or conversion, providing a low power, low latency 10 Gb/s server interconnect option for top of rack switching applications.

End-to-end high speed data transport systems from Panduit deliver enhanced availability, agility, and security. Visit [www.panduit.com](http://www.panduit.com) to learn more about how these solutions help customers manage risk across the physical infrastructure.

## Key Features

## Benefits

<b>100% performance tested</b>	Confidence that each assembly delivers specified performance for ensured network availability
<b>Compliant to SFF-8431, SFF-8432 and SFF-8472</b>	Ensuring 10 Gb/s performance when mated to any SFF-8431 SFP+ compliant host port
<b>Robust construction</b>	High speed 10 GHz twin-axial cable, with two shielded parallel pairs, factory terminated to SFP+ 10 Gb/s hot pluggable modular connectors; rated to a minimum 250 mating cycles
<b>Low latency performance</b>	Ideal for high performance computer clustering and other latency sensitive applications
<b>Passive low power assembly</b>	Provides a low cost short reach interconnect option with no additional power draw
<b>Low profile</b>	Robust easy-to-use connector latching feature allows easy installation in belly-to-belly high density installations
<b>Small diameter cable design</b>	Enables proper cable management and improved airflow
<b>Built-in strain relief</b>	Ensures proper bend radius control for reliable deployment
<b>Variety of lengths</b>	Available 1 to 5 meters for design flexibility and optimum airflow
<b>Variety of colors</b>	Available in Blue, White, Black, and Red for easy identification of multiple networks and fabrics

## Key Applications Include:

- Top of Rack Switching
- I/O Consolidation
- Fibre Channel Over Ethernet (FCOE)
- 10 Gigabit Ethernet
- 8 Gb/s Fibre Channel
- High Performance Computer Clustering

# 10Gig™ SFP+ Direct Attach Passive Copper Cable Assemblies

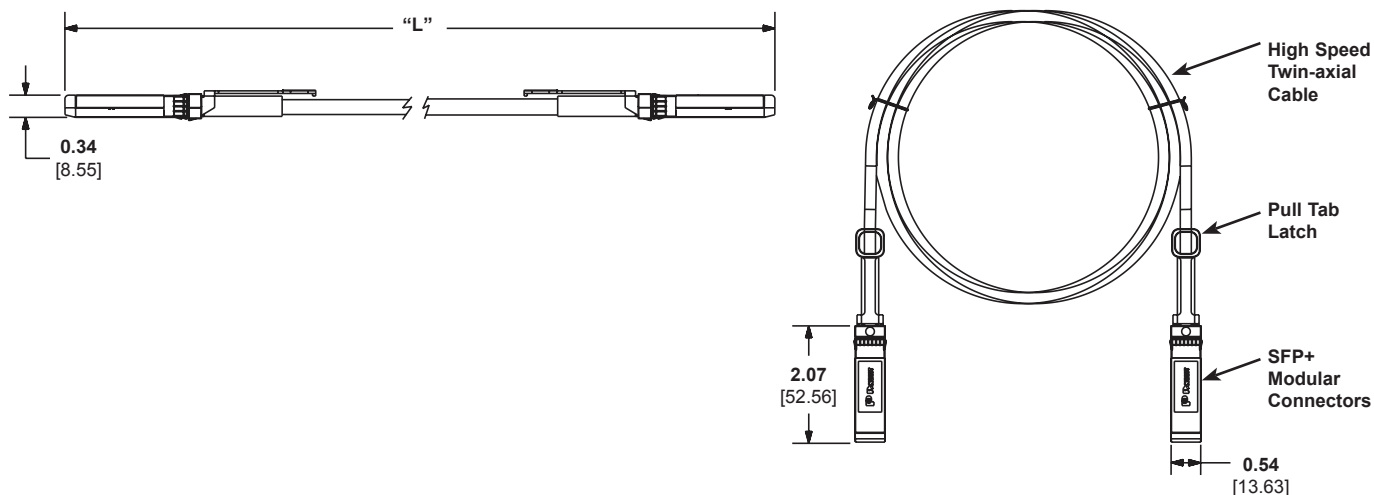
## Technical Information

Characteristic impedance	100 ± 5 Ω
Temperature range	0°C to 70°C (32°F to 158°F)
IEC flame compliance	IEC 60332, 60333, 60324
Bend radius	5 x O.D. single time, 10 x O.D. repeated times
Insertion force to cage	18N (4 lbf.) maximum
Withdrawal force from cage	12.5N (2.8 lbf.) maximum
Retention force	90 – 170N (20 – 38 lbf.)
ROHS status	Compliant

## Ordering Information

Part Number	Length (m)	Length (Ft.)	Cable Gauge	Nominal Cable O.D.		Cable Jacket
				mm	In.	
PSF1PZA1MBL	1	3.3	30 AWG	4.1	0.161	PVC
PSF1PZA1.5MBL	1.5	4.9	30 AWG	4.1	0.161	PVC
PSF1PZA2MBL	2	6.6	30 AWG	4.1	0.161	PVC
PSF1PZA2.5MBL	2.5	8.2	30 AWG	4.1	0.161	PVC
PSF1PZA3MBL	3	9.8	30 AWG	4.1	0.161	PVC
PSF1PZC3.5MBL	3.5	11.5	26 AWG	4.9	0.193	PVC
PSF1PZC4MBL	4	13.1	26 AWG	4.9	0.193	PVC
PSF1PZC5MBL	5	16.4	26 AWG	4.9	0.193	PVC

Note: For cable colors other than BL (Black), replace BL in part number with WH (White), BU (Blue), or RD (Red).



Dimensions are in inches. (Dimensions in parenthesis are metric).

### WORLDWIDE SUBSIDIARIES AND SALES OFFICES

PANDUIT US/CANADA  
Phone: 800.777.3300

PANDUIT EUROPE LTD.  
London, UK  
Phone: 44.20.8601.7200

PANDUIT SINGAPORE PTE. LTD.  
Republic of Singapore  
Phone: 65.6305.7575

PANDUIT JAPAN  
Tokyo, Japan  
Phone: 81.3.6863.6000

PANDUIT LATIN AMERICA  
Guadalajara, Mexico  
Phone: 52.33.3777.6000

PANDUIT AUSTRALIA PTY. LTD.  
Victoria, Australia  
Phone: 61.3.9794.9020

For a copy of Panduit product warranties, log on to [www.panduit.com/warranty](http://www.panduit.com/warranty)

**PANDUIT**®

For more information  
Visit us at [www.panduit.com](http://www.panduit.com)  
Contact Customer Service by email: [cs@panduit.com](mailto:cs@panduit.com)  
or by phone: 800.777.3300

© 2020 Panduit Corp.  
ALL RIGHTS RESERVED.  
COCB45--WW-ENG  
REPLACES COCB05--WW-ENG  
7/2020