

NET-ACCESS N-Type Switch Cabinets



Part numbers:

(N2RCFR, N5RCFR, N8RCFR, N1RCFR Set of Four Cage Nut Equipment Rails)
(N2RTFR, N5RTFR, N8RTFR, N1RTFR Set of Four Tapped Equipment Rails)

© Panduit Corp. 2016

INSTALLATION INSTRUCTIONS

V00029CX

WARNING

FALLING EQUIPMENT HAZARD

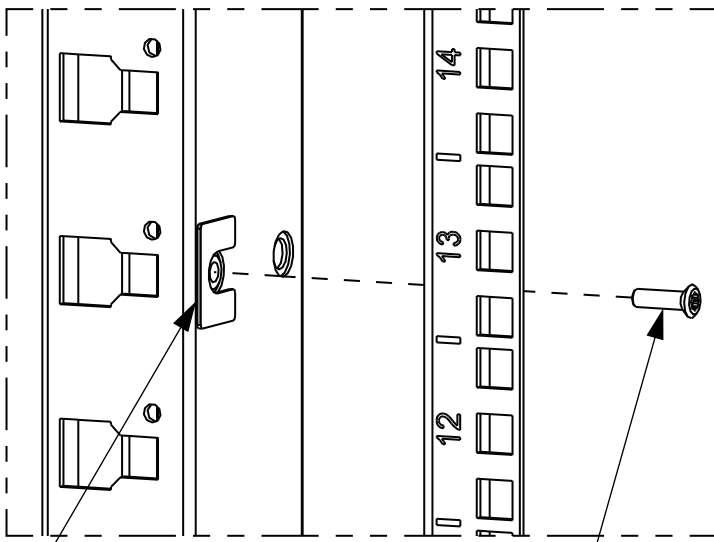
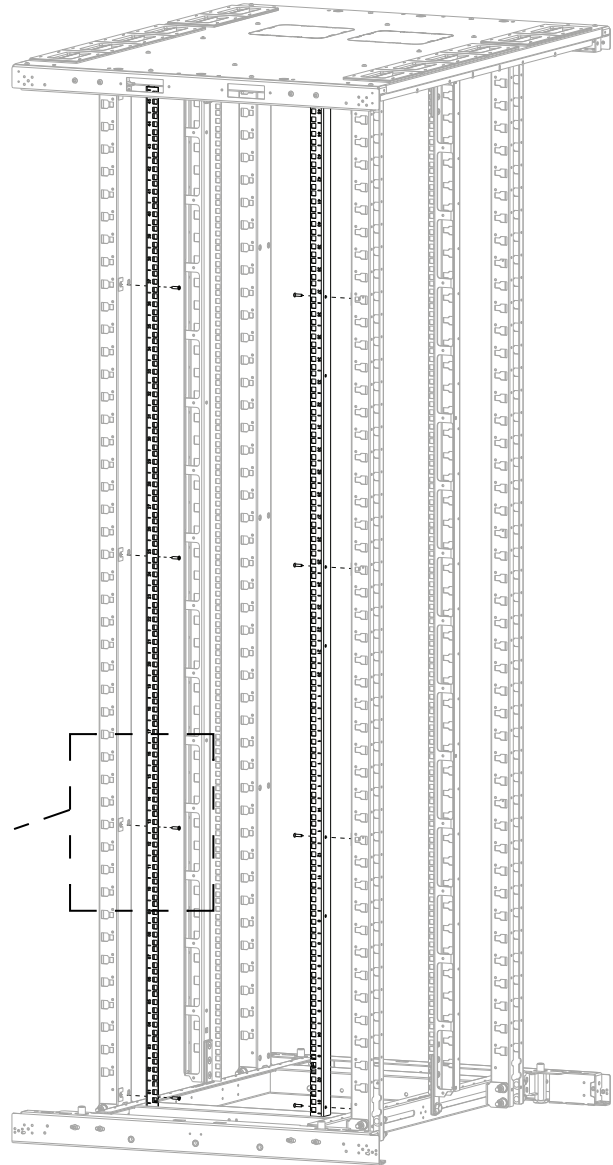
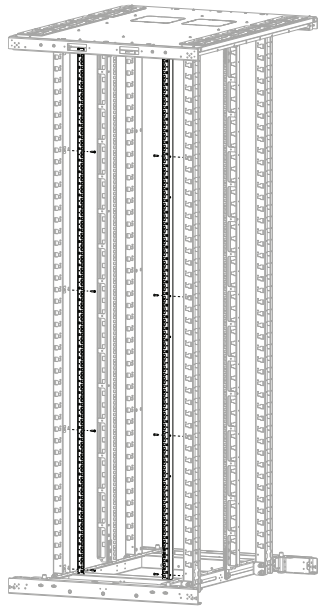
Remove all equipment installed onto equipment rails before performing any adjustments to equipment rail spacing.

FAILURE TO FOLLOW THESE INSTRUCTIONS CAN LEAD TO SERIOUS INJURY, DEATH, OR DAMAGE TO YOUR EQUIPMENT.

Front Equipment Rail Installation

- Remove existing front rails from cabinet posts (use T25 Torx bit to remove existing screws)
- Install [2] Front Equipment Rails to Front Cabinet Posts with [5] Countersunk Torx screws per rail (use T25 Torx bit)
- Use supplied shims (as necessary) to ensure proper EIA spacing of front equipment rails

**REMOVE EXISTING
FRONT EQUIPMENT RAILS**
(use T25 Torx bit)



Shim
(**use as necessary**)

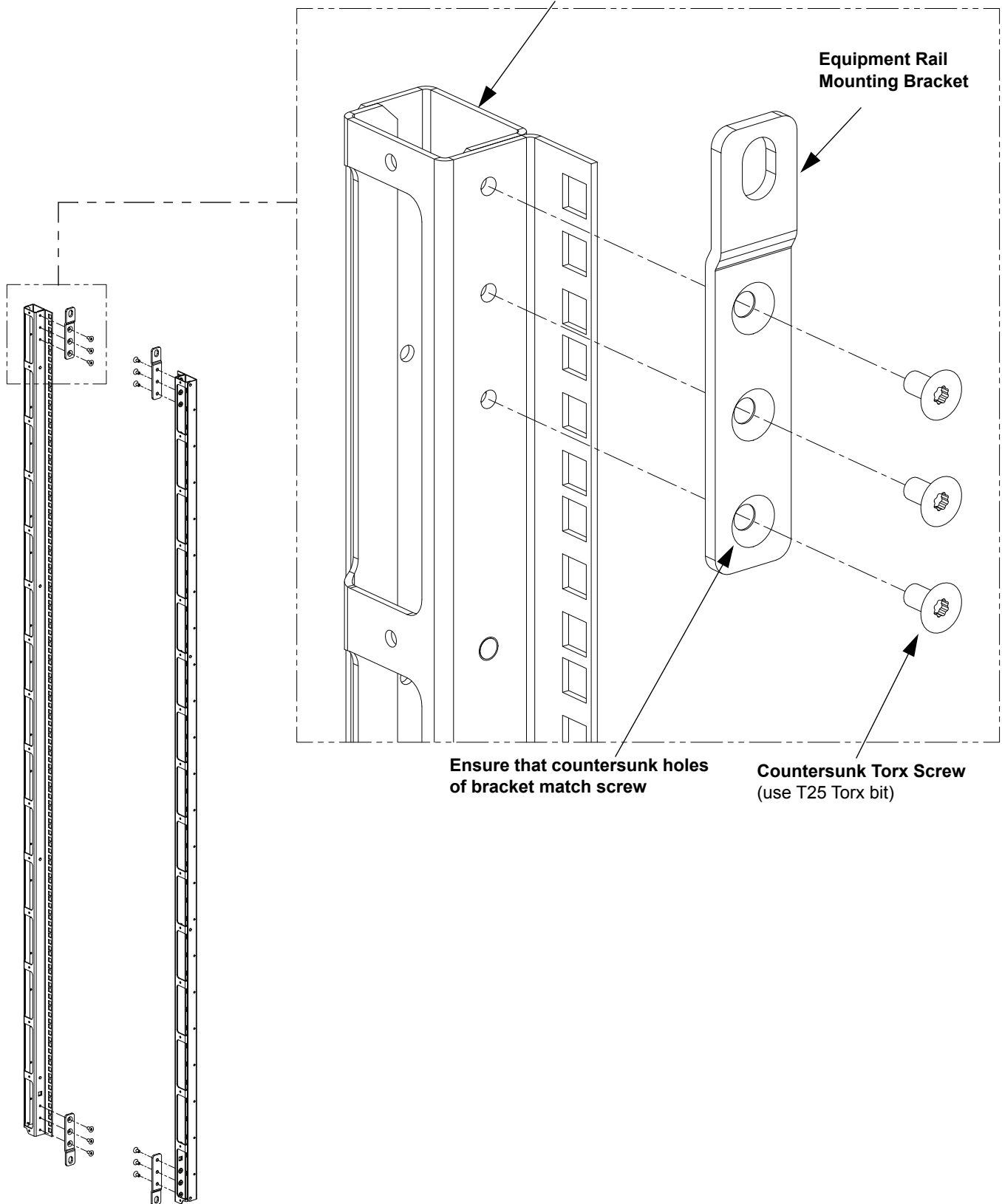
Countersunk Torx Screw
(use T25 Torx bit)
[5] screws per rail

For Technical Support: www.panduit.com/resources/install_maintain.asp

Rear Equipment Rail Installation

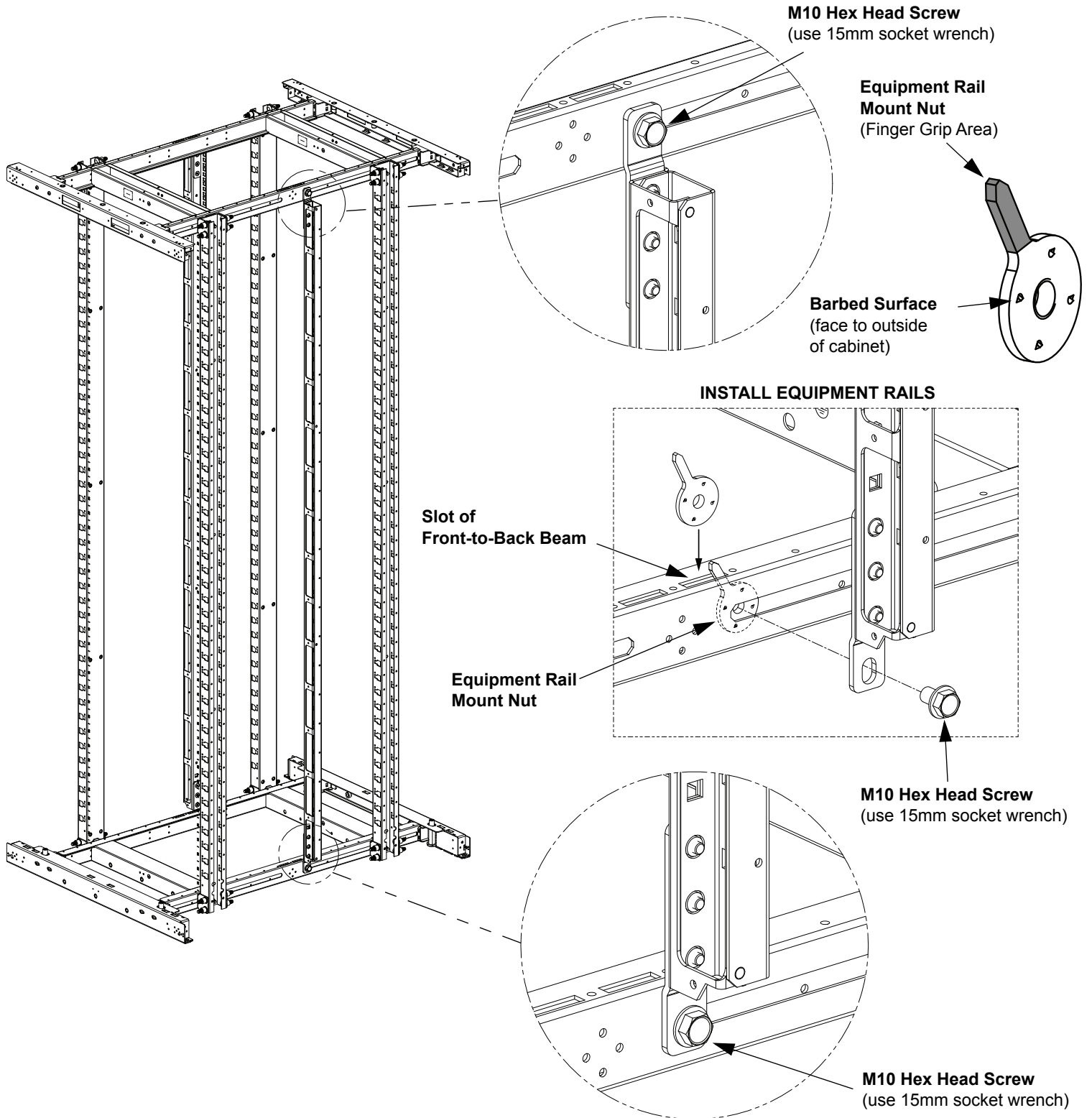
- Install [4] Equipment Rail Mounting Brackets to Equipment Rails with [3] Countersunk Torx screws per bracket (use T25 Torx bit)
- Ensure that countersunk holes of brackets are oriented to match heads of countersunk screws

**NOTE - HARDWARE KITS ARE SHIPPED
INSIDE OF EQUIPMENT RAIL CHANNELS**



Rear Equipment Rail Installation

- Locate desired Equipment Rail position
- Insert [2] Equipment Rail Mount Nuts through slots of Front-to-Back Beam (top and bottom locations)
- Fasten [2] M10 Hex Screws to E-Rail Mount Nuts at top and bottom of Equipment Rail
- Tighten M10 Hex Head Screw to 30.0 +/- 5.0 N-m [22.1 +/- 3.7 Ft-lbs]



For Instructions in Local Languages
and Technical Support:

www.panduit.com/resources/install_maintain.asp

PANDUIT
www.panduit.com

E-mail:
techsupport@panduit.com

Phone:
866-405-6654