

Fiche produit

Article n° Z5.503.6219.0

Passage de câble pour vis M20 VA 8 6,0-12,0



|                   |               |
|-------------------|---------------|
| Article n°        | Z5.503.6219.0 |
| EAN               | 4049088386084 |
| Unité de commande | 10 Piece(s)   |

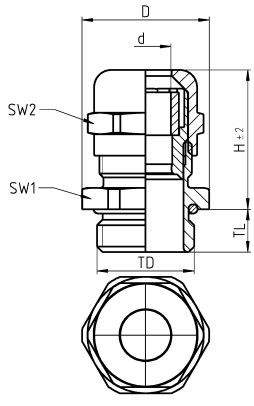
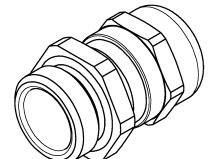
certificats/approbations

Données techniques

**général**

|   |                             |
|---|-----------------------------|
| Taille du filetage M  | 20                          |
| longueur du filetage  | 8 mm                        |
| diamètre Min. du câble  | 6 mm                        |
| diamètre Max. du câble  | 12 mm                       |
| Degré de protection (IP)  | IP68                        |
| matériel  | acier inoxydable V2A        |
| Couleur   | Autre                       |
| Résistant aux chocs   | Oui                         |
| Protection du rayon de courbure / manchon d'arrondi                   | Aucun                       |
| Support de traversé avec serre-câble                                  | Aucun                       |
| Type de scellement  | anneau caoutchouc-/neoprene |
| presse étoupe détachable  | Aucun                       |
| Zone multi-joint  | Aucun                       |
| Type de filetage  | Métrique                    |
| Sans halogène   | Oui                         |
| classe d'inflammabilité des matériaux d'isolation selon la norme UL94 | Autre                       |

Dessin technique

| <p>A</p> <p>B</p> <p>C</p> <p>D</p> <p>E</p> <p>F</p> |  |    | <table border="1" style="width:100%; border-collapse: collapse;"> <tr> <th>Wieland Teilenummer<br/>part number</th> <th>Gewinde<br/>Verschraubung<br/>thread type of fitting</th> <th>Gewinde Schraubkappe<br/>thread type of cap</th> <th>Klemmbereich<br/>clamping range<br/>Ø min-max mm</th> <th>Gewinde-Ø<br/>thread-Ø<br/>TD mm</th> <th>Gewindelänge<br/>thread length<br/>TL mm</th> <th>Höhe ohne Gewinlänge<br/>height without thread<br/>H mm</th> <th>Verschraubung<br/>fitting<br/>SW1 mm</th> <th>Schraubkappe<br/>cap<br/>SW2 mm</th> <th>Außen-Ø<br/>outer-Ø<br/>D mm max.</th> <th>Innen-Ø<br/>inner-Ø<br/>D mm min.</th> </tr> <tr> <td>Z5.503.6119.0</td> <td>M16</td> <td>PG 9</td> <td>4,0-8,0</td> <td>16</td> <td>7</td> <td>23</td> <td>19</td> <td>17</td> <td>20,8</td> <td>Ø14,4</td> </tr> <tr> <td>Z5.503.6219.0</td> <td>M20</td> <td>PG 13,5</td> <td>6,0-12,0</td> <td>20</td> <td>8</td> <td>26</td> <td>22</td> <td>22</td> <td>24,5</td> <td>Ø17,4</td> </tr> <tr> <td>Z5.503.6319.0</td> <td>M25</td> <td>PG 16</td> <td>10,0-14,0</td> <td>25</td> <td>8</td> <td>27,5</td> <td>27</td> <td>24</td> <td>29,6</td> <td>Ø17,4</td> </tr> <tr> <td>Z5.503.6419.0</td> <td>M32</td> <td>PG 21</td> <td>13,0-18,0</td> <td>32</td> <td>9</td> <td>32,5</td> <td>36</td> <td>30</td> <td>39</td> <td>Ø18,4</td> </tr> <tr> <td>Z5.503.6519.0</td> <td>M40</td> <td>PG 29</td> <td>18,0-25,0</td> <td>40</td> <td>9</td> <td>40,6</td> <td>46</td> <td>41</td> <td>51,4</td> <td>Ø25,5</td> </tr> </table> | Wieland Teilenummer<br>part number | Gewinde<br>Verschraubung<br>thread type of fitting | Gewinde Schraubkappe<br>thread type of cap            | Klemmbereich<br>clamping range<br>Ø min-max mm | Gewinde-Ø<br>thread-Ø<br>TD mm | Gewindelänge<br>thread length<br>TL mm | Höhe ohne Gewinlänge<br>height without thread<br>H mm | Verschraubung<br>fitting<br>SW1 mm | Schraubkappe<br>cap<br>SW2 mm | Außen-Ø<br>outer-Ø<br>D mm max. | Innen-Ø<br>inner-Ø<br>D mm min. | Z5.503.6119.0 | M16 | PG 9 | 4,0-8,0 | 16 | 7 | 23 | 19 | 17 | 20,8 | Ø14,4 | Z5.503.6219.0 | M20 | PG 13,5 | 6,0-12,0 | 20 | 8 | 26 | 22 | 22 | 24,5 | Ø17,4 | Z5.503.6319.0 | M25 | PG 16 | 10,0-14,0 | 25 | 8 | 27,5 | 27 | 24 | 29,6 | Ø17,4 | Z5.503.6419.0 | M32 | PG 21 | 13,0-18,0 | 32 | 9 | 32,5 | 36 | 30 | 39 | Ø18,4 | Z5.503.6519.0 | M40 | PG 29 | 18,0-25,0 | 40 | 9 | 40,6 | 46 | 41 | 51,4 | Ø25,5 |
|---|---|---|--|------------------------------------|--|---|--|--------------------------------|--|---|------------------------------------|-------------------------------|---------------------------------|---------------------------------|---------------|-----|------|---------|----|---|----|----|----|------|-------|---------------|-----|---------|----------|----|---|----|----|----|------|-------|---------------|-----|-------|-----------|----|---|------|----|----|------|-------|---------------|-----|-------|-----------|----|---|------|----|----|----|-------|---------------|-----|-------|-----------|----|---|------|----|----|------|-------|
| Wieland Teilenummer<br>part number                    | Gewinde<br>Verschraubung<br>thread type of fitting                                | Gewinde Schraubkappe<br>thread type of cap  | Klemmbereich<br>clamping range<br>Ø min-max mm   | Gewinde-Ø<br>thread-Ø<br>TD mm     | Gewindelänge<br>thread length<br>TL mm             | Höhe ohne Gewinlänge<br>height without thread<br>H mm | Verschraubung<br>fitting<br>SW1 mm             | Schraubkappe<br>cap<br>SW2 mm  | Außen-Ø<br>outer-Ø<br>D mm max.        | Innen-Ø<br>inner-Ø<br>D mm min.                       |                                    |                               |                                 |                                 |               |     |      |         |    |   |    |    |    |      |       |               |     |         |          |    |   |    |    |    |      |       |               |     |       |           |    |   |      |    |    |      |       |               |     |       |           |    |   |      |    |    |    |       |               |     |       |           |    |   |      |    |    |      |       |
| Z5.503.6119.0   | M16   | PG 9  | 4,0-8,0  | 16                                 | 7  | 23  | 19   | 17                             | 20,8                                   | Ø14,4   |                                    |                               |                                 |                                 |               |     |      |         |    |   |    |    |    |      |       |               |     |         |          |    |   |    |    |    |      |       |               |     |       |           |    |   |      |    |    |      |       |               |     |       |           |    |   |      |    |    |    |       |               |     |       |           |    |   |      |    |    |      |       |
| Z5.503.6219.0   | M20   | PG 13,5   | 6,0-12,0   | 20                                 | 8  | 26  | 22   | 22                             | 24,5                                   | Ø17,4   |                                    |                               |                                 |                                 |               |     |      |         |    |   |    |    |    |      |       |               |     |         |          |    |   |    |    |    |      |       |               |     |       |           |    |   |      |    |    |      |       |               |     |       |           |    |   |      |    |    |    |       |               |     |       |           |    |   |      |    |    |      |       |
| Z5.503.6319.0   | M25   | PG 16   | 10,0-14,0  | 25                                 | 8  | 27,5  | 27   | 24                             | 29,6                                   | Ø17,4   |                                    |                               |                                 |                                 |               |     |      |         |    |   |    |    |    |      |       |               |     |         |          |    |   |    |    |    |      |       |               |     |       |           |    |   |      |    |    |      |       |               |     |       |           |    |   |      |    |    |    |       |               |     |       |           |    |   |      |    |    |      |       |
| Z5.503.6419.0   | M32   | PG 21   | 13,0-18,0  | 32                                 | 9  | 32,5  | 36   | 30                             | 39                                     | Ø18,4   |                                    |                               |                                 |                                 |               |     |      |         |    |   |    |    |    |      |       |               |     |         |          |    |   |    |    |    |      |       |               |     |       |           |    |   |      |    |    |      |       |               |     |       |           |    |   |      |    |    |    |       |               |     |       |           |    |   |      |    |    |      |       |
| Z5.503.6519.0   | M40   | PG 29   | 18,0-25,0  | 40                                 | 9  | 40,6  | 46   | 41                             | 51,4                                   | Ø25,5   |                                    |                               |                                 |                                 |               |     |      |         |    |   |    |    |    |      |       |               |     |         |          |    |   |    |    |    |      |       |               |     |       |           |    |   |      |    |    |      |       |               |     |       |           |    |   |      |    |    |    |       |               |     |       |           |    |   |      |    |    |      |       |
|   |   | <p>nach/according to: DIN EN 62444 / VDE 0619</p> <p>Gewinde gemäß/thread according to: EN 60423</p> <p>Material Verschraubung/material fitting: AISI 303 / PA 6 UL94-V2</p> <p>Material Verschraubungsdichtung/material seal of fitting: CR</p> <p>Material O-Ring/material O-ring: NBR</p> <p>Schutzklasse nach/protection class according to: DIN EN 60529 IP 66-68</p> <p style="text-align: center;">frei von lackbenetzungsstörenden Substanzen (Silikonfrei)/<br/>free from substances that prevent paint adhesion (silicon free)</p> <p style="text-align: center;">Weitere Daten siehe KATALOG oder eKatalog<br/>additional data see CATALOG or eKATALOG <a href="http://www.wieland-electric.com">www.wieland-electric.com</a><br/><a href="http://eshop.wieland-electric.com">eshop.wieland-electric.com</a></p> <p><small>Toleranzsystem Size ISO 14405 © / Tolerance system Size ISO 14405 ©. jstyes <input checked="" type="checkbox"/> Stoffverbot und Deklarationsliste nach VW 50200 ist einhalten<br/>(This ISO-standard describes the envelope principle. According to the envelope principle, the deviations of form and position are limited by the size tolerances.) (Conformity with Wieland document VW 50200 is a list of prohibited /<br/>prohibited hazardous substances) to be declared)</small></p> <p>Freitoleranz nach General tolerance: <input checked="" type="checkbox"/> AD - Zeichnung, keine manuellen Änderungen allowed <input type="checkbox"/> Verwendung first use Blatt: 1 von 1 Sheet: 1 of 1</p> <table border="1" style="width:100%; border-collapse: collapse;"> <tr> <td>Werkstoff / Material</td> <td>Tag/Date</td> <td>Name</td> <td>Zeichnung Nr. / Drawing No.</td> <td>Index</td> </tr> <tr> <td>2.1</td> <td>09.05.2019</td> <td>Butterhof</td> <td>Z5.503.6119.0 13K</td> <td>a</td> </tr> </table> <p style="text-align: right;">Maße in mm / Dimensions are in mm</p> <p style="text-align: center;"><b>wieland</b><br/>www.wieland-electric.com</p> <p style="text-align: center;"><b>KABELVERSCHRAUBUNG</b><br/>Metrisch, Edelstahl<br/>metric, stainless steel</p> |  | Werkstoff / Material               | Tag/Date   | Name  | Zeichnung Nr. / Drawing No.                    | Index                          | 2.1                                    | 09.05.2019  | Butterhof                          | Z5.503.6119.0 13K             | a                               |                                 |               |     |      |         |    |   |    |    |    |      |       |               |     |         |          |    |   |    |    |    |      |       |               |     |       |           |    |   |      |    |    |      |       |               |     |       |           |    |   |      |    |    |    |       |               |     |       |           |    |   |      |    |    |      |       |
| Werkstoff / Material                                  | Tag/Date  | Name  | Zeichnung Nr. / Drawing No.  | Index                              |  |   |  |                                |  |   |                                    |                               |                                 |                                 |               |     |      |         |    |   |    |    |    |      |       |               |     |         |          |    |   |    |    |    |      |       |               |     |       |           |    |   |      |    |    |      |       |               |     |       |           |    |   |      |    |    |    |       |               |     |       |           |    |   |      |    |    |      |       |
| 2.1   | 09.05.2019  | Butterhof   | Z5.503.6119.0 13K  | a                                  |  |   |  |                                |  |   |                                    |                               |                                 |                                 |               |     |      |         |    |   |    |    |    |      |       |               |     |         |          |    |   |    |    |    |      |       |               |     |       |           |    |   |      |    |    |      |       |               |     |       |           |    |   |      |    |    |    |       |               |     |       |           |    |   |      |    |    |      |       |
| Butterhof_Z5_503_6119_0_13K-AA-01                     |   | ag_1_sheet_1 CADW403 Butterhof 2017-05-09 13.34.34 1.000 3  |  | 5                                  |  | 6   |  | QU-MEE-07/14 a                 |  |   |                                    |                               |                                 |                                 |               |     |      |         |    |   |    |    |    |      |       |               |     |         |          |    |   |    |    |    |      |       |               |     |       |           |    |   |      |    |    |      |       |               |     |       |           |    |   |      |    |    |    |       |               |     |       |           |    |   |      |    |    |      |       |