

Part number
CGT 25



PE terminal adapter, wire terminal adapter 25 mm² (AWG 4)



Product description

Product type PE terminal adapter
Specification For MIXO inserts
Nickel-plated

Technical data

Wire cross-section 25,00 mm²
AWG size 4

Further technical details

Weight 6,00 g

Material properties

RoHs conformity Compliant with exemption 6(c): copper alloy containing up to 4% lead by weight

China RoHs - EFUP 50

REACH SVHC substances Yes
Lead

SCIP number 5e01cfb1-f424-4348-b68e-90952292bfef

General ordering information

EAN13 code 8015747262644

eCl@ss 8.1 27449290

ETIM 7.0 EC000796

Packaging Information

Sub-packaging length 50,00 mm

Sub-packaging height 44,00 mm

Sub-packaging width 50,00 mm

Sub-packaging weight 0,12 kg

Sub-packaging volume 0,11 dm³

Sub-packaging description Plastic box

Sub-packaging quantity 20 Pcs

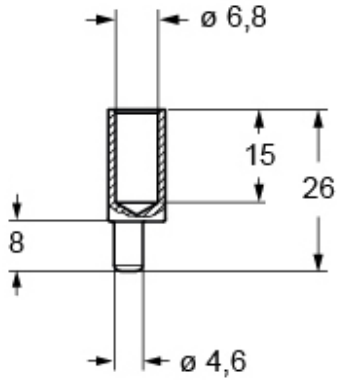
Sub-packaging EAN barcode 8015747262675

Part number

CGT 25



Catalogue drawings



Notes

Dimensions shown in mm are not binding and may be changed without notice.

California Proposition 65 Information



WARNING

This product can expose you to lead and its compounds, known to the State of California to cause cancer and/or reproductive toxicity. For more information go to www.P65Warnings.ca.gov.