

Mini-Com® Power Connector Module

specifications

The Mini-Com Power Connector Module shall be a screw-down type connector for copper conductors only, designed for use with 12–26 AWG two conductors cable consisting of (1) A-wire, and (1) B-wire. It shall be best to use cable recommended by the device manufacturer and follow their installation instructions. This connector module shall be Class 4 certified, and compatible with Class 4 power systems such as the Panduit Fault Managed Power System (FMPS).



technical information

AWG conductor:	26 AWG min/12 AWG max
Nominal current rating:	10 A
Contact resistance:	≤5 mOhms
Voltage rating:	450 V max
Electric shock protection to DIN VDE 0470:	IP 20 (safe from finger touch)
Stripping In. (mm):	0.37" (9.55mm)
Wire end ferrule, DIN 46 228/1:	0.2mm ² min/2.5mm ² max
Clamping screw:	M 2.5
Tightening torque:	0.4 Nm min/0.5 Nm max
Pitch In. (mm):	0.2" (5.08mm)
Colors:	Connector (Plug and Socket) – Green Module – Black

key features and benefits

Modularity:	Modules snap in and out of all Mini-Com consolidation point boxes, modular patch panels, and surface mount boxes for fast moves, adds, and changes
Screw terminals:	No punchdown tool required; terminates with screwdriver (SD 0.6 x 3.5 DIN 5264)
Applications:	Fault Managed Power (Class 4) installs Low voltage pass through (Class 2)
Zone application:	Provides a common demarcation point for Fault Managed Power (Class 4) and low voltage power (Class 2) for installations
Connector (Plug and Socket):	Ease of connection and disconnection of power gives the ability to segment networks

applications

The Mini-Com Power Connector Module supports deployment of the Panduit Fault Managed Power System (Class 4) and low voltage system wiring within the IT network pathways. The module creates a demarcation point for the Class 2 or Class 4 power cabling to be “patched” along with other building networks (DAS, Ethernet, Video, Audio) within the Headend, MDF, or IDF closet from the Transmitter or Class 2 power source out to the endpoints. This allows for a smooth transition to Receivers or Class 2 powered devices as they are deployed. The Mini-Com Power Connector Module easily integrates with other Panduit offerings such as Class 4 cabling, jack modules, and copper and fiber cabling systems to leverage a common network infrastructure.

Mini-Com Power Connector Module

Green with black module: PXM1ARGRBL

Opticom® Patch Panel with Mini-Com Module (Recommended for Headend Patching)

Opti-com Patch Panel: CFAPPBL1

6-port module: FMP6

Panzone Consolidation Point Box

6-port: CPB6BL

12-port: CPB12BL

Mini-Com Surface Mount Box

4-port: CBX4BL-AY

6-port: CBXF6BL-AY

12-port: CBXF6BL-AY

Insulated Ferrules – Single Wire DIN End Sleeve

18 AWG: FSD76-8-D

16 AWG: FSD78-6-D

14 AWG: FSD80-8-D

12 AWG: FSD81-10-D

Ferrule Crimping Tools

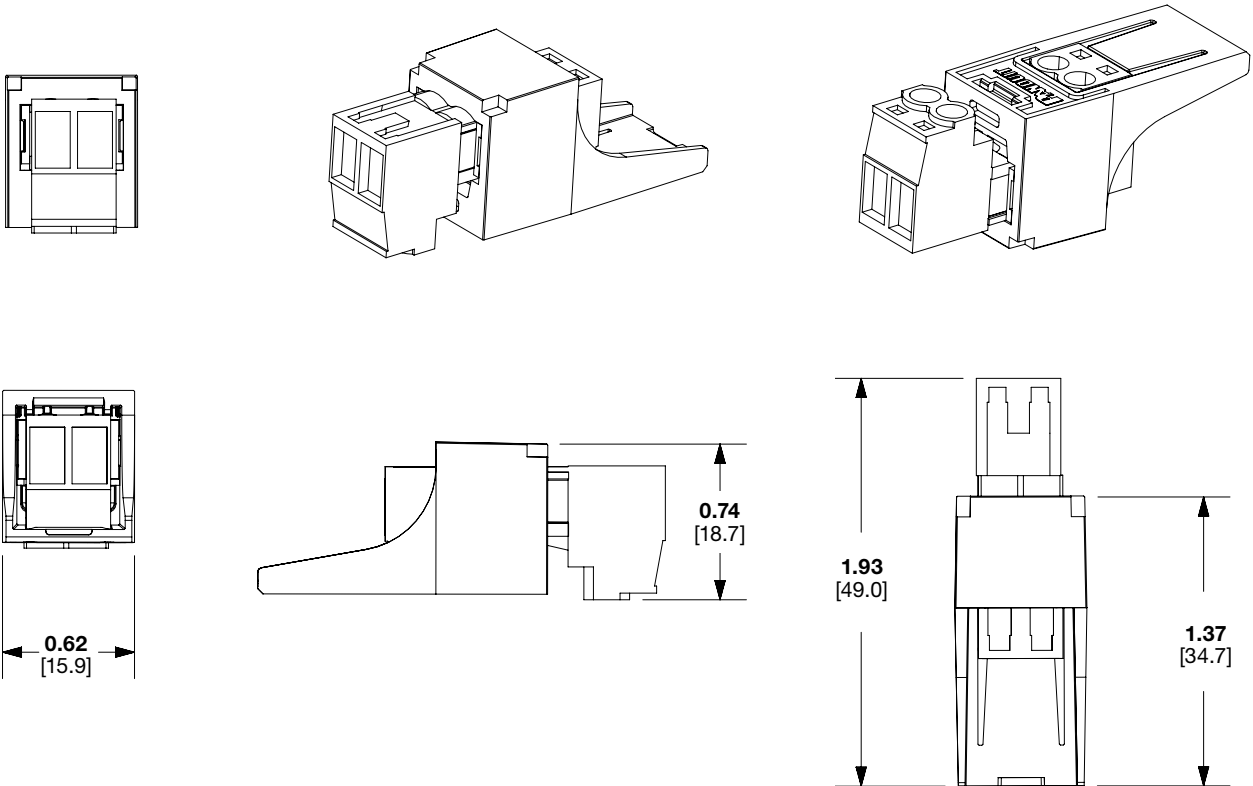
Ferrule end sleeve: CT-1123

Mini-Com® Power Connector Module

electrical performance

Parameters	Performance
Nominal Current Rating	10 A
Volume Resistance	≤5 mOhms
Voltage	450 V Max
Cable Gauge	12–26 AWG

mini-com power connector module



Dimensions are in inches. [Dimensions in brackets are metric].

WORLDWIDE SUBSIDIARIES AND SALES OFFICES

PANDUIT US/CANADA
Phone: 800.777.3300

PANDUIT EUROPE LTD.
London, UK
Phone: 44.20.8601.7200

PANDUIT SINGAPORE PTE. LTD.
Republic of Singapore
Phone: 65.6305.7575

PANDUIT JAPAN
Tokyo, Japan
Phone: 81.3.6863.6000

PANDUIT LATIN AMERICA
Guadalajara, Mexico
Phone: 52.33.3777.6000

PANDUIT AUSTRALIA PTY. LTD.
Victoria, Australia
Phone: 61.3.9794.9020

For a copy of Panduit product warranties, log on to www.panduit.com/warranty

For more information

Visit us at www.panduit.com
Contact Customer Service by email: cs@panduit.com
or by phone: 800.777.3300

PANDUIT®

© 2023 Panduit Corp.
ALL RIGHTS RESERVED.
PUSP94-WW-ENG
9/2023