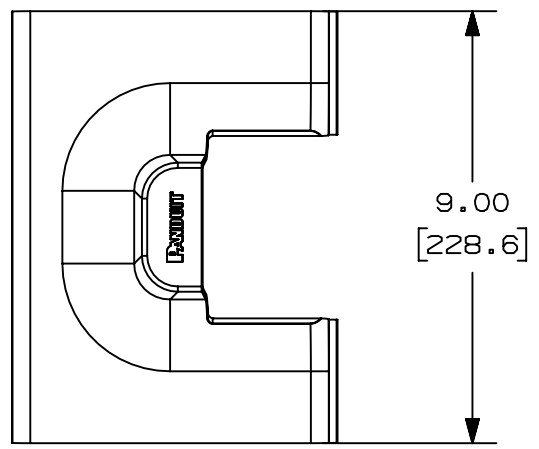


2

1

THIS COPY IS PROVIDED ON A RESTRICTED BASIS AND IS NOT TO BE USED IN ANY WAY DETRIMENTAL TO THE INTERESTS OF PANDUIT CORP.

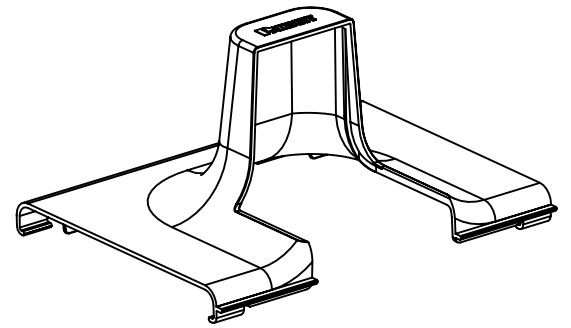
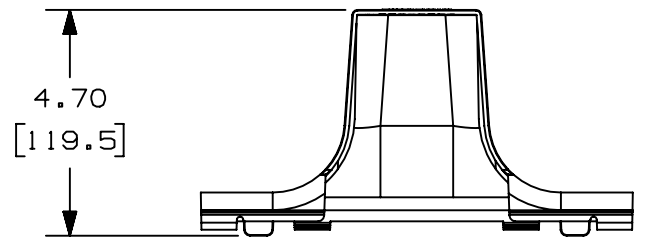
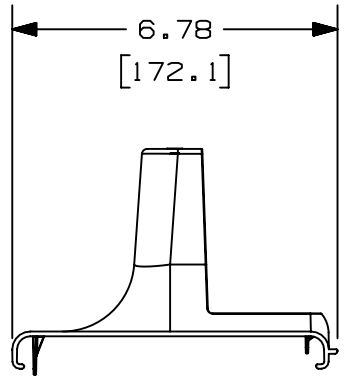


PANDUIT PART NUMBER	WEIGHT	MATERIAL
FRSPJC26**	.3 LB/EACH (136g/EACH)	ABS
FRSPJC26L**	.3 LB/EACH (136g/EACH)	PC/ABS



NOTES:

1. SEE CURRENT CATALOG FOR ADDITIONAL PART SUFFIXES TO INDICATE COLOR AND/OR PACKAGE QUANTITY.
2. DIMENSIONS IN PARENTHESES ARE IN METRIC.



B

B

A

A

ANGLOBAL_ASIZE

REV	DATE	BY	CHK	APR	DESCRIPTION	ECN
01A	1-14-20	MES	DWR	DWR	A. ADDED FRSPJC26L** PART NUMBER	V09002DZ/01

TITLE		FIBERRUNNER SPILL-OVER JUNCTION WITH 2x2 EXIT - FIBERRUNNER 6x4 CHANNEL COVER (FRSPJC26**, FRSPJC26L**) CUSTOMER DRAWING		
ITEM REVISION NAME		D39851BX/00		
DATASET FILE NAME		D39851BX_DC/01A		
UNLESS OTHERWISE SPECIFIED, DIMENSIONAL TOLERANCES ARE: IN [mm]		PANDUIT MATERIAL: SEE PART NUMBER TABLE ABOVE		
.X ± .XX ± .03 [.8]		.XXX ± ANGLES ±		
		THIRD ANGLE PROJECTION		
DRAWN BY	DATE	CHK	SCALE	DRAWING NUMBER
MSO	7-6-09	EB	NONE	39851-21
SHT 1 OF 1				SIZE
				A

2

1