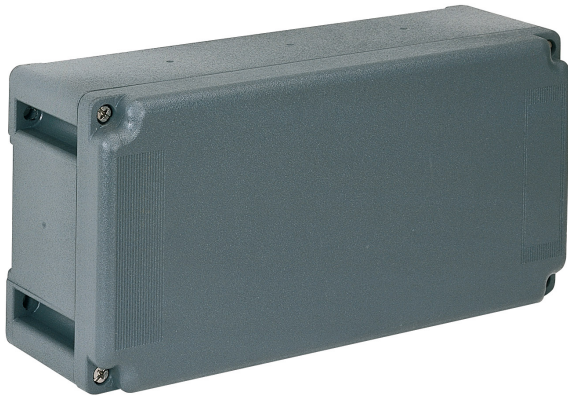


Part number

# TM 2614 DB



Box, TM series, with fixed cover, for 1 TM 1145 TB plate + 1 TM 1456 TB plate

#### Product description

<b>Product type</b>	Box
<b>Series</b>	TM
<b>Specification</b>	With fixed cover For 1 TM 1145 TB plate + 1 TM 1456 TB plate

#### Technical data

<b>IP degree of protection</b>	IP66 / IP67
<b>Further technical details</b>	
<b>Weight</b>	710,00 g
<b>Operating temperature range (min, max)</b>	-25°C ... +40°C
<b>IK rating (impact degree of protection)</b>	IK10

#### Material properties

<b>Colour</b>	RAL 7012 grey
<b>RoHs conformity</b>	Compliant with exemption 6(c): copper alloy containing up to 4% lead by weight
<b>China RoHs - EFUP</b>	50
<b>REACH SVHC substances</b>	Yes Lead
<b>SCIP number</b>	B0214dad-d2d9-4e91-a5b4-f4c9b4612083

#### General ordering information

<b>EAN13 code</b>	8015747101424
-------------------	---------------



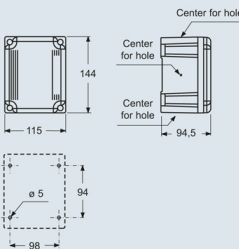
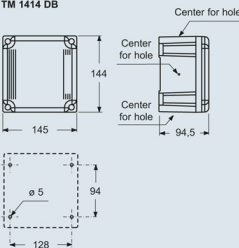
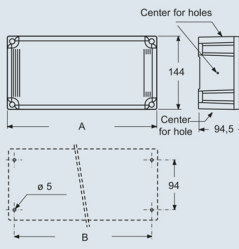
#### Packaging Information

<b>Packaging length</b>	270,00 mm
<b>Packaging height</b>	185,00 mm
<b>Packaging width</b>	210,00 mm
<b>Packaging weight</b>	1,42 kg
<b>Packaging volume</b>	10,49 dm <sup>3</sup>
<b>Packaging description</b>	Carton box
<b>Packaging quantity</b>	2 Pcs
<b>Packaging EAN code</b>	8015747101622
<b>Sub-packaging weight</b>	0,71 kg
<b>Sub-packaging description</b>	Plastic packaging
<b>Sub-packaging quantity</b>	1 Pcs
<b>Sub-packaging EAN barcode</b>	8015747101639

# Part number TM 2614 DB



## Catalogue drawings

TM complementary parts and accessories for groups													
<ul style="list-style-type: none"> <li>● Compliant with international standard IEC 60670 (Italian standard CEI 23-48)</li> <li>● In insulating self-extinguishing thermoplastic material RAL 7012 grey</li> <li>● Junction boxes suitable for the assembly of fixing plates or DIN-rail</li> <li>● Fixing plates in zinc-plated steel with fixing screws</li> <li>● Blind plug-type, fixed cover</li> <li>● With Italian Quality Mark (CEI 23-48)</li> </ul>	<p><b>Junction boxes - IP66/IP67</b></p> 	<p><b>Junction boxes - IP66/IP67</b></p> 											
<p><b>Description</b></p> <p>For <b>TM 1145 TB plate</b> - IP66/67 degree of protection (EN 60529) For <b>TM 1456 TB plate</b> - IP66/67 degree of protection (EN 60529)</p> <p>For <b>2 TM 1145 TB plates</b> - IP66/67 degree of protection (EN 60529) For <b>1 TM 1145 TB plate + 1 TM 1456 TB plate</b> - IP66/67 degree of protection (EN 60529) For <b>2 TM 1456 TB plates</b> - IP66/67 degree of protection (EN 60529)</p>	<p><b>Part No.</b></p> <p><b>TM 1114 DB ☉</b> <b>TM 1414 DB ☉</b></p>	<p><b>Part No.</b></p> <p><b>TM 2314 DB ☉</b> <b>TM 2614 DB ☉</b> <b>TM 2914 DB ☉</b></p>											
<p>dimensions in mm</p> <p><b>TM 1114 DB</b></p>  <p><b>TM 1414 DB</b></p> 	<p>dimensions in mm</p> <p><b>TM ... DB</b></p>  <table border="1" style="margin-top: 20px;"> <thead> <tr> <th>Part No.</th> <th>A</th> <th>B</th> </tr> </thead> <tbody> <tr> <td><b>TM 2314 DB</b></td> <td>230</td> <td>213</td> </tr> <tr> <td><b>TM 2614 DB</b></td> <td>280</td> <td>243</td> </tr> <tr> <td><b>TM 2914 DB</b></td> <td>290</td> <td>273</td> </tr> </tbody> </table>	Part No.	A	B	<b>TM 2314 DB</b>	230	213	<b>TM 2614 DB</b>	280	243	<b>TM 2914 DB</b>	290	273
Part No.	A	B											
<b>TM 2314 DB</b>	230	213											
<b>TM 2614 DB</b>	280	243											
<b>TM 2914 DB</b>	290	273											
<p>Dimensions indicated are not binding and may be changed without prior notice.</p>													

## Notes

Dimensions shown in mm are not binding and may be changed without notice.