


Part number

SQE 3264.5



Interlocked switched socket-outlet, SQE series, 3 poles + PE, 6 h (red), 32 A, 380 ÷ 415 V, without fuse-carrier

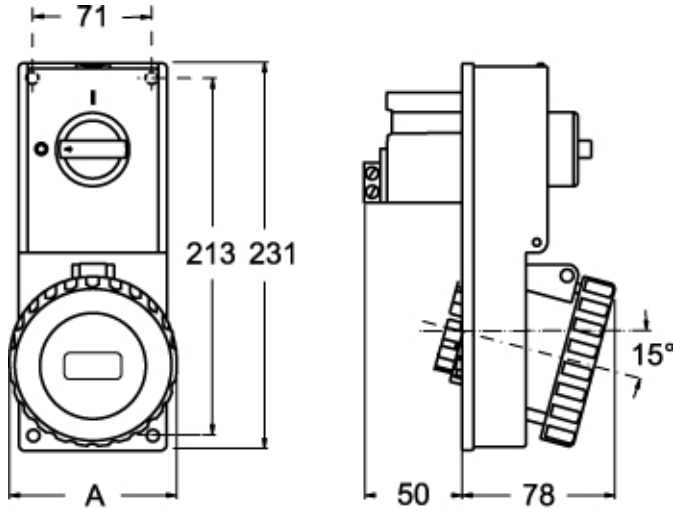
Product description		Material properties	
Product type	Interlocked switched socket-outlet	Colour	RAL 7035 grey, RAL 3000 red
Series	SQE		Compliant with exemption 6(c): copper alloy containing up to 4% lead by weight
N. of poles	3 poles + 	RoHs conformity	6(c): copper alloy containing up to 4% lead by weight
Clock position	6	China RoHs - EFUP	50
Size	Socket fixing centre distance 88 x 230 mm	REACH SVHC substances	Yes Lead
Specification	Without fuse-carrier	SCIP number	Ce861c8d-b979-403b-96d9-80aef6dc281d
Technical data		Approvals / Standards	
Current	32 A	Reference standard	EN 60309-1, -2 e -4
Voltage	380 ÷ 415 V	General ordering information	
IP degree of protection	IP55	EAN13 code	8015747086769
Further technical details		Packaging Information	
Weight	640,00 g	Packaging length	380,00 mm
Operating temperature range (min, max)	-25°C ... +40°C	Packaging height	250,00 mm
IK rating (impact degree of protection)	IK08	Packaging width	295,00 mm
		Packaging weight	5,76 kg
		Packaging volume	28,03 dm ³
		Packaging description	Carton box
		Packaging quantity	9 Pcs
		Packaging EAN code	8015747086776
		Sub-packaging weight	0,64 kg
		Sub-packaging description	Plastic packaging
		Sub-packaging quantity	1 Pcs
		Sub-packaging EAN barcode	8015747086783

Part number

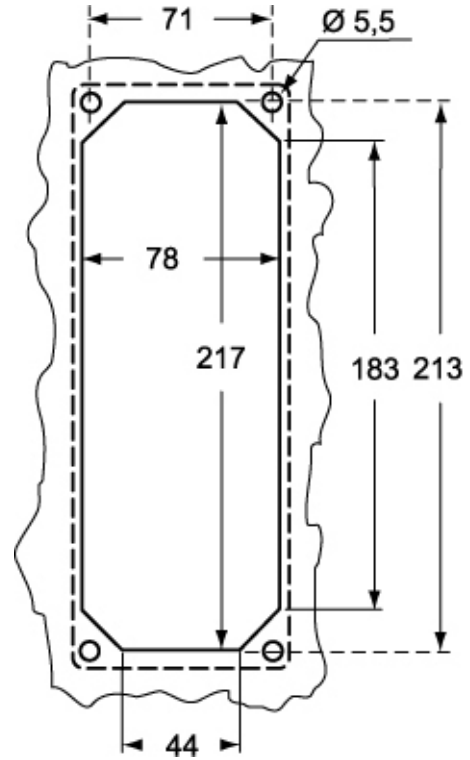
SQE 3264.5



Catalogue drawings



Catalogue drawings



SQE.5		A
32A	2P+⊕	92
	3P+⊕	92
	3P+N+⊕	100

Notes

Dimensions shown in mm are not binding and may be changed without notice.