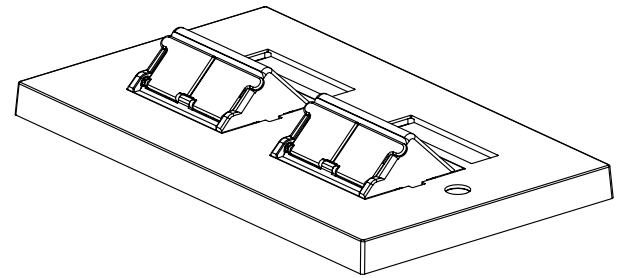
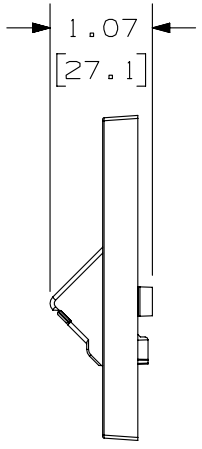
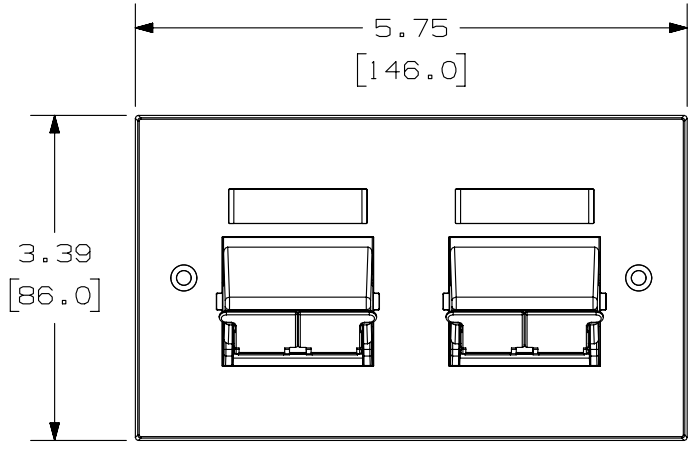


THIS COPY IS PROVIDED ON A RESTRICTED BASIS AND IS NOT TO BE USED IN ANY WAY DETRIMENTAL TO THE INTERESTS OF PANDUIT CORP.

PANDUIT P/N	WEIGHT
NKUKS4S**-2G	.74 LB/10 PCS (337 g/10 PCS)

NOTES:

1. SEE CURRENT CATALOG FOR ADDITIONAL PART NUMBER SUFFIXES TO INDICATE COLOR AND OR PACKAGE QUANTITY.
2. SEE CATALOG FOR COMPLETE LIST OF PARTS APPLICABLE FOR USE WITH THIS PART.
3. DIMENSIONS IN PARENTHESES ARE IN METRIC.
4. PART INCLUDES:
  - 1- 86mm x 146mm FACEPLATE FRAME
  - 2- 2 POSITION NETKEY SLOPED SHUTTERED 1/2 INSERT
  - 2- LABEL
  - 2- LABEL COVER
  - 2- MOUNTING SCREW



PART NUMBER		NKUKS4S** - 2G	
TITLE			
NETKEY 4 POSITION DOUBLE GANG UK SLOPED SHUTTERED FACEPLATE KIT		CUSTOMER DRAWING	
ITEM REVISION NAME		M02463AC/00	
DATASET FILE NAME		M02463AC_DC04/00B	
UNLESS OTHERWISE SPECIFIED, DIMENSIONAL TOLERANCES ARE: IN [ mm ]		MATERIAL:	
.x ± .xxx ± .010 [ .3 ]		BEZEL/INSERT - ABS	
.xx ± .03 [ .8 ]		DRAWING NUMBER:	
ANGLES ±		02463-04	
THIRD ANGLE PROJECTION		SHT 1 OF 1	
DRAWN BY	DATE	CHK	SCALE
JSP	6-17-06	EB	NONE
REV	DATE	BY	CHK
1	5-23-14	MDJR	REFR
R	6-17-06	JSP	EB

REV	DATE	BY	CHK	APR	DESCRIPTION	ECN
1	5-23-14	MDJR	REFR	JCK	A. UPDATED TITLE BLOCK.	02463-04
R	6-17-06	JSP	EB	EB	RELEASED TO PRODUCTION	02463-04

D10100DA/14