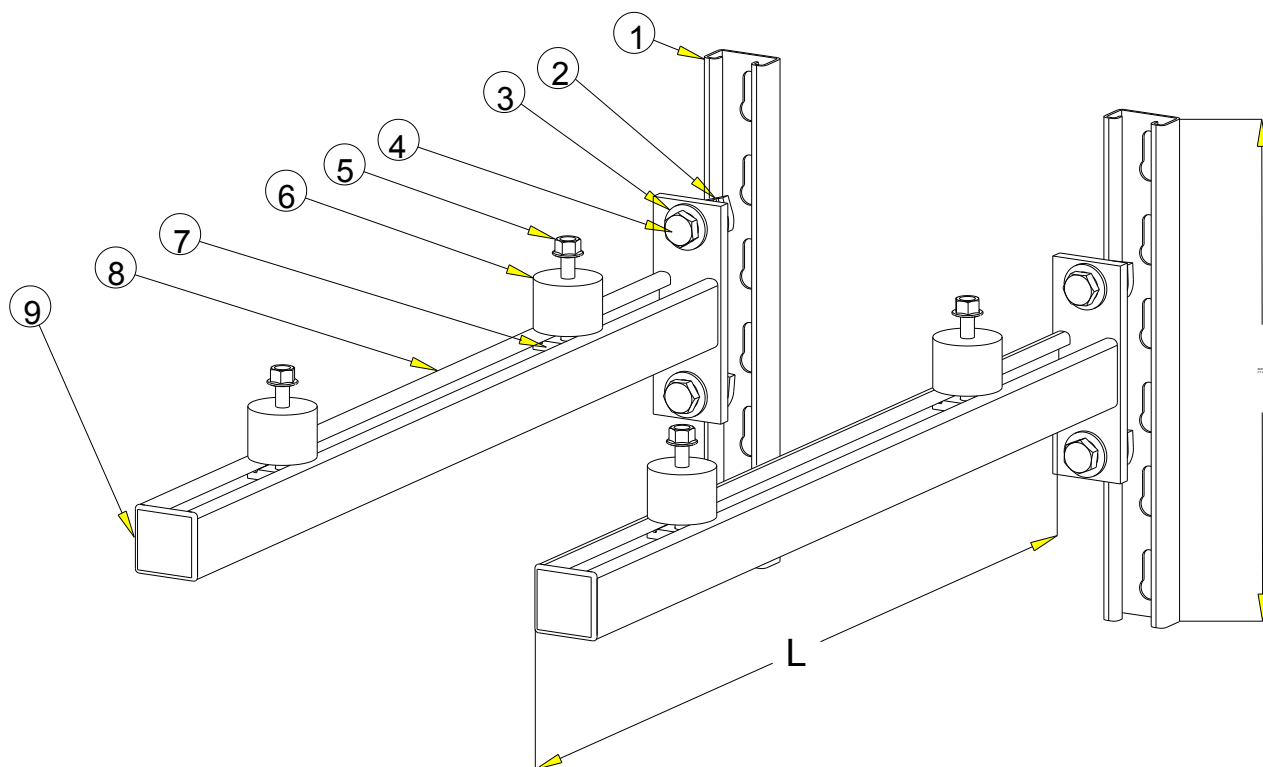


FT0661-0

11 13



REF	CODE	POIDS (Kg/m)	WEIGHT (lb/ft)	L (mm)	L (inch)
KITCLIM LG 600	558 810	4.626	3.113	600	23.64
KITCLIM LG 400	558 800	3.586	2.413	400	15.76

Composant/ Component	Code	Nb/Qty	Designation	
KITCLIM LG 600	1	301 558 800	2	RAIL 41X21 LG 300
	2	801 831	0.04	ECROU 41 M12
	3	801 531	0.04	RONDELLE M12
	4	801 401	0.04	VIS HM 12X25
	5	801 211	0.04	ECROU HM8 A EMBASE
	6	309 200	4	PATIN ANTIVIBRATOIRE M8 AC/C A4030DM8
	7	801 811	0.04	ECROU 41 M8
	8	595 063	2	CONSOLE 41X41 LG 600
	9	559 625	0.04	EMBOU PLASTIQUE R41S
	10	307 117 680	1	BOX B15
KITCLIM LG 400	1	301 558 800	2	RAIL 41X21 LG 300
	2	801 831	0.04	ECROU 41 M12
	3	801 531	0.04	RONDELLE M12
	4	801 401	0.04	VIS HM 12X25
	5	801 211	0.04	ECROU HM8 A EMBASE
	6	309 200	4	PATIN ANTIVIBRATOIRE M8 AC/C A4030DM8
	7	801 811	0.04	ECROU 41 M8
	8	595 043	2	CONSOLE 41X41 LG 400
	9	559 625	0.04	EMBOU PLASTIQUE R41S
	10	307 116 700	1	BOX B3TER