



|                                       |                           |                           |                           |
|---------------------------------------|---------------------------|---------------------------|---------------------------|
| Product designation                   | Three-phase energy meters |                           |                           |
| Product type designation              | DMED341MID7               |                           |                           |
| Type                                  | Three-phase + neutral     |                           |                           |
| DIN rail module number                | 4                         |                           |                           |
| <b>Auxiliary supply Us</b>            |                           |                           |                           |
| Operational frequency                 | min                       | Hz                        | 50                        |
| Power consumption                     | Max                       | VA                        | 20                        |
| Power dissipation Max                 |                           | W                         | 1.35                      |
| <b>Measuring voltage inputs</b>       |                           |                           |                           |
| Rated voltage (Ue)                    | phase-phase               | VAC                       | 400                       |
|                                       | phase-neutral             | VAC                       | 230                       |
| Operating voltage range               | phase-phase               | VAC                       | 323...456                 |
|                                       | phase-neutral             | VAC                       | 187...264                 |
| Connection method                     | Direct                    |                           |                           |
| <b>Current</b>                        |                           |                           |                           |
| IEC maximum (Imax)                    |                           | A                         | 80                        |
| IEC minimum (Imin)                    |                           | A                         | 0.5                       |
| IEC rated (Iref-Ib)                   |                           | A                         | 10                        |
| IEC start (Ist)                       |                           | mA                        | 40                        |
| Transition (Itr)                      |                           | A                         | 1                         |
| <b>Accuracy</b>                       |                           |                           |                           |
|                                       | Active energy             | Class B (EN 50470-3)      |                           |
|                                       | Reactive energy           | Class 2 (IEC/EN 62053-23) |                           |
| <b>RS485 serial interface</b>         |                           |                           |                           |
| Baud rate                             |                           | bps                       | Programmable 1200...38400 |
| <b>Insulations</b>                    |                           |                           |                           |
| Rated insulation voltage Ui IEC/EN    |                           | V                         | 300                       |
| Rated impulse withstand voltage Uimp  |                           | kV                        | 6                         |
| Operating frequency withstand voltage |                           | kV                        | 4                         |
| <b>Mechanical features</b>            |                           |                           |                           |
| Housing type                          | Polyamide                 |                           |                           |
| Terminals type                        | Fixed                     |                           |                           |
| Conductor cross section               | min                       | mm <sup>2</sup>           | 2.5                       |
|                                       | Max                       | mm <sup>2</sup>           | 25                        |
|                                       | min                       | AWG                       | 14                        |
|                                       | Max                       | AWG                       | 4                         |

Tightening torque (Max)

|      |      |
|------|------|
| Nm   | 2    |
| lbin | 17.7 |

Fixing

Din rail

Weight

|   |     |
|---|-----|
| g | 360 |
|---|-----|

Ambient conditions

Temperature

Operating temperature

|     |    |     |
|-----|----|-----|
| min | °C | -25 |
| max | °C | +70 |

Storage temperature

|     |    |     |
|-----|----|-----|
| min | °C | -25 |
| max | °C | +70 |

Relative humidity

|   |     |
|---|-----|
| % | <80 |
|---|-----|

Maximum Pollution degree

2

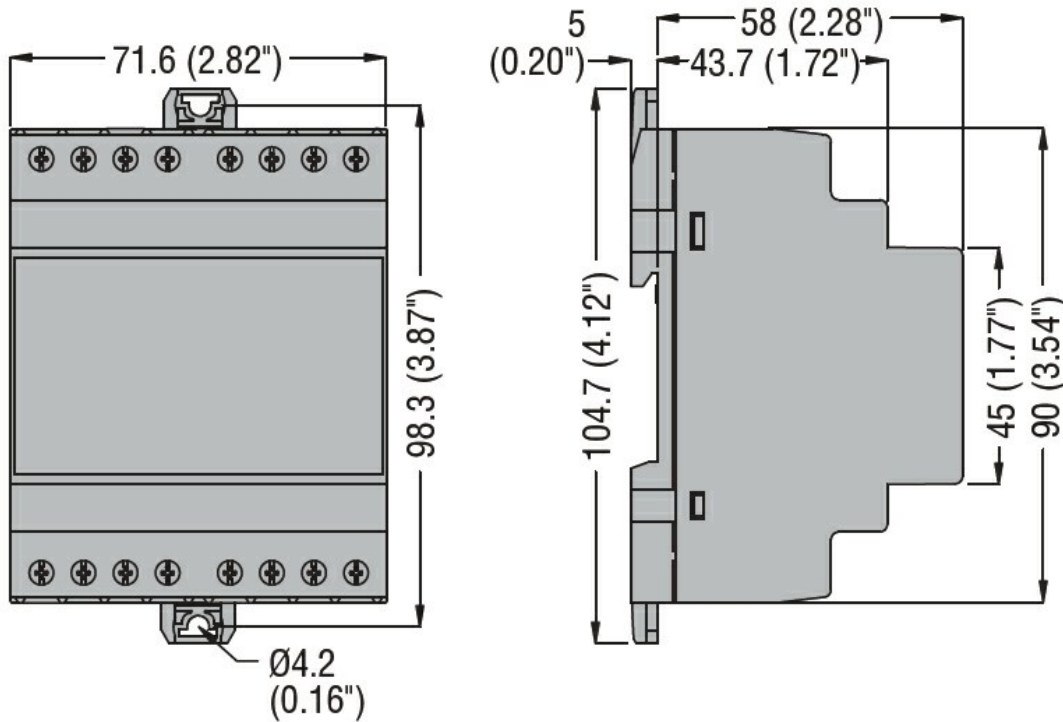
Mechanical environment

Class M1

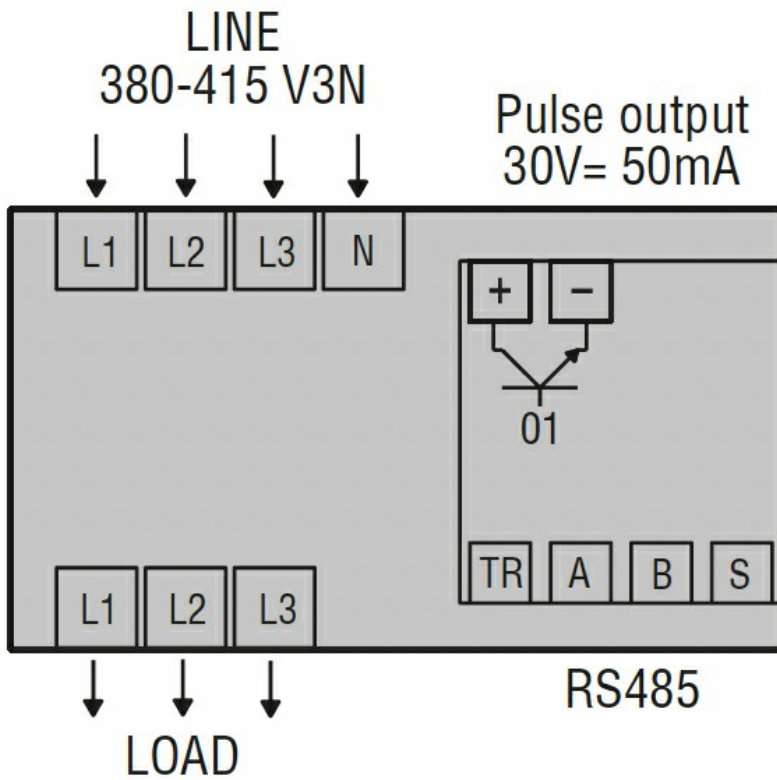
Magnetic environment

Class E2

Dimensions



Wiring diagrams



### Certifications and compliance

#### Compliance

BS EN 50470-3  
IEC/EN/BS 62052-11  
IEC/EN/BS 62052-31  
VDE-AR-E 2418-3-100

#### Certificates

EAC  
MID (moduli B + D)  
MIR

### ETIM classification

ETIM 8.0

EC001506 -  
Kilowatt-hour  
meter