



Grey control station LPZP2A8 complete with white flush pushbutton "right arrow" LPCB1148 1NO and black flush pushbutton "left arrow" LPCB1142 1NO LPZP2B8903

Product designation

Product type designation

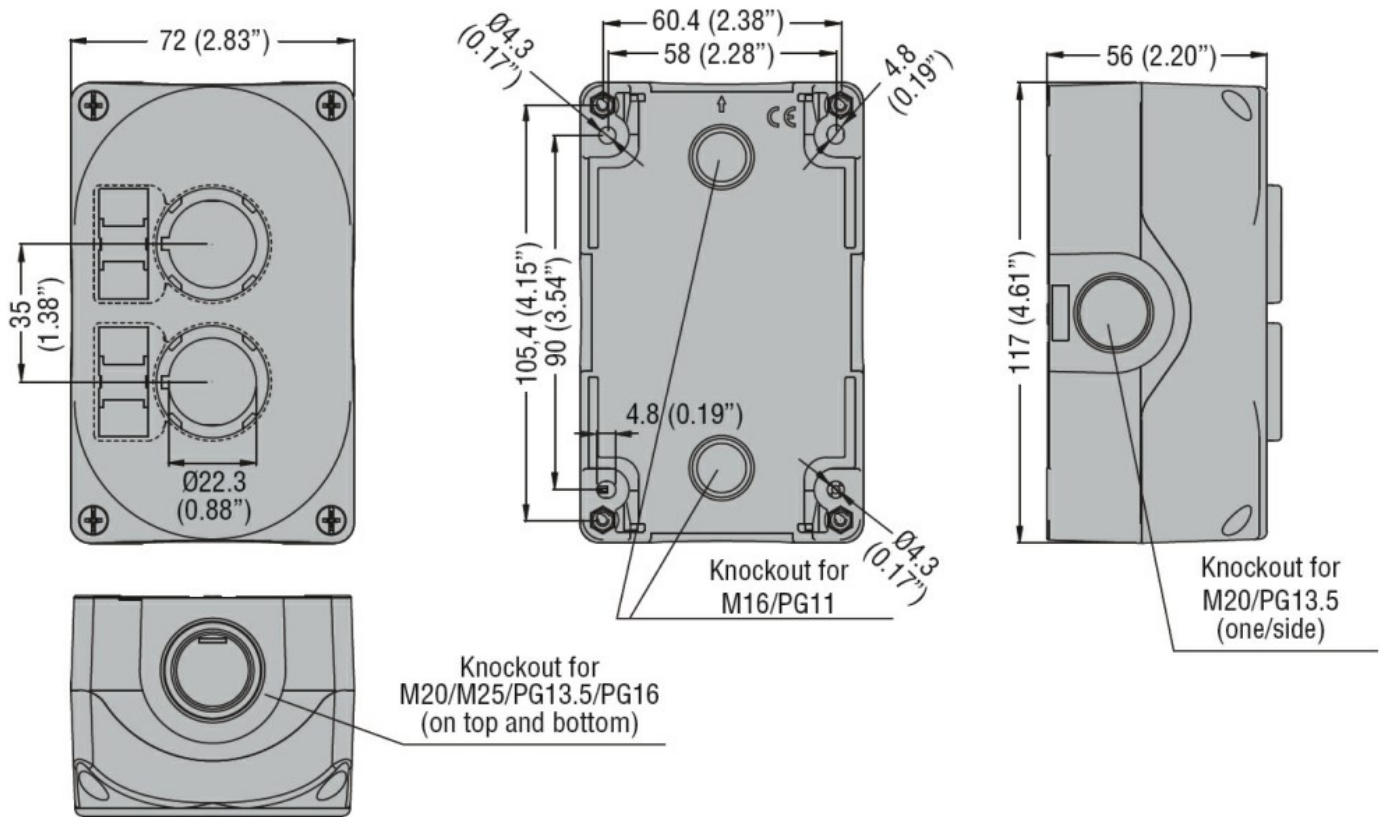
General characteristics

Colour	Grey
Material	Polycarbonate
IEC degree of protection	IP66, IP67, IP69K

Ambient conditions

Temperature	Operating temperature	min	°C	-25
		max	°C	+70
	Storage temperature	min	°C	-40
		max	°C	+85

Dimensions



Certifications and compliance

Certificates

cULus

ETIM classification

ETIM 8.0

EC000225 -
Control circuit
devices
combination in
enclosure