

Part number

MVAP 24LSP40



Surface mounting housing, V-TYPE series, with 1 lever, M40 cable entry, size "104.27", high construction, with SIMPLEX self-closing cover

Product description

| | |
|----------------------|--|
| Product type | Surface mounting housing |
| Series | V-TYPE |
| Closing type | With 1 lever |
| Size | Size 104.27 |
| Cable entry | With cable entry M40 |
| Specification | High construction, with SIMPLEX self-closing cover |

Technical data

| | |
|---|----------------|
| IP degree of protection | IP65 |
| Further technical details | |
| Weight | 527,00 g |
| Operating temperature range (min, max) | -40°C...+125°C |

Material properties

| | |
|------------------------------|---------------------------------------|
| Other materials | Lever: Stainless steel Gasket: NBR |
| Colour | RAL 7040 grey |
| RoHs conformity | Compliant |
| China RoHs - EFUP | E |
| REACH SVHC substances | No |

Approvals / Standards

| | |
|-----------------------|---------|
| Certifications | DNV, BV |
| UL | ECBT2 |
| cUL | ECBT8 |

General ordering information

| | |
|-------------------|---------------|
| EAN13 code | 8015747229456 |
| eCl@ss 8.1 | 27440202 |
| ETIM 7.0 | EC000437 |

Packaging Information

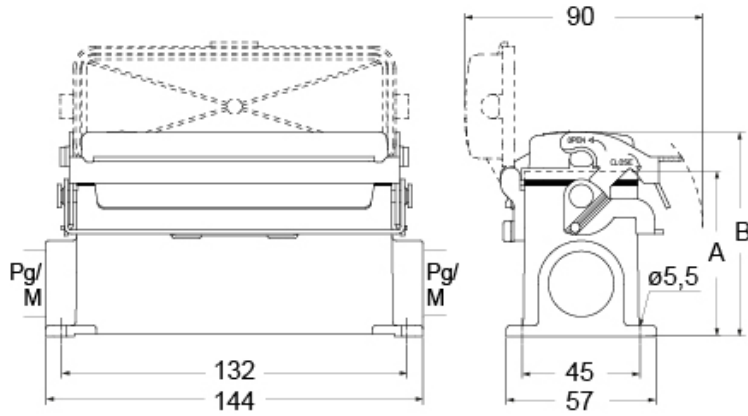
| | |
|----------------------------------|-----------------------|
| Packaging weight | 5,28 kg |
| Packaging volume | 20,90 dm ³ |
| Packaging description | Carton box |
| Packaging quantity | 10 Pcs |
| Packaging EAN code | 8015747229609 |
| Sub-packaging weight | 2,64 kg |
| Sub-packaging description | Plastic packaging |
| Sub-packaging quantity | 5 Pcs |
| Sub-packaging EAN barcode | 8015747229616 |

Part number

MVAP 24LSP40



Catalogue drawings



| part No. | A | B |
|---------------------------|----|----|
| CVP / MVP 24 LSP | 63 | 78 |
| CVAP / MVAP 24 LSP | 81 | 96 |

Notes

Dimensions shown in mm are not binding and may be changed without notice.